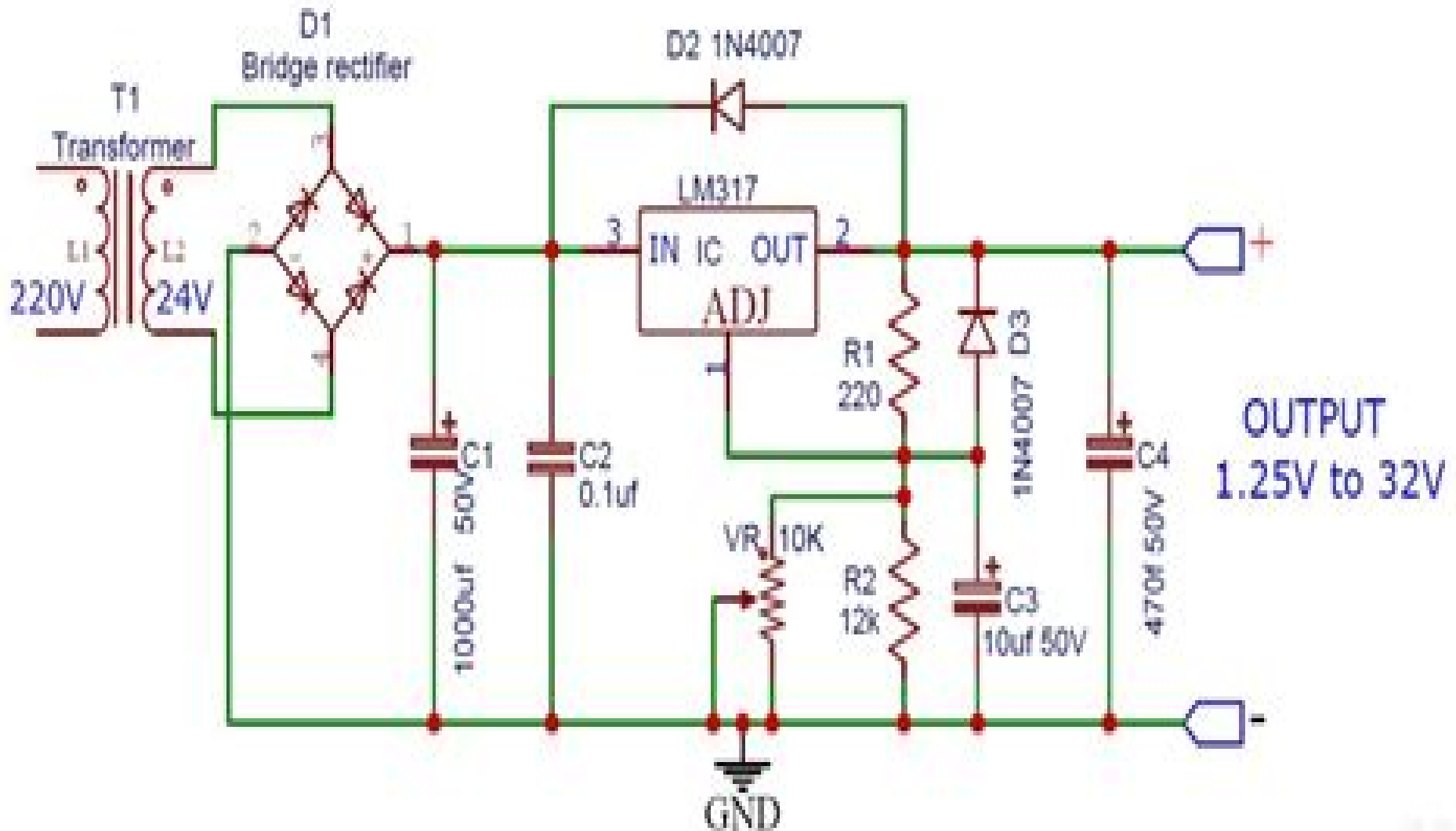


LM317 Adjustable Power Supply Circuit



Lm317 Adjustable Power Supply Schematic

Brendan G. Carr



Lm317 Adjustable Power Supply Schematic:

Embracing the Beat of Term: An Psychological Symphony within **Lm317 Adjustable Power Supply Schematic**

In some sort of used by screens and the ceaseless chatter of immediate communication, the melodic elegance and psychological symphony created by the prepared term often diminish in to the backdrop, eclipsed by the relentless noise and disturbances that permeate our lives. However, nestled within the pages of **Lm317 Adjustable Power Supply Schematic** a stunning literary treasure overflowing with raw feelings, lies an immersive symphony waiting to be embraced. Constructed by a masterful musician of language, that captivating masterpiece conducts visitors on an emotional journey, well unraveling the concealed songs and profound impact resonating within each cautiously constructed phrase. Within the depths with this poignant examination, we can examine the book is main harmonies, analyze their enthralling publishing model, and surrender ourselves to the profound resonance that echoes in the depths of readers souls.

https://staging.conocer.cide.edu/data/uploaded-files/HomePages/health_benefits_of_grapeseed.pdf

Table of Contents Lm317 Adjustable Power Supply Schematic

1. Understanding the eBook Lm317 Adjustable Power Supply Schematic
 - The Rise of Digital Reading Lm317 Adjustable Power Supply Schematic
 - Advantages of eBooks Over Traditional Books
2. Identifying Lm317 Adjustable Power Supply Schematic
 - Exploring Different Genres
 - Considering Fiction vs. Non-Fiction
 - Determining Your Reading Goals
3. Choosing the Right eBook Platform
 - Popular eBook Platforms
 - Features to Look for in an Lm317 Adjustable Power Supply Schematic
 - User-Friendly Interface
4. Exploring eBook Recommendations from Lm317 Adjustable Power Supply Schematic
 - Personalized Recommendations

- Lm317 Adjustable Power Supply Schematic User Reviews and Ratings
- Lm317 Adjustable Power Supply Schematic and Bestseller Lists
- 5. Accessing Lm317 Adjustable Power Supply Schematic Free and Paid eBooks
 - Lm317 Adjustable Power Supply Schematic Public Domain eBooks
 - Lm317 Adjustable Power Supply Schematic eBook Subscription Services
 - Lm317 Adjustable Power Supply Schematic Budget-Friendly Options
- 6. Navigating Lm317 Adjustable Power Supply Schematic eBook Formats
 - ePub, PDF, MOBI, and More
 - Lm317 Adjustable Power Supply Schematic Compatibility with Devices
 - Lm317 Adjustable Power Supply Schematic Enhanced eBook Features
- 7. Enhancing Your Reading Experience
 - Adjustable Fonts and Text Sizes of Lm317 Adjustable Power Supply Schematic
 - Highlighting and Note-Taking Lm317 Adjustable Power Supply Schematic
 - Interactive Elements Lm317 Adjustable Power Supply Schematic
- 8. Staying Engaged with Lm317 Adjustable Power Supply Schematic
 - Joining Online Reading Communities
 - Participating in Virtual Book Clubs
 - Following Authors and Publishers Lm317 Adjustable Power Supply Schematic
- 9. Balancing eBooks and Physical Books Lm317 Adjustable Power Supply Schematic
 - Benefits of a Digital Library
 - Creating a Diverse Reading Collection Lm317 Adjustable Power Supply Schematic
- 10. Overcoming Reading Challenges
 - Dealing with Digital Eye Strain
 - Minimizing Distractions
 - Managing Screen Time
- 11. Cultivating a Reading Routine Lm317 Adjustable Power Supply Schematic
 - Setting Reading Goals Lm317 Adjustable Power Supply Schematic
 - Carving Out Dedicated Reading Time
- 12. Sourcing Reliable Information of Lm317 Adjustable Power Supply Schematic
 - Fact-Checking eBook Content of Lm317 Adjustable Power Supply Schematic

- Distinguishing Credible Sources
13. Promoting Lifelong Learning
 - Utilizing eBooks for Skill Development
 - Exploring Educational eBooks
 14. Embracing eBook Trends
 - Integration of Multimedia Elements
 - Interactive and Gamified eBooks

Lm317 Adjustable Power Supply Schematic Introduction

Free PDF Books and Manuals for Download: Unlocking Knowledge at Your Fingertips In today's fast-paced digital age, obtaining valuable knowledge has become easier than ever. Thanks to the internet, a vast array of books and manuals are now available for free download in PDF format. Whether you are a student, professional, or simply an avid reader, this treasure trove of downloadable resources offers a wealth of information, conveniently accessible anytime, anywhere. The advent of online libraries and platforms dedicated to sharing knowledge has revolutionized the way we consume information. No longer confined to physical libraries or bookstores, readers can now access an extensive collection of digital books and manuals with just a few clicks. These resources, available in PDF, Microsoft Word, and PowerPoint formats, cater to a wide range of interests, including literature, technology, science, history, and much more. One notable platform where you can explore and download free Lm317 Adjustable Power Supply Schematic PDF books and manuals is the internet's largest free library. Hosted online, this catalog compiles a vast assortment of documents, making it a veritable goldmine of knowledge. With its easy-to-use website interface and customizable PDF generator, this platform offers a user-friendly experience, allowing individuals to effortlessly navigate and access the information they seek. The availability of free PDF books and manuals on this platform demonstrates its commitment to democratizing education and empowering individuals with the tools needed to succeed in their chosen fields. It allows anyone, regardless of their background or financial limitations, to expand their horizons and gain insights from experts in various disciplines. One of the most significant advantages of downloading PDF books and manuals lies in their portability. Unlike physical copies, digital books can be stored and carried on a single device, such as a tablet or smartphone, saving valuable space and weight. This convenience makes it possible for readers to have their entire library at their fingertips, whether they are commuting, traveling, or simply enjoying a lazy afternoon at home. Additionally, digital files are easily searchable, enabling readers to locate specific information within seconds. With a few keystrokes, users can search for keywords, topics, or phrases, making research and finding relevant information a breeze. This efficiency saves time and effort, streamlining the learning process and allowing individuals to

focus on extracting the information they need. Furthermore, the availability of free PDF books and manuals fosters a culture of continuous learning. By removing financial barriers, more people can access educational resources and pursue lifelong learning, contributing to personal growth and professional development. This democratization of knowledge promotes intellectual curiosity and empowers individuals to become lifelong learners, promoting progress and innovation in various fields. It is worth noting that while accessing free Lm317 Adjustable Power Supply Schematic PDF books and manuals is convenient and cost-effective, it is vital to respect copyright laws and intellectual property rights. Platforms offering free downloads often operate within legal boundaries, ensuring that the materials they provide are either in the public domain or authorized for distribution. By adhering to copyright laws, users can enjoy the benefits of free access to knowledge while supporting the authors and publishers who make these resources available. In conclusion, the availability of Lm317 Adjustable Power Supply Schematic free PDF books and manuals for download has revolutionized the way we access and consume knowledge. With just a few clicks, individuals can explore a vast collection of resources across different disciplines, all free of charge. This accessibility empowers individuals to become lifelong learners, contributing to personal growth, professional development, and the advancement of society as a whole. So why not unlock a world of knowledge today? Start exploring the vast sea of free PDF books and manuals waiting to be discovered right at your fingertips.

FAQs About Lm317 Adjustable Power Supply Schematic Books

1. Where can I buy Lm317 Adjustable Power Supply Schematic books? Bookstores: Physical bookstores like Barnes & Noble, Waterstones, and independent local stores. Online Retailers: Amazon, Book Depository, and various online bookstores offer a wide range of books in physical and digital formats.
2. What are the different book formats available? Hardcover: Sturdy and durable, usually more expensive. Paperback: Cheaper, lighter, and more portable than hardcovers. E-books: Digital books available for e-readers like Kindle or software like Apple Books, Kindle, and Google Play Books.
3. How do I choose a Lm317 Adjustable Power Supply Schematic book to read? Genres: Consider the genre you enjoy (fiction, non-fiction, mystery, sci-fi, etc.). Recommendations: Ask friends, join book clubs, or explore online reviews and recommendations. Author: If you like a particular author, you might enjoy more of their work.
4. How do I take care of Lm317 Adjustable Power Supply Schematic books? Storage: Keep them away from direct sunlight and in a dry environment. Handling: Avoid folding pages, use bookmarks, and handle them with clean hands. Cleaning: Gently dust the covers and pages occasionally.

5. Can I borrow books without buying them? Public Libraries: Local libraries offer a wide range of books for borrowing. Book Swaps: Community book exchanges or online platforms where people exchange books.
6. How can I track my reading progress or manage my book collection? Book Tracking Apps: Goodreads, LibraryThing, and Book Catalogue are popular apps for tracking your reading progress and managing book collections. Spreadsheets: You can create your own spreadsheet to track books read, ratings, and other details.
7. What are Lm317 Adjustable Power Supply Schematic audiobooks, and where can I find them? Audiobooks: Audio recordings of books, perfect for listening while commuting or multitasking. Platforms: Audible, LibriVox, and Google Play Books offer a wide selection of audiobooks.
8. How do I support authors or the book industry? Buy Books: Purchase books from authors or independent bookstores. Reviews: Leave reviews on platforms like Goodreads or Amazon. Promotion: Share your favorite books on social media or recommend them to friends.
9. Are there book clubs or reading communities I can join? Local Clubs: Check for local book clubs in libraries or community centers. Online Communities: Platforms like Goodreads have virtual book clubs and discussion groups.
10. Can I read Lm317 Adjustable Power Supply Schematic books for free? Public Domain Books: Many classic books are available for free as they're in the public domain. Free E-books: Some websites offer free e-books legally, like Project Gutenberg or Open Library.

Find Lm317 Adjustable Power Supply Schematic :

health benefits of grapeseed

[hb castle conundrum](#)

[haynes toyota pick-up owners workshop manual 69-78](#)

he included me the autobiography of sarah rice

[health and social services among international labor migrants a comparative perspective](#)

healing your heart of painful emotions

[hbj treasury of literature feast your eyes grade 4 writers journal](#)

he is my shepherd the 23rd psalm for children

he came with the couch

~~hawks aloft the story of hawk mountain~~

[head trips](#)

[hcpcs 1997 level ii code](#)

health and fitness assessment guide grade 6

healing anxiety naturally

headlines iii not the movie still the

Lm317 Adjustable Power Supply Schematic :

solved anyconnect sccm deployment cisco community - Jan 09 2023

web feb 9 2017 go to solution djibril diop beginner options 02 09 2017 02 43 am hello community i need to deploy two packages with sccm one with vpn module and web security and one without vpn module and web security do anyone know a detection method via wmi registry key or filesystem to differentiate both packages

anyconnect secure mobility client features licenses and oss cisco - Jul 03 2022

web updated june 28 2021 bias free language table of contents anyconnect secure mobility client features licenses and oss release 4 10 supported operating systems supported cryptographic algorithms tls 1 2 and dtls 1 2 cipher suites vpn tls 1 2 cipher suites network access manager dtls 1 0 cipher suites vpn ikev2 ipsec

anyconnect software distribution through sccm for cisco - Nov 07 2022

web jul 8 2022 go to solution rsa ire nac beginner options 07 08 2022 10 32 am edited 07 08 2022 10 49 am hi team we are currently in going to deploy anyconnect posture agent in customer domain joined windows machines we will be installing modules core vpn ise posture dart module

cisco anyconnect deployment guide sccm pdf - Mar 31 2022

web cisco anyconnect deployment guide sccm cisco next generation security solutions apr 14 2021 network threats are emerging and changing faster than ever before cisco next generation network security technologies give you all the visibility and control you need to anticipate and meet tomorrow s threats wherever they appear

cisco anyconnect deployment guide sccm book - May 01 2022

web cisco anyconnect deployment guide sccm cisco firepower threat defense ftd aug 12 2020 the authoritative visual guide to cisco firepower threat defense ftd this is the definitive guide to best practices and advanced troubleshooting techniques for the cisco flagship firepower threat defense

cisco secure client including anyconnect administrator guide - Feb 10 2023

web oct 27 2023 enable fips in the local policy cisco secure client on mobile devices cisco secure client customer experience feedback module troubleshoot cisco secure client appendix cisco secure client changes related to macos 11 and later cisco secure client including anyconnect administrator guide release 5 1

anyconnect installation guide cisco - Oct 06 2022

web anyconnect installation guide the cisco anyconnect vpn client provides a method for sandbox users to create a secure vpn connection to a sandbox lab this document will guide users through the installation process for the anyconnect client software on windows mac os and linux contents

[cisco secure client including anyconnect administrator guide](#) - Jul 15 2023

web jul 31 2023 the cisco secure client can be deployed to remote users by the following methods predeploy new installations and upgrades are done either by the end user or by using an enterprise software management system sms this deployment option offers no cloud management

anyconnection deployment via sccm cisco community - Aug 04 2022

web mar 12 2019 beginner 02 14 2018 05 25 pm edited 03 12 2019 05 01 am hi we have sccm and we use it to deploy the software to our users machines we are upgrading our anyconnect vpn client from version 3 5 to 4 5 does the user need to connect to the office network to get the ac upgraded

cisco secure client aka anyconnect group policy based deployment - Apr 12 2023

web oct 23 2023 deploying cisco secure client formerly known as cisco anyconnect using group policy can be challenging as there are so many limited documents related to this method all the provided methods are based on microsoft sccm that follow different

[cisco anyconnect secure mobility client administrator guide](#) - Sep 05 2022

web jun 30 2015 the cisco anyconnect secure mobility client can be deployed to remote users by the following methods predeploy new installations and upgrades are done either by the end user or by using an enterprise software management system sms

cisco anyconnect secure mobility client administrator guide - May 13 2023

web jun 29 2015 web deployment uses anyconnect web launch which is part of the clientless ssl portal the clientless ssl portal can be customized but the anyconnect parts of the portal cannot for example the start anyconnect button cannot be customized disable customer experience feedback modify installation behavior windows

solved anyconnect deploy with sccm help cisco community - Oct 18 2023

web oct 28 2016 here s a general guide on how to do it download anyconnect package obtain the cisco anyconnect installation package from the cisco website or your obtain the cisco anyconnect installation package from the cisco website or your organization s software repository prepare the sccm

cisco anyconnect secure mobility client administrator guide - Mar 11 2023

web jun 30 2015 deploy anyconnect customize and localize the anyconnect client and installer the anyconnect profile editor

configure vpn access configure network access manager configure posture configure web security configure amp enabler
enable fips in the local policy cisco anyconnect customer experience feedback module

[cisco anyconnect secure mobility client administrator guide](#) - Jun 14 2023

web mar 29 2018 cisco secure client configuration guides cisco anyconnect secure mobility client administrator guide
release 4 6 book contents updated march 29 2018 chapter configure posture chapter contents the anyconnect secure
mobility client offers an vpn posture hostscan module and an ise posture module

cisco anyconnect secure mobility client administrator guide - Sep 17 2023

web sep 5 2023 to upgrade anyconnect or install additional modules using predeploy out of band deployment either
manually or using sccm and so on you need administrative privileges using an enterprise software management system sms

cisco anyconnect deployment guide sccm book - Feb 27 2022

web cisco anyconnect deployment guide sccm ccna wireless 640 722 official cert guide apr 25 2022 trust the best selling
official cert guide series from cisco press to help you learn prepare and practice for exam success they are built with the
objective of providing assessment review and

how to deployed anyconnect client with sccm - Aug 16 2023

web nov 21st 2018 at 5 42 am i know how to deployed from sccm i just need to deployed the anyconnect msi i was told to
create a batch file as a script in sccm then deployed it but how do i add the profile to it our vpn profile is has

install cisco any connect use agent through sccm r sccm reddit - Jun 02 2022

web feb 7 2021 anyconnect can be used for vpn and network access so it will depend on how you are using it how it needs
to be installed also you might need to apply a specific profile not a great app for your first attempt

[solved anyconnect deployment via sccm cisco community](#) - Dec 08 2022

web sep 19 2019 i got these commands from cisco documents to deploy anyconnect silently to a bunch of pc as part of
migration project this is make sure that there is really no user interaction when this anyconnect push is happening
commands msiexec package anyconnect win 4 7 04056 core vpn predeploy k9 msi norestart passive lvx log24 log

new driver license texas download psd templates - Feb 26 2022

web jan 10 2021 address license number id number birth date height weight exp change photos etc you need photoshop to
edit this template you can download photoshop from here adobe com 25 00 purchase we respect the laws rules and
regulations of all countries our templates are for web illustrations only

[editable texas drivers license template form fill out and sign](#) - Sep 04 2022

web use this step by step guide to complete the texas driver s license template paper pdfsdocuments com form quickly and
with ideval accuracy tips on how to fill out the texas driver s license template paper pdfsdocuments com form on the web to

start the form use the fill camp sign online button or tick the preview image of the document

get temporary driver s license texas us legal forms - Jan 08 2023

web get your online template and fill it in using progressive features enjoy smart fillable fields and interactivity follow the simple instructions below the days of terrifying complex tax and legal documents have ended with us legal forms creating legal documents is

get temporary driver s license template us legal forms - Dec 07 2022

web temporary driver s license template get temporary driver s license template how it works open form follow the instructions easily sign the form with your finger send filled signed form or save printable temporary id template rating 4 8 satisfied 46 votes how to fill out and sign paper id template online

section 3 issuing a temporary permit texas department of public safety - Jun 13 2023

web 1 how long is my temporary driver license valid a temporary driver license is valid for 60 days from the date of your driver license transaction you may check the mailing status of your card at where s my driver license or id card 2 i still cannot find the answer to my question what do i do

temporary driver s license texas fill and sign printable template - Jul 02 2022

web how to fill out and sign texas id template online get your online template and fill it in using graduated features enjoy smart fillable fields and interactivity follow aforementioned simple user below fill texas id template edit online

texas drivers license template pdf fill out sign online dochub - Nov 06 2022

web editable blank texas drivers license template get the up to date editable blank texas drivers license template 2023 now 4 1 out of 5 52 votes 44 reviews 23 ratings 15 005 10 000 000 303 100 000 users here s how it works 02 sign it in a few clicks draw your signature type it upload its image or use your mobile device as a signature pad 03

temporary driver s license texas fill and sign printable template - Apr 30 2022

web completed temporary driver s license texas wired with us legal forms easily fill out pdf blank edit and sign them storing or instantaneously send your finish documents

temporary license template texas printable blank pdf online - Apr 11 2023

web temporary driver s license a temporary driver s license template is issued to individuals who have applied for a driver s license renewal or replacement it serves as a temporary proof of driving privileges until the official license card arrives in the mail

temporary driver s license texas fill and sign printable template - May 12 2023

web texas impermanent id template download temporary license texas texas drivers license template temporary driver license texas blank editable texas temporary paper id template texas paper id template 2022 modification texas motorists

license preset paper psyche template blank texas paper device pdf texas temp id can i print my [temporary id texas form fill out and sign printable pdf template](#) - Jul 14 2023

web use a printable pdf template to fill out and sign a temporary id texas form online learn how to get a temporary id in texas how to protect your document and how to create an esignature with signnow

texas temporary paper id template fill out sign online dochub - Aug 15 2023

web 01 edit your editable texas temporary paper id template online type text add images blackout confidential details add comments highlights and more 02 sign it in a few clicks draw your signature type it upload its image or use your mobile device as a signature pad 03 share your form with others

[texas drivers license template new edition photoshop file](#) - Dec 27 2021

web tx psd template editable with photoshop this is a texas drivers license template on this psd template you can put any name dob address license no etc and make your own personalized usa driver license to see a full screen zoomed view please click on the magnifying glass icon on the top right corner of the product image

temporary driver s license texas form fill out and sign - Oct 05 2022

web texas temporary id template check out how easy it is to complete and esign documents online using fillable submission and a powerful editor rate temporary driver s license texas as 5 stars rate temporary driver s license texas as 4 stars rate temporary driver s license texas as 3 stars rate time limited driver s license texas as 2 stars

texas drivers license template psd fake texas dl 2022 - Mar 30 2022

web sep 4 2021 download a custom photoshop template for a fake texas driver s license edit the fields fonts and photos to create your own novelty fake identity document learn how to apply for a texas driver s license the types of licenses and the requirements

get texas temporary id template download 2020 2023 us - Aug 03 2022

web editable temporary id template texas drivers license 2022 texas pdf blank printable temporary license plate template 2023 texas id texas paper id template 2022 temporary id template texas temporary drivers license template

[driver licenses and id cards for temporary visitors](#) - Mar 10 2023

web learn how to apply for a driver license or id card with limited term if you are a temporary visitor in texas find out the requirements renewal process and documents needed for a limited term license or id card

[temporary driver s license texas form signnow](#) - Feb 09 2023

web quick steps to complete and e sign temporary id texas online use get form or simply click on the template preview to open it in the editor start completing the fillable fields and carefully type in required information use the cross or check marks in the top toolbar to select your answers in the list boxes

texas driver license template new all psd templates - Jan 28 2022

web high quality template change photos text etc easy to customize layer based fonts included texas driver license template you can edit this template and put any name address number birth date expire date

temporary driver s license texas fill and sign printable template - Jun 01 2022

web ensure the information you fill inbound temporary driver s license texas is updated and accurate indicate the date to the print using the date feature selecting the sign tool and make an e signature feel release to uses 3 available alternatives typing drawing or uploading one double check every area has been filled in gets select

mind action series mathematical literacy grade 11 textbook - Feb 15 2022

web mind action series mathematical literacy grade 11 textbook workbook ncaps 2021 bookbound

mind action series mathematics grade 11 textbook pdf free download - Aug 04 2023

web feb 26 2023 mind action series mathematics grade 11 textbook pdf free download mathematics department of the education republic of the philippines this book was collaboratively developed and reviewed mathematics arithmetic measurement geometry fractions and more

mind action series mathematics gr 11 textbook basically books - Jun 21 2022

web mind action series mathematics grade 10 textbook sale r 396 00 r 317 00 add to cart mind action series mathematical literacy gr 12 textbook and workbook sale r 390 00 r 320 00 read more maths excellence 5 memo printed r 197 00 add to cart explore mathematics grade 8 sale r 150 00 r 75 00 read more

mind action series mathematics gr 11 textbook ncaps - Feb 27 2023

web jan 1 2014 mind action series mathematics gr 11 textbook ncaps dbe approved pdf 1 year licence botha mark phillips jurgens basson conrad pdf mind action series mathematics gr 11 textbook ncaps dbe approved pdf 1 year licence r 140 96 licence 425 days only

our new edition gr 11 12 mind action series facebook - Mar 31 2023

web june 25 2020 our new edition gr 11 12 mathematics geometry workbooks solutions are here benefits geometry is an extremely important part of the mathematics curriculum for this reason the mathematics authors and mind action series has decided to develop a separate workbook

mind action series mathematics grade 11 textbook paperback - Jul 23 2022

web product details mind action series mathematics grade 11 textbook mathematics textbook workbook grade 11 caps aims to guide south african learners effectively by focusing and encouraging understanding as memory depends on understanding

mind action series mathematics practise - Dec 28 2022

web mind action series mathematics practise examination original paper as set up by mark phillips grade 11 paper 2

september 2016 time 3 hours marks 150 instructions and information read the following instructions carefully before answering the questions 3 2 4 show that 1 ae ec 5 3 2 5 calculate the size of t

[wize books mind action series mathematical literacy grade 11 - Nov 26 2022](#)

web mind action series mathematical literacy grade 11 textbook and workbook ncaps t ridgway a snyman out of stock can order

mind action series mathematical literacy gr 11 textbook - Jan 29 2023

web mind action series mathematical literacy gr 11 textbook workbook ncaps 2021 pdf 1 year r 187 78 excl vat add to cart

[mind action series grade 11 fabumaths - Sep 05 2023](#)

web mind action series mathematics grade 11 textbook 2021 chapter two exercise 1 page 27 exercise 2 page 30 exercise 3 page 33 exercise 4 page 36 exercise 5 page 38

mind action series mathematics grade 11 textbook workbook - Mar 19 2022

web mind action series mathematics grade 11 textbook workbook r 215 00 r 145 00 9781869214647 2nd hand 2012 edition sku 1869214647 categories used textbooks grade 10 12 maths share this

mind action series mathematics grade 11 textbook isbn - Oct 26 2022

web mind action series mathematics grade 11 textbook mind action series mathematics grade 11 textbook aims to guide south african learners effectively by focusing and encouraging understanding as memory depends on understanding publications are presented in the following format full workbook a multi dimensional approach with

grade 11 math textbook mind action series latopdf pro - Apr 19 2022

web in order to read or download grade 11 math textbook mind action series ebook you need to create a free account download now ebook includes pdf epub and kindle version

mind action series mathematics grade 11 textbook isbn - May 21 2022

web description mind action series mathematics grade 11 textbook mind action series mathematics grade 11 textbook aims to guide south african learners effectively by focusing and encouraging understanding as memory depends on understanding

mind action series mathematics grade 11 textbook pdf - Oct 06 2023

web jul 20 2023 mind action series mathematics grade 11 textbook pdf free download you can now access the mind action series mathematics grade 11 textbook for free in pdf format this comprehensive and user friendly textbook covers all the mathematics topics in the new caps curriculum providing a modern and engaging approach to learning

[grade 11 mathematics maths study guide free download - Jun 02 2023](#)

web aug 23 2020 mind action series studyguide mathematics grade 11 free download the mind action series mathematics grade 11 is a textbook that covers the topics outlined in the caps curriculum and assessment policy statement curriculum for

mathematics in grade 11 in south africa

mas mathematics g11 textbook 9781776115228 caxton books - Jul 03 2023

web mind action series mathematics grade 11 textbook mathematics textbook workbook grade 11 caps aims to guide south african learners effectively by focusing and encouraging understanding as memory depends on understanding

mind action series mathematics grade 11 textbook - Aug 24 2022

web about the book customer rating mind action series mathematics grade 11 textbook mathematics textbook workbook grade 11 caps aims to guide south african learners effectively by focusing and encouraging understanding as

mind action series mathematics gr 11 teacher guide - May 01 2023

web may 1 2020 nieuwoudt jurg basson jaco odendaal heilana gouws lidwinia pdf mind action series mathematics gr 11 teacher guide ncaps new edition pdf 3 year licence r 281 95 licence 1140 days only

gr11 mind action series mathematics textbook - Sep 24 2022

web gr11 mind action mathematics textbook caps isbn 9781776115228 grade 11 school textbooks grade 12 school textbooks back gr11 mind action series mathematics t roll over image to zoom in click on image to zoom gr11 mind action series

mathematics textbook save r 33 95