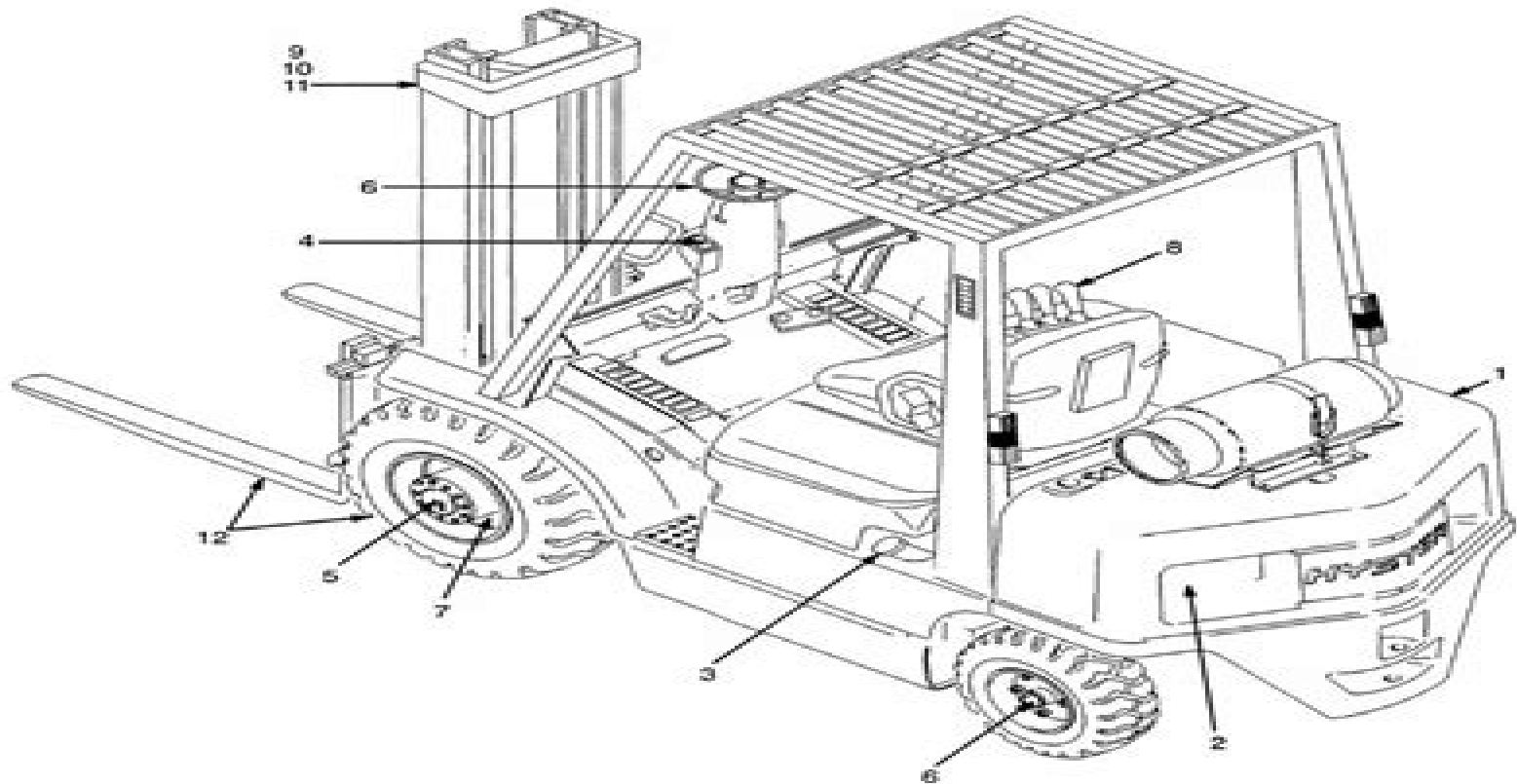


ILLUSTRATED CONTENTS



REF	SECTION	PAGE
1	Frame	1
2	Engine	13
3	Fuel System	107
4	Electrical System	175
5	Transmission	285
6	Steering System	307
7	Brake System	315
8	Hydraulic System	323
9	Two Stage Limited Free-Lift Mast	347
10	Three Stage Full Free-Lift Mast	369
11	Two Stage Full Free-Lift Mast	403
12	Optional	435
13	Numerical Index	481

Hyster H50xm Manual

Annelies Wilder-Smith



Hyster H50xm Manual:

This Enthralling Realm of Kindle Books: A Comprehensive Guide Unveiling the Advantages of Kindle Books: A World of Ease and Versatility E-book books, with their inherent mobility and ease of access, have liberated readers from the constraints of physical books. Gone are the days of lugging bulky novels or meticulously searching for specific titles in bookstores. Kindle devices, sleek and lightweight, effortlessly store an wide library of books, allowing readers to immerse in their preferred reads whenever, everywhere. Whether traveling on a bustling train, lounging on a sun-kissed beach, or simply cozying up in bed, E-book books provide an unparalleled level of convenience. A Literary World Unfolded: Discovering the Wide Array of E-book Hyster H50xm Manual Hyster H50xm Manual The Kindle Shop, a virtual treasure trove of literary gems, boasts an wide collection of books spanning diverse genres, catering to every readers taste and choice. From gripping fiction and thought-provoking non-fiction to timeless classics and contemporary bestsellers, the Kindle Store offers an exceptional variety of titles to explore. Whether seeking escape through engrossing tales of imagination and adventure, diving into the depths of past narratives, or expanding ones knowledge with insightful works of scientific and philosophy, the E-book Store provides a doorway to a bookish world brimming with endless possibilities. A Transformative Force in the Bookish Scene: The Persistent Impact of E-book Books Hyster H50xm Manual The advent of Kindle books has certainly reshaped the bookish landscape, introducing a model shift in the way books are released, disseminated, and consumed. Traditional publishing houses have embraced the online revolution, adapting their strategies to accommodate the growing demand for e-books. This has led to a rise in the availability of Kindle titles, ensuring that readers have entry to a wide array of bookish works at their fingers. Moreover, E-book books have democratized entry to books, breaking down geographical limits and providing readers worldwide with similar opportunities to engage with the written word. Irrespective of their place or socioeconomic background, individuals can now immerse themselves in the intriguing world of books, fostering a global community of readers. Conclusion: Embracing the E-book Experience Hyster H50xm Manual E-book books Hyster H50xm Manual, with their inherent ease, versatility, and vast array of titles, have undoubtedly transformed the way we encounter literature. They offer readers the freedom to explore the limitless realm of written expression, anytime, everywhere. As we continue to navigate the ever-evolving digital scene, E-book books stand as testament to the persistent power of storytelling, ensuring that the joy of reading remains reachable to all.

https://staging.conocer.cide.edu/About/uploaded-files/index.jsp/fantasia_on_greensleeves_o_102_harp.pdf

Table of Contents Hyster H50xm Manual

1. Understanding the eBook Hyster H50xm Manual
 - The Rise of Digital Reading Hyster H50xm Manual
 - Advantages of eBooks Over Traditional Books
2. Identifying Hyster H50xm Manual
 - Exploring Different Genres
 - Considering Fiction vs. Non-Fiction
 - Determining Your Reading Goals
3. Choosing the Right eBook Platform
 - Popular eBook Platforms
 - Features to Look for in an Hyster H50xm Manual
 - User-Friendly Interface
4. Exploring eBook Recommendations from Hyster H50xm Manual
 - Personalized Recommendations
 - Hyster H50xm Manual User Reviews and Ratings
 - Hyster H50xm Manual and Bestseller Lists
5. Accessing Hyster H50xm Manual Free and Paid eBooks
 - Hyster H50xm Manual Public Domain eBooks
 - Hyster H50xm Manual eBook Subscription Services
 - Hyster H50xm Manual Budget-Friendly Options
6. Navigating Hyster H50xm Manual eBook Formats
 - ePub, PDF, MOBI, and More
 - Hyster H50xm Manual Compatibility with Devices
 - Hyster H50xm Manual Enhanced eBook Features
7. Enhancing Your Reading Experience
 - Adjustable Fonts and Text Sizes of Hyster H50xm Manual
 - Highlighting and Note-Taking Hyster H50xm Manual
 - Interactive Elements Hyster H50xm Manual
8. Staying Engaged with Hyster H50xm Manual

- Joining Online Reading Communities
- Participating in Virtual Book Clubs
- Following Authors and Publishers Hyster H50xm Manual
- 9. Balancing eBooks and Physical Books Hyster H50xm Manual
 - Benefits of a Digital Library
 - Creating a Diverse Reading Collection Hyster H50xm Manual
- 10. Overcoming Reading Challenges
 - Dealing with Digital Eye Strain
 - Minimizing Distractions
 - Managing Screen Time
- 11. Cultivating a Reading Routine Hyster H50xm Manual
 - Setting Reading Goals Hyster H50xm Manual
 - Carving Out Dedicated Reading Time
- 12. Sourcing Reliable Information of Hyster H50xm Manual
 - Fact-Checking eBook Content of Hyster H50xm Manual
 - Distinguishing Credible Sources
- 13. Promoting Lifelong Learning
 - Utilizing eBooks for Skill Development
 - Exploring Educational eBooks
- 14. Embracing eBook Trends
 - Integration of Multimedia Elements
 - Interactive and Gamified eBooks

Hyster H50xm Manual Introduction

Free PDF Books and Manuals for Download: Unlocking Knowledge at Your Fingertips In today's fast-paced digital age, obtaining valuable knowledge has become easier than ever. Thanks to the internet, a vast array of books and manuals are now available for free download in PDF format. Whether you are a student, professional, or simply an avid reader, this treasure trove of downloadable resources offers a wealth of information, conveniently accessible anytime, anywhere. The advent of online libraries and platforms dedicated to sharing knowledge has revolutionized the way we consume information. No longer confined to physical libraries or bookstores, readers can now access an extensive collection of digital books and

manuals with just a few clicks. These resources, available in PDF, Microsoft Word, and PowerPoint formats, cater to a wide range of interests, including literature, technology, science, history, and much more. One notable platform where you can explore and download free Hyster H50xm Manual PDF books and manuals is the internet's largest free library. Hosted online, this catalog compiles a vast assortment of documents, making it a veritable goldmine of knowledge. With its easy-to-use website interface and customizable PDF generator, this platform offers a user-friendly experience, allowing individuals to effortlessly navigate and access the information they seek. The availability of free PDF books and manuals on this platform demonstrates its commitment to democratizing education and empowering individuals with the tools needed to succeed in their chosen fields. It allows anyone, regardless of their background or financial limitations, to expand their horizons and gain insights from experts in various disciplines. One of the most significant advantages of downloading PDF books and manuals lies in their portability. Unlike physical copies, digital books can be stored and carried on a single device, such as a tablet or smartphone, saving valuable space and weight. This convenience makes it possible for readers to have their entire library at their fingertips, whether they are commuting, traveling, or simply enjoying a lazy afternoon at home. Additionally, digital files are easily searchable, enabling readers to locate specific information within seconds. With a few keystrokes, users can search for keywords, topics, or phrases, making research and finding relevant information a breeze. This efficiency saves time and effort, streamlining the learning process and allowing individuals to focus on extracting the information they need. Furthermore, the availability of free PDF books and manuals fosters a culture of continuous learning. By removing financial barriers, more people can access educational resources and pursue lifelong learning, contributing to personal growth and professional development. This democratization of knowledge promotes intellectual curiosity and empowers individuals to become lifelong learners, promoting progress and innovation in various fields. It is worth noting that while accessing free Hyster H50xm Manual PDF books and manuals is convenient and cost-effective, it is vital to respect copyright laws and intellectual property rights. Platforms offering free downloads often operate within legal boundaries, ensuring that the materials they provide are either in the public domain or authorized for distribution. By adhering to copyright laws, users can enjoy the benefits of free access to knowledge while supporting the authors and publishers who make these resources available. In conclusion, the availability of Hyster H50xm Manual free PDF books and manuals for download has revolutionized the way we access and consume knowledge. With just a few clicks, individuals can explore a vast collection of resources across different disciplines, all free of charge. This accessibility empowers individuals to become lifelong learners, contributing to personal growth, professional development, and the advancement of society as a whole. So why not unlock a world of knowledge today? Start exploring the vast sea of free PDF books and manuals waiting to be discovered right at your fingertips.

FAQs About Hyster H50xm Manual Books

What is a Hyster H50xm Manual PDF? A PDF (Portable Document Format) is a file format developed by Adobe that preserves the layout and formatting of a document, regardless of the software, hardware, or operating system used to view or print it. **How do I create a Hyster H50xm Manual PDF?** There are several ways to create a PDF: Use software like Adobe Acrobat, Microsoft Word, or Google Docs, which often have built-in PDF creation tools. Print to PDF: Many applications and operating systems have a "Print to PDF" option that allows you to save a document as a PDF file instead of printing it on paper. Online converters: There are various online tools that can convert different file types to PDF. **How do I edit a Hyster H50xm Manual PDF?** Editing a PDF can be done with software like Adobe Acrobat, which allows direct editing of text, images, and other elements within the PDF. Some free tools, like PDFescape or Smallpdf, also offer basic editing capabilities. **How do I convert a Hyster H50xm Manual PDF to another file format?** There are multiple ways to convert a PDF to another format: Use online converters like Smallpdf, Zamzar, or Adobe Acrobat's export feature to convert PDFs to formats like Word, Excel, JPEG, etc. Software like Adobe Acrobat, Microsoft Word, or other PDF editors may have options to export or save PDFs in different formats. **How do I password-protect a Hyster H50xm Manual PDF?** Most PDF editing software allows you to add password protection. In Adobe Acrobat, for instance, you can go to "File" -> "Properties" -> "Security" to set a password to restrict access or editing capabilities. Are there any free alternatives to Adobe Acrobat for working with PDFs? Yes, there are many free alternatives for working with PDFs, such as: LibreOffice: Offers PDF editing features. PDFsam: Allows splitting, merging, and editing PDFs. Foxit Reader: Provides basic PDF viewing and editing capabilities. How do I compress a PDF file? You can use online tools like Smallpdf, ILovePDF, or desktop software like Adobe Acrobat to compress PDF files without significant quality loss. Compression reduces the file size, making it easier to share and download. Can I fill out forms in a PDF file? Yes, most PDF viewers/editors like Adobe Acrobat, Preview (on Mac), or various online tools allow you to fill out forms in PDF files by selecting text fields and entering information. Are there any restrictions when working with PDFs? Some PDFs might have restrictions set by their creator, such as password protection, editing restrictions, or print restrictions. Breaking these restrictions might require specific software or tools, which may or may not be legal depending on the circumstances and local laws.

Find Hyster H50xm Manual :

[fantasia on greensleeves o 102 harp](#)

fantasy explosion

fanfare and the star spangled banner

~~far east chineseenglish dictionary traditional character~~

fantasia vc/pno cello and piano

faraim 1989 federal aviation regulations

far western frontier 1830 1860

fancy dreb for childrens parties drebingup series with patterns

farmyard fun—stick col dot to dot

fasti parochiales volume v deanery of buckrose

fantastic architecture

farewell to an era

farmers kings and traders the people of southern africa 200-1860

fantastic and fabulous

fanny runs in honolulu

Hyster H50xm Manual :

Silver Shadows: A Bloodlines Novel - Books The first book in Richelle Mead's New York Times bestselling Bloodlines series ; The thrilling second installment in Richelle Mead's Vampire Academy spinoff ... Silver Shadows Silver Shadows is the fifth book in the Bloodlines series by Richelle Mead. It is the second in the series to be told from dual perspectives. Silver Shadows (Bloodlines, #5) by Richelle Mead Jul 29, 2014 — Engrossing plot involving a "re-education camp" with similarities to real-life "de-gaying camps." Well-written action scenes, swoony romance, ... Silver Shadows (Book 5) | Vampire Academy Series Wiki Silver Shadows, the fifth book in Richelle Mead's spin-off series Bloodlines, was released on the July 29, 2014. The book continues with the narrators from ... Review: Silver Shadows by Richelle Mead - Heart Full of Books Apr 11, 2015 — Silver Shadows by Richelle Mead Genre: Paranormal, Romance Published by: Razor Bill Pages: 420. Format: e-Book Rating Silver Shadows (Bloodlines Series #5) by Richelle Mead ... About the Author. Richelle Mead is the author of the international #1 bestselling Vampire Academy series, its spinoff series, Bloodlines, and the Age of X ... Silver Shadows by Richelle Mead - Audiobook Listen to the Silver Shadows audiobook by Richelle Mead, narrated by Alden Ford & Emily Shaffer. Sydney Sage is an Alchemist, one of a group of humans who ... Silver Shadows by Richelle Mead - Kat Reviews Mar 17, 2016 — Poor Sydney Sage is taken by her own people, and shown what happens to those who break the rules. Sydney is put into re-education, and is taught ... Silver Shadows by Richelle Mead: 9781595146328 Their worst fears now a chilling reality, Sydney and Adrian face their darkest hour in this heart-pounding fifth installment in the New York Times bestselling ... Bloodlines: Silver Shadows (book 5) by Richelle Mead Jul 29, 2014 — Sydney Sage is an Alchemist, one of a group of humans who dabble

in magic and serve to bridge the worlds of humans and vampires. Policy Driven Data Center with ACI, The Dec 21, 2014 — Using the policy driven data center approach, networking professionals can accelerate and simplify changes to the data center, construction of ... Policy Driven Data Center with ACI, The: Architecture ... The book is a fast paced walkthrough in order to understand the concepts to build and maintain the Cisco ACI environment. The reader will quickly understand the ... The Policy Driven Data Center with ACI Book description. Use policies and Cisco® ACI to make data centers more flexible and configurable—and deliver far more business value. Policy Driven Data Center with ACI, The: Architecture ... Cisco data center experts Lucien Avramov and Maurizio Portolani thoroughly explain the architecture, concepts, and methodology of the policy driven data center. The Policy Driven Data Center with ACI: Architecture, ... This book is designed to provide information about Cisco ACI. Every effort has been made to make this book as complete and as accurate as possible, ... The Policy Driven Data Center with ACI - ACM Digital Library Dec 31, 2014 — Use policies and Cisco ACI to make data centers more flexible and configurable and deliver far more business value Using the policy driven ... The policy driven data center with aci architecture concepts ... It will utterly ease you to look guide the policy driven data center with aci architecture concepts and methodology networking technology as you such as. By ... The Policy Driven Data Center with ACI: Architecture ... Cisco data center experts Lucien Avramov and Maurizio Portolani thoroughly explain the architecture, concepts, and methodology of the policy driven data center. Policy Driven Data Center with ACI, The: Architecture ... Using the policy driven data center approach, networking professionals can make their data center topologies faster to configure and more portable. The policy driven data center with ACI The policy driven data center with ACI : architecture, concepts, and methodology / Lucien Avramov, Maurizio Portolani.-book. Kontakte: Kapitel 4 Flashcards Contains all vocabulary in Kapitel 4's Wortschatz, including all Ähnliche Wörter found in text. Learn with flashcards, games, and more — for free. Kapitel 4 Lektion A Answers - Fill Online, Printable, Fillable, ... Fill Kapitel 4 Lektion A Answers, Edit online. Sign, fax and printable from PC, iPad, tablet or mobile with pdfFiller ☐ Instantly. Try Now! Kapitel 4 by Sel Ma I am using chapter 4 vocabulary from the Portfolio Deutsch book. I have also ... Questions & Answers. Please log in to post a question. Be the first to ask ... erte kontakte answer key - Treffpunkt Deutsch Sixth... In lecture hall 9 2. Where will Stephanie be able to find Peter at 12 noon? In the cafeteria 3. When did Peter send his text message to Stephanie? At night E-19 ... Kontakte Kontakte offers a truly communicative approach that bolsters functional proficiency, while responding to the changing needs of students and instructors, ... Kapitel 4 Vokabeln lernen - Deutsch 101-326 Resources for learning the Kapitel 4 Vokabeln. Read through the Kapitel4CEM vocabulary handout. This provides collocations (typical word combinations), ... Antwoorden Kapitel 4: Redemittel (Neue Kontakte) - Duits Dec 5, 2021 — Clear up your doubts by reading the answers to questions asked by your fellow students ... Duits | Antwoorden Kapitel 4: Redemittel (Neue Kontakte) ... GER 101: Syllabus German 101: Beginning German I. Description. German 101 is a beginning German course that assumes no prior knowledge of German. You will

develop competence ... answer_key: answer key Fill in the blanks with the correct relative pronouns to finish Little Red Riding Hood's story. Watch out for the correct gender and case (the prepositions ...