

- A positive system pressure at the highest point of 5 to 10 psi.
  - Make up water valve should be designed to add water to the system at the outlet of the boiler and should not be fed directly into the boiler.
2. Air removal equipment, including air separator and automatic air breather valves.
  3. A functioning expansion tank designed to system specifications.
  4. Filtration to remove particulates installed inline with the suction side of the recirculating pump.
  5. Bypass chemical feeder for corrosion inhibitor maintenance.
  6. Optionally a water meter could be installed in series with the automatic pressure activated water make up valve to monitor any make up water.
  7. Ensure water quality meets the following:

- Oxygen - less than 250 ppb (operating condition)
- pH - must be in the range of 8-10
- Total Iron & Copper - less than 25 ppm
- Corrosion Inhibitor - level capable of maintaining iron corrosion rates < 2 mpy. Due to changing environmental restrictions, a non-heavy metal, all organic inhibitor is recommended, which is designed for multi-metal systems including ferrous metals and yellow metals such as copper and brass.
- Chlorides - less than 250 ppm as Cl. Limit applicable only to installations utilizing duplex steel pressure vessel components.

### Install Water Piping

The bottom connection to the boiler is the INLET and must be connected as the return from the system. The top connection on the boiler is the OUTLET and must be connected as the supply to the system.

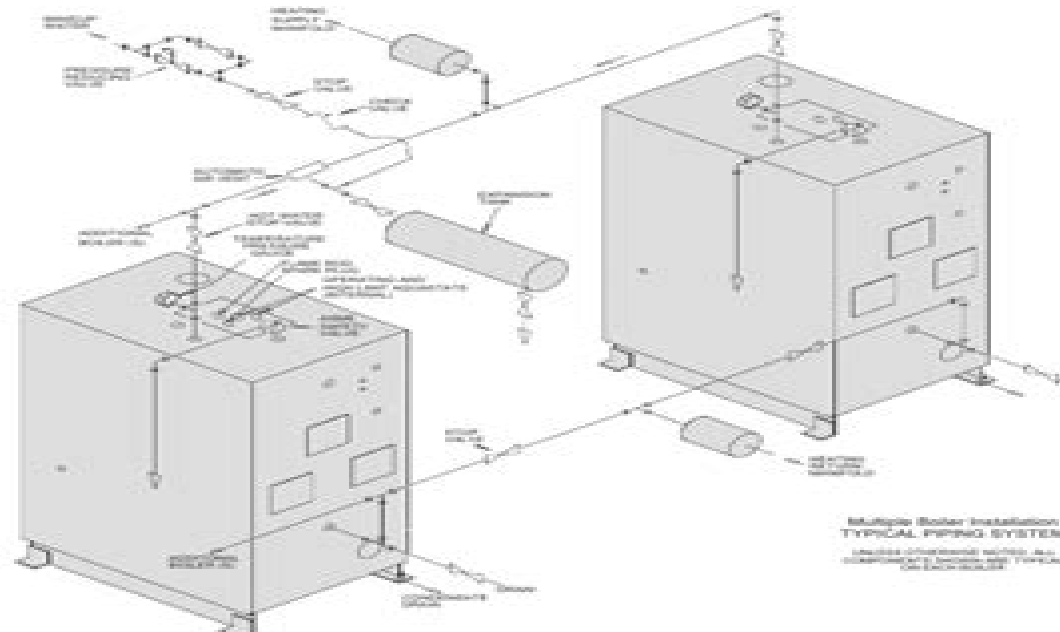


FIGURE 6 - TYPICAL PIPING (MULTIPLE BOILER SYSTEM)

# Hydropulse Boiler Manual

**B Lingard**



## **Hydropulse Boiler Manual:**

The book delves into Hydropulse Boiler Manual. Hydropulse Boiler Manual is an essential topic that must be grasped by everyone, ranging from students and scholars to the general public. The book will furnish comprehensive and in-depth insights into Hydropulse Boiler Manual, encompassing both the fundamentals and more intricate discussions.

1. The book is structured into several chapters, namely:
  - Chapter 1: Introduction to Hydropulse Boiler Manual
  - Chapter 2: Essential Elements of Hydropulse Boiler Manual
  - Chapter 3: Hydropulse Boiler Manual in Everyday Life
  - Chapter 4: Hydropulse Boiler Manual in Specific Contexts
  - Chapter 5: Conclusion
2. In chapter 1, this book will provide an overview of Hydropulse Boiler Manual. This chapter will explore what Hydropulse Boiler Manual is, why Hydropulse Boiler Manual is vital, and how to effectively learn about Hydropulse Boiler Manual.
3. In chapter 2, this book will delve into the foundational concepts of Hydropulse Boiler Manual. This chapter will elucidate the essential principles that need to be understood to grasp Hydropulse Boiler Manual in its entirety.
4. In chapter 3, this book will examine the practical applications of Hydropulse Boiler Manual in daily life. This chapter will showcase real-world examples of how Hydropulse Boiler Manual can be effectively utilized in everyday scenarios.
5. In chapter 4, the author will scrutinize the relevance of Hydropulse Boiler Manual in specific contexts. The fourth chapter will explore how Hydropulse Boiler Manual is applied in specialized fields, such as education, business, and technology.
6. In chapter 5, the author will draw a conclusion about Hydropulse Boiler Manual. This chapter will summarize the key points that have been discussed throughout the book.

The book is crafted in an easy-to-understand language and is complemented by engaging illustrations. This book is highly recommended for anyone seeking to gain a comprehensive understanding of Hydropulse Boiler Manual.

[https://staging.conocer.cide.edu/About/detail/Download\\_PDFS/Fanuc\\_100ic\\_Manual.pdf](https://staging.conocer.cide.edu/About/detail/Download_PDFS/Fanuc_100ic_Manual.pdf)

## **Table of Contents Hydropulse Boiler Manual**

1. Understanding the eBook Hydropulse Boiler Manual

- The Rise of Digital Reading Hydropulse Boiler Manual
- Advantages of eBooks Over Traditional Books
- 2. Identifying Hydropulse Boiler Manual
  - Exploring Different Genres
  - Considering Fiction vs. Non-Fiction
  - Determining Your Reading Goals
- 3. Choosing the Right eBook Platform
  - Popular eBook Platforms
  - Features to Look for in an Hydropulse Boiler Manual
  - User-Friendly Interface
- 4. Exploring eBook Recommendations from Hydropulse Boiler Manual
  - Personalized Recommendations
  - Hydropulse Boiler Manual User Reviews and Ratings
  - Hydropulse Boiler Manual and Bestseller Lists
- 5. Accessing Hydropulse Boiler Manual Free and Paid eBooks
  - Hydropulse Boiler Manual Public Domain eBooks
  - Hydropulse Boiler Manual eBook Subscription Services
  - Hydropulse Boiler Manual Budget-Friendly Options
- 6. Navigating Hydropulse Boiler Manual eBook Formats
  - ePub, PDF, MOBI, and More
  - Hydropulse Boiler Manual Compatibility with Devices
  - Hydropulse Boiler Manual Enhanced eBook Features
- 7. Enhancing Your Reading Experience
  - Adjustable Fonts and Text Sizes of Hydropulse Boiler Manual
  - Highlighting and Note-Taking Hydropulse Boiler Manual
  - Interactive Elements Hydropulse Boiler Manual
- 8. Staying Engaged with Hydropulse Boiler Manual
  - Joining Online Reading Communities
  - Participating in Virtual Book Clubs
  - Following Authors and Publishers Hydropulse Boiler Manual

9. Balancing eBooks and Physical Books Hydropulse Boiler Manual
  - Benefits of a Digital Library
  - Creating a Diverse Reading Collection Hydropulse Boiler Manual
10. Overcoming Reading Challenges
  - Dealing with Digital Eye Strain
  - Minimizing Distractions
  - Managing Screen Time
11. Cultivating a Reading Routine Hydropulse Boiler Manual
  - Setting Reading Goals Hydropulse Boiler Manual
  - Carving Out Dedicated Reading Time
12. Sourcing Reliable Information of Hydropulse Boiler Manual
  - Fact-Checking eBook Content of Hydropulse Boiler Manual
  - Distinguishing Credible Sources
13. Promoting Lifelong Learning
  - Utilizing eBooks for Skill Development
  - Exploring Educational eBooks
14. Embracing eBook Trends
  - Integration of Multimedia Elements
  - Interactive and Gamified eBooks

### **Hydropulse Boiler Manual Introduction**

Free PDF Books and Manuals for Download: Unlocking Knowledge at Your Fingertips In today's fast-paced digital age, obtaining valuable knowledge has become easier than ever. Thanks to the internet, a vast array of books and manuals are now available for free download in PDF format. Whether you are a student, professional, or simply an avid reader, this treasure trove of downloadable resources offers a wealth of information, conveniently accessible anytime, anywhere. The advent of online libraries and platforms dedicated to sharing knowledge has revolutionized the way we consume information. No longer confined to physical libraries or bookstores, readers can now access an extensive collection of digital books and manuals with just a few clicks. These resources, available in PDF, Microsoft Word, and PowerPoint formats, cater to a wide range of interests, including literature, technology, science, history, and much more. One notable platform where you can explore and download free Hydropulse Boiler Manual PDF books and manuals is the internet's largest free library. Hosted

online, this catalog compiles a vast assortment of documents, making it a veritable goldmine of knowledge. With its easy-to-use website interface and customizable PDF generator, this platform offers a user-friendly experience, allowing individuals to effortlessly navigate and access the information they seek. The availability of free PDF books and manuals on this platform demonstrates its commitment to democratizing education and empowering individuals with the tools needed to succeed in their chosen fields. It allows anyone, regardless of their background or financial limitations, to expand their horizons and gain insights from experts in various disciplines. One of the most significant advantages of downloading PDF books and manuals lies in their portability. Unlike physical copies, digital books can be stored and carried on a single device, such as a tablet or smartphone, saving valuable space and weight. This convenience makes it possible for readers to have their entire library at their fingertips, whether they are commuting, traveling, or simply enjoying a lazy afternoon at home. Additionally, digital files are easily searchable, enabling readers to locate specific information within seconds. With a few keystrokes, users can search for keywords, topics, or phrases, making research and finding relevant information a breeze. This efficiency saves time and effort, streamlining the learning process and allowing individuals to focus on extracting the information they need. Furthermore, the availability of free PDF books and manuals fosters a culture of continuous learning. By removing financial barriers, more people can access educational resources and pursue lifelong learning, contributing to personal growth and professional development. This democratization of knowledge promotes intellectual curiosity and empowers individuals to become lifelong learners, promoting progress and innovation in various fields. It is worth noting that while accessing free Hydropulse Boiler Manual PDF books and manuals is convenient and cost-effective, it is vital to respect copyright laws and intellectual property rights. Platforms offering free downloads often operate within legal boundaries, ensuring that the materials they provide are either in the public domain or authorized for distribution. By adhering to copyright laws, users can enjoy the benefits of free access to knowledge while supporting the authors and publishers who make these resources available. In conclusion, the availability of Hydropulse Boiler Manual free PDF books and manuals for download has revolutionized the way we access and consume knowledge. With just a few clicks, individuals can explore a vast collection of resources across different disciplines, all free of charge. This accessibility empowers individuals to become lifelong learners, contributing to personal growth, professional development, and the advancement of society as a whole. So why not unlock a world of knowledge today? Start exploring the vast sea of free PDF books and manuals waiting to be discovered right at your fingertips.

### **FAQs About Hydropulse Boiler Manual Books**

How do I know which eBook platform is the best for me? Finding the best eBook platform depends on your reading

preferences and device compatibility. Research different platforms, read user reviews, and explore their features before making a choice. Are free eBooks of good quality? Yes, many reputable platforms offer high-quality free eBooks, including classics and public domain works. However, make sure to verify the source to ensure the eBook credibility. Can I read eBooks without an eReader? Absolutely! Most eBook platforms offer webbased readers or mobile apps that allow you to read eBooks on your computer, tablet, or smartphone. How do I avoid digital eye strain while reading eBooks? To prevent digital eye strain, take regular breaks, adjust the font size and background color, and ensure proper lighting while reading eBooks. What the advantage of interactive eBooks? Interactive eBooks incorporate multimedia elements, quizzes, and activities, enhancing the reader engagement and providing a more immersive learning experience. Hydropulse Boiler Manual is one of the best book in our library for free trial. We provide copy of Hydropulse Boiler Manual in digital format, so the resources that you find are reliable. There are also many Ebooks of related with Hydropulse Boiler Manual. Where to download Hydropulse Boiler Manual online for free? Are you looking for Hydropulse Boiler Manual PDF? This is definitely going to save you time and cash in something you should think about. If you trying to find then search around for online. Without a doubt there are numerous these available and many of them have the freedom. However without doubt you receive whatever you purchase. An alternate way to get ideas is always to check another Hydropulse Boiler Manual. This method for see exactly what may be included and adopt these ideas to your book. This site will almost certainly help you save time and effort, money and stress. If you are looking for free books then you really should consider finding to assist you try this. Several of Hydropulse Boiler Manual are for sale to free while some are payable. If you arent sure if the books you would like to download works with for usage along with your computer, it is possible to download free trials. The free guides make it easy for someone to free access online library for download books to your device. You can get free download on free trial for lots of books categories. Our library is the biggest of these that have literally hundreds of thousands of different products categories represented. You will also see that there are specific sites catered to different product types or categories, brands or niches related with Hydropulse Boiler Manual. So depending on what exactly you are searching, you will be able to choose e books to suit your own need. Need to access completely for Campbell Biology Seventh Edition book? Access Ebook without any digging. And by having access to our ebook online or by storing it on your computer, you have convenient answers with Hydropulse Boiler Manual To get started finding Hydropulse Boiler Manual, you are right to find our website which has a comprehensive collection of books online. Our library is the biggest of these that have literally hundreds of thousands of different products represented. You will also see that there are specific sites catered to different categories or niches related with Hydropulse Boiler Manual So depending on what exactly you are searching, you will be able tochoose ebook to suit your own need. Thank you for reading Hydropulse Boiler Manual. Maybe you have knowledge that, people have search numerous times for their favorite readings like this Hydropulse Boiler Manual, but end up in harmful downloads. Rather than reading a



good book with a cup of coffee in the afternoon, instead they juggled with some harmful bugs inside their laptop. Hydropulse Boiler Manual is available in our book collection an online access to it is set as public so you can download it instantly. Our digital library spans in multiple locations, allowing you to get the most less latency time to download any of our books like this one. Merely said, Hydropulse Boiler Manual is universally compatible with any devices to read.

### **Find Hydropulse Boiler Manual :**

[fanuc 100ic manual](#)

**family therapy progress notes**

farmer dress paper doll template

[fallen angels notes answer key](#)

[fanuc 30i ladder manual](#)

*fallout hacking guide*

**fanuc oi mate mc operator manual**

~~fanuc 31i alarm manual~~

*fanuc 21i tb programming manual threading cycle*

[fat kid rules the world kl going](#)

**fanal 2014 life sciences paper 1 memo**

[fanuc 32i programming manual](#)

*family practice board review books*

[farberware fssc500 recipes user guide](#)

**farmall 504 service manual**

### **Hydropulse Boiler Manual :**

**volkswagen polo repair service manuals 34 pdf s** - Sep 03 2023

web how to find your volkswagen workshop or owners manual we have 1902 free pdf s spread across 67 volkswagen vehicles to narrow down your search please use the

**volkswagen polo 2018 2020 workshop manuals wiring diagrams** - Sep 22 2022

web read and download repair service manuals for volkswagen polo no doubt about it the polo is sporty stylish and fun with its sleek body coloured bumpers powerful

*volkswagen polo workshop manual wiring diagrams* - May 31 2023

web volkswagen polo gti 1 8 workshop manuals if you want to undertake repairs for your volkswagen polo gti 1 8 then it is usually a good idea to possess a workshop

**volkswagen polo mk5 workshop manual polo mk5 onlymanuals** - May 19 2022

web volkswagen polo derby classic 1976 90 car repair manual ivor carroll 1992 vw polo owners workshop manual peter t gill 2014 vw polo hatchback petrol service

**volkswagen polo gti 1 8 t manuals car workshop manuals** - Nov 24 2022

web feb 20 2021 i came across this website where they provide the full workshop repair manual for vw polo aw link cardiagn com volkswagen polo 20

**online volkswagen gti repair manual do it yourself** - Mar 17 2022

web mar 24 2020 other performance oriented models from the volkswagen stable that come with a good ol stick shift are the up gti and polo gti the german automaker will

[compra una volkswagen polo gti manuale usate su autoscout24](#) - Sep 10 2021

[polo aw workshop repair manual uk polos net the](#) - Aug 22 2022

web get your hands on the complete volkswagen factory workshop software download now 9 99 summary of content get notified when we add a new volkswagen polo manual

**volkswagen polo owner s manual manual directory** - Apr 17 2022

web oct 17 2019 when the uk order books for the gti gti models opened early last year the indications were that a manual version would be introduced in q4 of 2018 to the uk

[volkswagen workshop service and repair manuals](#) - Jul 01 2023

web polo 1995 2010 workshop manual electrical system polo 2002 self study programme 263 polo self study programme 447 volkswagen polo 2010 the design

**volkswagen polo owners service manuals user guides** - Jun 19 2022

web volkswagen factory service manuals online this site provides a detailed review of the alldata diy product which is an affordable diy version of the same professional

**manual volkswagen golf gti may not be dead after all msn** - Oct 12 2021

*2010vwpoloworkshopmanual full pdf cie advances asme* - Feb 13 2022

web sep 10 2015 like the dsg model the manual gearbox polo gti is powered by volkswagen s 1 8 litre turbopetrol four

cylinder engine it delivers 141 kw from 4 200 to

**volkswagen pdf workshop and repair manuals free** - Apr 29 2023

web volkswagen polo 1 8 gti workshop manuals gives you certain diagnostic details with regards to your automobile so if something is broken it helps you identify what the issue

**volkswagen workshop service and repair manuals polo mk5** - Oct 24 2022

web the volkswagen online owner s manual we ve made it easy to access your owner s and radio navigation manuals online for model year 2012 and newer volkswagen

**volkswagen committed to keeping manual gearboxes alive** - Dec 14 2021

web volkswagen polo gti 2 0 tsi gti bluemotion tetto alcantara beats 23 990 buon prezzo 29 458 km manuale 07 2019 benzina 147 kw 200 cv dream car srl

**volkswagen owners manuals official vw digital resources** - Jul 21 2022

web you can find 16 different owner s manuals for the volkswagen polo on this page that are in the pdf format yearly polo owner s manuals the years available stretch from 2009

volkswagen polo 1 8 gti manuals car workshop manuals - Jan 27 2023

web polo mk5 volkswagen workshop service and repair manuals body general body repairs exterior exterior equipment equipment dependent attachments assembly

volkswagen workshop repair owners manuals 100 free - Aug 02 2023

web troubleshooting and repair of the engine transmission fuel system suspension sensor locations error codes and decoding wiring diagrams relays and fuses all manuals are

**volkswagen workshop service and repair manuals polo mk5** - Dec 26 2022

web workshop manuals maintenance 3 cyl direct injection engine 1 0l engine 4 v ea 211 turbocharger 3 cyl injection engine 1 0l engine 4 v ea 211 chya chyb chyc

**2024 volkswagen polo price and specs msn** - Aug 10 2021

**polo gti manual uk polos net the vw polo forum** - Jan 15 2022

web roughly two months ago volkswagen released the golf gti 380 with the claim that this would be buyers last chance to own a manual gti but a new report from britain s

volkswagen polo gti manual 2015 review cars co za - Nov 12 2021

web the polo gti on the other hand costs 484 687 484 1598 484 for the first five services safety the volkswagen polo has a five star rating from ancap based on

**volkswagen polo pdf workshop and repair manuals** - Mar 29 2023

web polo mk5 volkswagen workshop service and repair manuals body general body repairs exterior exterior equipment equipment dependent attachments side member

**volkswagen polo free workshop and repair manuals** - Oct 04 2023

web updated august 23 we have 34 volkswagen polo manuals covering a total of 29 years of production in the table below you can see 1 polo workshop manuals 0 polo

**volkswagen polo gti 1 8 manuals car workshop manuals** - Feb 25 2023

web volkswagen polo gti 1 8 t workshop manuals provide you with specific diagnostic details on your car or truck therefore if something is broken it can help you ascertain

**pdf nano english edition pdf lineups** - Mar 30 2022

web nano english edition pdf this is likewise one of the factors by obtaining the soft documents of this nano english edition pdf by online you might not require more mature to spend to go to the book instigation as capably as search for them in some cases you likewise do not discover the declaration nano english edition pdf that you are looking

*nano spanish to english translation spanishdictionary com* - Apr 30 2022

web thesaurus nano nah noh prefix 1 one billionth part of a nano la luz tarda aproximadamente un nanosegundo en recorrer un pie de distancia light takes approximately one nanosecond to travel one foot of distance copyright curiosity media inc nanao nana kid familiar nana

*nano english edition edición kindle amazon com mx* - Mar 10 2023

web saltar al contenido principal com mx hola elige tu dirección

nano english edition kindle ausgabe amazon de - Jul 02 2022

web nano english edition ebook garnett kj amazon de kindle shop zum hauptinhalt wechseln de hallo lieferadresse wählen kindle shop de hallo anmelden konto und listen warenrücksendungen und bestellungen einkaufs wagen einkaufswagen alle kundensupport bei

*nano translation in english spanish english dictionary reverso* - Nov 06 2022

web nano a sm f kid nana ñaño a lam a adj amigo close consentido spoiled b sm f amigo friend hermano mayor elder brother sister

**kbc nano kumar book centre** - Aug 03 2022

web english environment essay ethics forestry geography history law management mathematics medical science philosophy physics political science psychology bihar samagra english 6th edition anisha bharti kbc nano 23 041 310 425 27 off quick view upsc epfo apfc exam 2023 25 complete mock tests kbc nano

**nano english podcast on spotify** - Jul 14 2023

web listen to nano english on spotify let s learn english together nano love to learn via songs stories news and social interactions

**borpower premium edition nnt nano teknoloji a Ş** - Apr 11 2023

web borpower premium edition yeni nesil bir fiziksel yağlayıcıdır fiziksel yağlayıcılar teknolojiye sıvı yağlayıcıların etkili olmadığı ortamlarda kullanılmaktadır nano yapılı bor kristalleri iki sürtünen metal arasında sıvı yağlayıcı azalsa ve tükense bile mükemmel şekilde yağlama görevini görmeye devam eder

**nano english edition ebooks em inglês na amazon com br** - Jun 01 2022

web compre nano english edition de goulding james watkins jordan na amazon com br confira também os ebooks mais vendidos lançamentos e livros digitais exclusivos

[nano english edition ebooks em inglês na amazon com br](#) - Feb 26 2022

web compre nano english edition de macleod isabella na amazon com br confira também os ebooks mais vendidos lançamentos e livros digitais exclusivos nano english edition ebooks em inglês na amazon com br

*nano english edition by robin cook jetpack theaoi* - Dec 27 2021

web the nano materials science journal is a peer reviewed open access journal english edition materials science for energy technologies nanotechnology and precision engineering natural gas industry b propulsion and power research sensors international solid state electronics

**nano english edition help environment harvard edu** - May 12 2023

web nano english edition if you ally compulsion such a referred nano english edition books that will have the funds for you worth acquire the very best seller from us currently from several preferred authors if you want to hilarious books lots of novels tale jokes and more fictions collections are then launched from best seller to one of the

[nano english edition versión kindle amazon es](#) - Jan 28 2022

web selecciona el departamento que quieras buscar

[nano for windows download sourceforge net](#) - Jun 13 2023

web apr 20 2022 nano for windows gnu nano command line text editor brought to you by pedroalbanese 2 reviews downloads 183 this week last update 2022 04 20 download summary files reviews support tickets gnu nano is a text editor for unix like computing systems or operating environments using a command line interface

[nano english edition ebook amazon es](#) - Jan 08 2023

web selecciona el departamento que quieras buscar

[nano english edition format kindle amazon fr](#) - Oct 05 2022

web achetez et téléchargez ebook nano english edition boutique kindle medical amazon fr  
[nano download review softpedia](#) - Dec 07 2022

web download nano 2 5 3 a simple text editor resembling a command prompt layout as well as different functions to read and write under various file formats

*nano english edition formato kindle amazon it* - Sep 04 2022

web nano english edition ebook cook robin amazon it kindle store passa al contenuto principale it ciao scegli il tuo indirizzo kindle store seleziona la categoria in cui desideri effettuare la ricerca ricerca amazon it ciao accedi  
[nano downloads](#) - Feb 09 2023

web get nano n news w who t git d documentation h history s screenshots c contact

**windows 7 super nano lite microsoft free download borrow** - Aug 15 2023

web apr 3 2019 microsoft publication date 2019 04 03 topics windows 7 lite windows 7 super lite windows 7 super nano lite language english created by blzos and modified by alexey petrov this windows 7 iso has been 300 mb build year 2019 2023 version 6 1 7601 sp1 service pack 1 developer microsoft build author blzos

*solucionario fisicoquimica raymond chang* - Jun 09 2022

web libro gratis química de raymond chang 10 edición mcgraw quimica chang sign in details fisicoquimica raymond chang 3ra edicion pdf download download full

**fisicoquímica by chang raimond open library** - Mar 18 2023

web fisicoquímica para las ciencias químicas y biológicas raymond chang 3 edición pdf free ebook download as pdf file pdf or read book online for free

[quimica general 7ma edicion raymond chang pdf google drive](#) - Oct 13 2022

web view download fisicoquímica para las ciencias químicas y biológicas raymond chang 3 edición as pdf for free

**fisicoquimica chang free download borrow and streaming** - Sep 24 2023

web mar 29 2021 manual de físicoquímica addeddate 2021 03 29 14 24 39 identifier fisicoquimica chang identifier ark ark 13960 t1qg95b5s ocr tesseract 5 0 0 alpha 20201231 10 g1236

**gauticnaitrood fisicoquimica raymond chang 3ra edicionpdf** - Mar 06 2022

web jun 20 2023 chang fisicoquimica 2 9 downloaded from uniport edu ng on june 20 2023 by guest properties this volume is a status report on the synthesis properties and appli

**chang fisicoquimica pdf pdf scribd** - Apr 19 2023

web feb 24 2023 fisicoquímica by chang raimond 2008 mcgraw hill interamericana de mexico mcgraw hill interamericana de españa s l mcgraw

[fisicoquímica con aplicaciones a sistemas biológicos raymond](#) - Jul 10 2022

web chang fisicoquimica 1 6 downloaded from uniport edu ng on april 11 2023 by guest chang fisicoquimica getting the books chang fisicoquimica now is not type of

**download pdf chang fisicoquimica 1 pdf** - Nov 14 2022

web chang fisicoquimica 1 pdf uploaded by ricardo cortez 0 0 october 2022 pdf bookmark this document was uploaded by user and they confirmed that they have the

*archive org* - Jan 16 2023

web jun 25 2008 raymond chang b 1939 is the husband of margaret chang he grew up in shanghai china during world war ii and the civil war that followed he has contributed

**chang fisicoquimica pdf uniport edu** - Nov 02 2021

*chang fisicoquimica 1 pdf 5lw22z1on2lj doku* - Sep 12 2022

web fisicoquímica con aplicaciones a sistemas biológicos raymond chang compañía editorial continental 1986 792 pages

**pdf fisicoquimica chang rafael seañez** - Aug 23 2023

web apr 24 2008 fisicoquímica author raymond chang publisher mcgraw hill interamericana de españa s l 2008 isbn 9701066529 9789701066522 length

*fisicoquimica chang pdf pdf scribd* - May 20 2023

web chang fisicoquimica pdf pdf 86 7 7k views 251 pages chang fisicoquimica pdf uploaded by ricardo cortez copyright all rights reserved available formats

*fisicoquímica raymond chang google books* - Jul 22 2023

web view details request a review learn more

**fisicoquímica para las ciencias químicas y biológicas** - Aug 11 2022

web raymond chang march 6 1939 april 10 2017 was an emeritus professor at williams on august 3 1968 he married margaret a scrooge who was a librarian writer and the

**fisicoquímica para las ciencias químicas y biológicas** - Feb 17 2023

web archive org

**chemical change definition meaning dictionary com** - Feb 05 2022

[difference between physical change and chemical change](#) - Jan 04 2022

[haapiddlachi fisicoquimica raymond chang 3ra edicionpdf](#) - May 08 2022

web dec 30 2017 example of both changes occurring simultaneously burning of candle while melting of wax is a physical change as the state of the substance changes from solid to

**química raymond chang 10a edición pdf google drive** - Jun 21 2023

web fisicoquimica chang pdf free ebook download as pdf file pdf or read book online for free

[chang fisicoquimica pdf uniport edu](#) - Apr 07 2022

web química 11va edicion raymond chang freelibros org pdf google drive

[química 11va edicion raymond chang freelibros org pdf](#) - Dec 03 2021

*fisicoquimica by raymond chang goodreads* - Dec 15 2022

web request a review learn more signature pending