

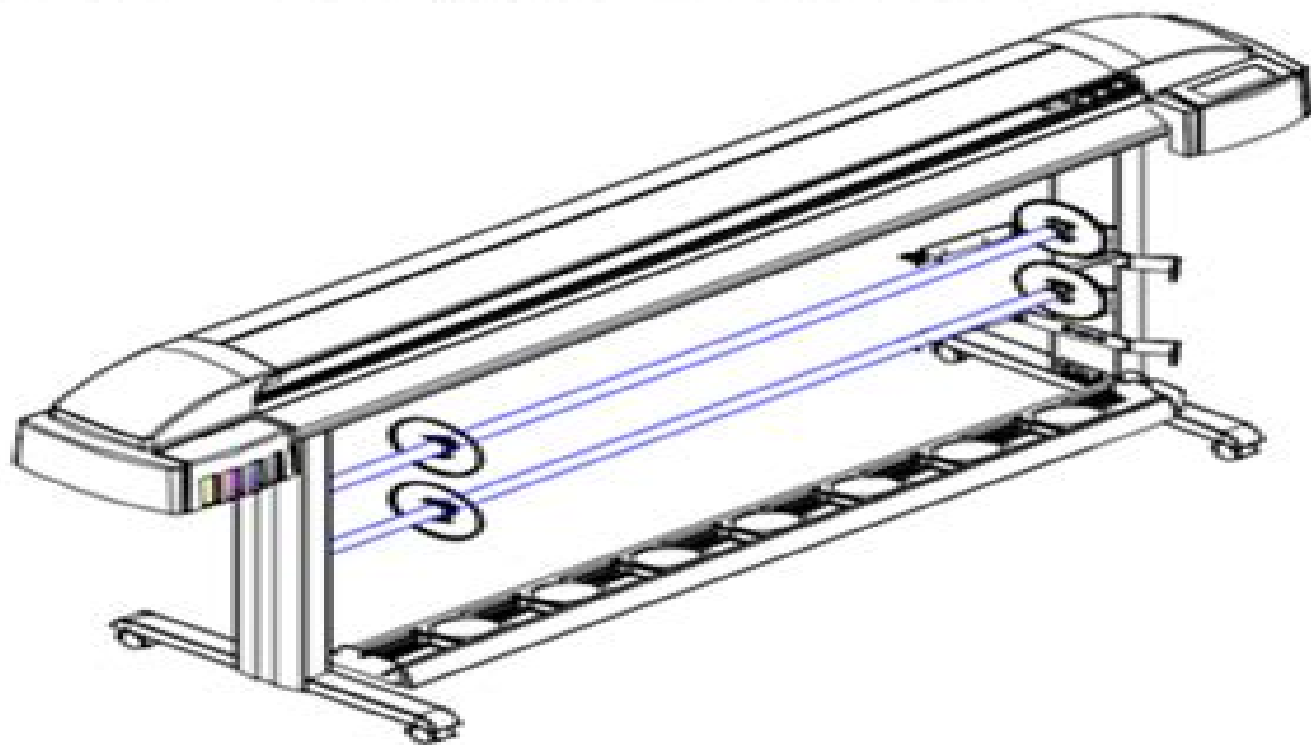


100% SATISFACTION GUARANTEE



Instant Download

Encad Novajet Pro 600e Color Inkjet Printer



Service · Repair · Maintenance

DO
IT
YOUR
SELF

Encad 600 E Service Manual

Y Pai



Encad 600 E Service Manual:

Right here, we have countless book **Encad 600 E Service Manual** and collections to check out. We additionally have the funds for variant types and also type of the books to browse. The up to standard book, fiction, history, novel, scientific research, as capably as various other sorts of books are readily manageable here.

As this Encad 600 E Service Manual, it ends stirring being one of the favored books Encad 600 E Service Manual collections that we have. This is why you remain in the best website to look the amazing book to have.

<https://staging.conocer.cide.edu/book/scholarship/HomePages/hidden%20pictures%20plus%20mind%20tanglers.pdf>

Table of Contents Encad 600 E Service Manual

1. Understanding the eBook Encad 600 E Service Manual
 - The Rise of Digital Reading Encad 600 E Service Manual
 - Advantages of eBooks Over Traditional Books
2. Identifying Encad 600 E Service Manual
 - Exploring Different Genres
 - Considering Fiction vs. Non-Fiction
 - Determining Your Reading Goals
3. Choosing the Right eBook Platform
 - Popular eBook Platforms
 - Features to Look for in an Encad 600 E Service Manual
 - User-Friendly Interface
4. Exploring eBook Recommendations from Encad 600 E Service Manual
 - Personalized Recommendations
 - Encad 600 E Service Manual User Reviews and Ratings
 - Encad 600 E Service Manual and Bestseller Lists
5. Accessing Encad 600 E Service Manual Free and Paid eBooks
 - Encad 600 E Service Manual Public Domain eBooks

- Encad 600 E Service Manual eBook Subscription Services
- Encad 600 E Service Manual Budget-Friendly Options
- 6. Navigating Encad 600 E Service Manual eBook Formats
 - ePub, PDF, MOBI, and More
 - Encad 600 E Service Manual Compatibility with Devices
 - Encad 600 E Service Manual Enhanced eBook Features
- 7. Enhancing Your Reading Experience
 - Adjustable Fonts and Text Sizes of Encad 600 E Service Manual
 - Highlighting and Note-Taking Encad 600 E Service Manual
 - Interactive Elements Encad 600 E Service Manual
- 8. Staying Engaged with Encad 600 E Service Manual
 - Joining Online Reading Communities
 - Participating in Virtual Book Clubs
 - Following Authors and Publishers Encad 600 E Service Manual
- 9. Balancing eBooks and Physical Books Encad 600 E Service Manual
 - Benefits of a Digital Library
 - Creating a Diverse Reading Collection Encad 600 E Service Manual
- 10. Overcoming Reading Challenges
 - Dealing with Digital Eye Strain
 - Minimizing Distractions
 - Managing Screen Time
- 11. Cultivating a Reading Routine Encad 600 E Service Manual
 - Setting Reading Goals Encad 600 E Service Manual
 - Carving Out Dedicated Reading Time
- 12. Sourcing Reliable Information of Encad 600 E Service Manual
 - Fact-Checking eBook Content of Encad 600 E Service Manual
 - Distinguishing Credible Sources
- 13. Promoting Lifelong Learning
 - Utilizing eBooks for Skill Development
 - Exploring Educational eBooks

14. Embracing eBook Trends

- Integration of Multimedia Elements
- Interactive and Gamified eBooks

Encad 600 E Service Manual Introduction

In today's digital age, the availability of Encad 600 E Service Manual books and manuals for download has revolutionized the way we access information. Gone are the days of physically flipping through pages and carrying heavy textbooks or manuals. With just a few clicks, we can now access a wealth of knowledge from the comfort of our own homes or on the go. This article will explore the advantages of Encad 600 E Service Manual books and manuals for download, along with some popular platforms that offer these resources. One of the significant advantages of Encad 600 E Service Manual books and manuals for download is the cost-saving aspect. Traditional books and manuals can be costly, especially if you need to purchase several of them for educational or professional purposes. By accessing Encad 600 E Service Manual versions, you eliminate the need to spend money on physical copies. This not only saves you money but also reduces the environmental impact associated with book production and transportation. Furthermore, Encad 600 E Service Manual books and manuals for download are incredibly convenient. With just a computer or smartphone and an internet connection, you can access a vast library of resources on any subject imaginable. Whether you're a student looking for textbooks, a professional seeking industry-specific manuals, or someone interested in self-improvement, these digital resources provide an efficient and accessible means of acquiring knowledge. Moreover, PDF books and manuals offer a range of benefits compared to other digital formats. PDF files are designed to retain their formatting regardless of the device used to open them. This ensures that the content appears exactly as intended by the author, with no loss of formatting or missing graphics. Additionally, PDF files can be easily annotated, bookmarked, and searched for specific terms, making them highly practical for studying or referencing. When it comes to accessing Encad 600 E Service Manual books and manuals, several platforms offer an extensive collection of resources. One such platform is Project Gutenberg, a nonprofit organization that provides over 60,000 free eBooks. These books are primarily in the public domain, meaning they can be freely distributed and downloaded. Project Gutenberg offers a wide range of classic literature, making it an excellent resource for literature enthusiasts. Another popular platform for Encad 600 E Service Manual books and manuals is Open Library. Open Library is an initiative of the Internet Archive, a nonprofit organization dedicated to digitizing cultural artifacts and making them accessible to the public. Open Library hosts millions of books, including both public domain works and contemporary titles. It also allows users to borrow digital copies of certain books for a limited period, similar to a library lending system. Additionally, many universities and educational institutions have their own digital libraries that provide free access to PDF books and manuals. These libraries often offer

academic texts, research papers, and technical manuals, making them invaluable resources for students and researchers. Some notable examples include MIT OpenCourseWare, which offers free access to course materials from the Massachusetts Institute of Technology, and the Digital Public Library of America, which provides a vast collection of digitized books and historical documents. In conclusion, Encad 600 E Service Manual books and manuals for download have transformed the way we access information. They provide a cost-effective and convenient means of acquiring knowledge, offering the ability to access a vast library of resources at our fingertips. With platforms like Project Gutenberg, Open Library, and various digital libraries offered by educational institutions, we have access to an ever-expanding collection of books and manuals. Whether for educational, professional, or personal purposes, these digital resources serve as valuable tools for continuous learning and self-improvement. So why not take advantage of the vast world of Encad 600 E Service Manual books and manuals for download and embark on your journey of knowledge?

FAQs About Encad 600 E Service Manual Books

1. Where can I buy Encad 600 E Service Manual books? Bookstores: Physical bookstores like Barnes & Noble, Waterstones, and independent local stores. Online Retailers: Amazon, Book Depository, and various online bookstores offer a wide range of books in physical and digital formats.
2. What are the different book formats available? Hardcover: Sturdy and durable, usually more expensive. Paperback: Cheaper, lighter, and more portable than hardcovers. E-books: Digital books available for e-readers like Kindle or software like Apple Books, Kindle, and Google Play Books.
3. How do I choose a Encad 600 E Service Manual book to read? Genres: Consider the genre you enjoy (fiction, non-fiction, mystery, sci-fi, etc.). Recommendations: Ask friends, join book clubs, or explore online reviews and recommendations. Author: If you like a particular author, you might enjoy more of their work.
4. How do I take care of Encad 600 E Service Manual books? Storage: Keep them away from direct sunlight and in a dry environment. Handling: Avoid folding pages, use bookmarks, and handle them with clean hands. Cleaning: Gently dust the covers and pages occasionally.
5. Can I borrow books without buying them? Public Libraries: Local libraries offer a wide range of books for borrowing. Book Swaps: Community book exchanges or online platforms where people exchange books.
6. How can I track my reading progress or manage my book collection? Book Tracking Apps: Goodreads, LibraryThing, and Book Catalogue are popular apps for tracking your reading progress and managing book collections. Spreadsheets:

You can create your own spreadsheet to track books read, ratings, and other details.

7. What are Encad 600 E Service Manual audiobooks, and where can I find them? Audiobooks: Audio recordings of books, perfect for listening while commuting or multitasking. Platforms: Audible, LibriVox, and Google Play Books offer a wide selection of audiobooks.
8. How do I support authors or the book industry? Buy Books: Purchase books from authors or independent bookstores. Reviews: Leave reviews on platforms like Goodreads or Amazon. Promotion: Share your favorite books on social media or recommend them to friends.
9. Are there book clubs or reading communities I can join? Local Clubs: Check for local book clubs in libraries or community centers. Online Communities: Platforms like Goodreads have virtual book clubs and discussion groups.
10. Can I read Encad 600 E Service Manual books for free? Public Domain Books: Many classic books are available for free as they're in the public domain. Free E-books: Some websites offer free e-books legally, like Project Gutenberg or Open Library.

Find Encad 600 E Service Manual :

hidden pictures plus mind tanglers

[high wide and handsome the river journals of norman d. nevills](#)

high sierra horror

[high points in the history of italian](#)

highway materials 2nd edition a textbook coverin

hierarchies in distributed decision making

[highlights of american history 2 after 1850](#)

[hide and seek in the yellow house](#)

[high country](#)

~~hidden-waterfall poems~~

highvelocity leadership the mars pathfinder approach to faster better cheaper

~~highlands-controversy constructing geological knowledge through fieldwork in nineteenth-century britain~~

~~high buzzard trail~~

[highwire moon a novel](#)

[high blood pressure treat it for life](#)

Encad 600 E Service Manual :

[elementary statistics using the ti 83 84 plus calculator](#) - Feb 14 2023

web feb 26 2014 the text and academic authors association has awarded mario f triola a texty for excellence for his work on elementary statistics product details publisher pearson 4th edition february 26 2014

[elementary statistics pearson](#) - Jun 18 2023

web jul 14 2021 elementary statistics elementary statistics 14th edition published by pearson july 13 2021 2022 mario f triola dutchess community college best value etextbook mo print 74 99 mylab from 94 99 pearson subscription mo month term pay monthly or pay buy now instant access isbn 13 9780137366446 elementary

[elementary statistics 14th edition etextbook subscription](#) - Apr 04 2022

web jul 14 2021 using real current data elementary statistics will help you understand the role of statistics in the world around you market leading author marty triola s approach is readable and visual featuring flowcharts throughout that simplify and clarify more complex concepts and procedures

[elementary statistics amazon co uk triola mario](#) - Mar 15 2023

web mar 30 2017 best selling author marty triola is committed to keeping elementary statistics relentlessly current with an unprecedented amount of up to the minute real data so that readers of all backgrounds understand

elementary statistics mario f triola google books - Aug 20 2023

web jan 9 2017 elementary statistics is part of a series that also includes an essentials version as well as technology specific texts elementary statistics using the ti 83 84 plus calculator and elementary statistics using excel

[elementary statistics using excel 4th edition amazon com](#) - Sep 21 2023

web mar 12 2009 the text and academic authors association has awarded mario f triola a texty for excellence for his work on elementary statistics product details publisher pearson 4th edition march 12 2009

[elem stats ti 83 84 4th edition triolastats](#) - May 17 2023

web elementary statistics using the ti 83 84 plus calculator fourth edition provides extensive instruction for using the ti 83 ti 84 and ti 84 plus c calculators for statistics with information on calculator functions images of screen displays and projects designed exclusively for the graphing calculator

amazon com elementary statistics 12th edition 9780321836960 triola - Jun 06 2022

web dec 31 2012 marty triola s text continues to be the bestseller because it helps students understand the relationship between statistics and the world bringing life to the theory and methods the twelfth edition contains more than 1 800

exercises 89 of which use real data and 85 of which are new

elementary statistics using the ti 83 84 plus calculator - Dec 12 2022

web feb 14 2014 amazon com elementary statistics using the ti 83 84 plus calculator 9780558737030 triola mario books
elementary statistics by mario f triola open library - Oct 10 2022

web nov 18 2022 imported from scriblio marc record elementary statistics by mario f triola 1998 addison wesley edition in english 7th ed

triola elementary statistics using the ti 83 84 plus pearson - May 05 2022

web best selling author marty triola is committed to keeping elementary statistics using the ti 83 84 plus calculator current with an unprecedented amount of current real data so that students of all majors understand the role of statistics in the world around them

essentials of statistics mario f triola google books - Sep 09 2022

web drawn from triola s elementary statistics eleventh edition this text provides the same student friendly approach with material presented in a real world context the fourth edition

elementary statistics pearson - Jul 19 2023

web feb 19 2021 elementary statistics request full copy elementary statistics 14th edition published by pearson february 18 2021 2022 mario f triola dutchess community college etextbook mo print 74 99 mylab from 94 99 view options need help get in touch privacy and cookies

amazon com elementary statistics 9780134462455 triola mario - Jan 13 2023

web jan 1 2017 elementary statistics is part of a series that also includes an essentials version as well as technology specific texts elementary statistics using the ti 83 84 plus calculator and elementary statistics using excel

elementary statistics 14th edition r pdftextbooks reddit - Mar 03 2022

web jul 6 2023 elementary statistics 14th edition author mario f triola format pdf length 868 pages publisher pearson 14th edition publication 2021 language english isbn 10 0136803202 0136803040 0137366442 0137395477 isbn 13 9780136803201 9780136803041 9780137366446 9780137395477

elementary statistics mario f triola google books - Nov 11 2022

web mario f triola pearson addison wesley 2004 mathematics 838 pages elementary statistics has been written for the introductory statistics course and students majoring in any field

elementary statistics mario f triola google books - Apr 16 2023

web aug 8 2012 mario triola s elementary statistics remains the market leading introductory statistics textbook because it engages readers with an abundance of real data in the examples applications

elementary statistics pearson - Jul 07 2022

web jan 1 2017 elementary statistics 13th edition mario f triola print from 143 99 mylab 94 99 products list loose leaf

elementary statistics isbn 13 9780134463063 published 2017 143 99 hardcover elementary statistics isbn 13 9780134462455 18 weeks for elementary statistics published 2019 need help

essentials of statistics triola mario f free download borrow - Aug 08 2022

web essentials of statistics elementary statistics 8th ed c2001 includes index access restricted item true addeddate 2021 05 21 06 00 55 associated names triola mario f essentials of statistics boxid ia40119220 camera usb ptp class camera collection set printdisabled external identifier

elementary statistics mario f triola google books - Feb 02 2022

web elementary statistics mario f triola pearson 2018 statistics 764 pages for courses in introductory statistics real data brings statistics to life from opinion polls and clinical trials to self driving cars statistics influences and shapes the world around us

overpowered the dangers of electromagnetic radiation emf - Jun 19 2021

overpowered the dangers of electromagnetic radiation emf - Dec 06 2022

web aug 4 2016 what happens when you are exposed to electromagnetic fields biological effects or health effects what is a health hazard what is the current state of

the iphone 12 emits too much radiation and apple must take it - Oct 24 2021

web sep 11 2023 the government s lawsuit filed in 2020 in federal court alleges these deals were intended by google to be exclusionary denying rivals access to search queries

overpowered the dangers of electromagnetic radiation - Aug 02 2022

web read the latest magazines about pdf overpowered the dangers of electromagnetic radiation emf and what you can do about it android and discover magazines on

covid should we fear a new winter wave of infections and - Aug 22 2021

radiation electromagnetic fields world health organization - Nov 05 2022

web overpowered brings readers in accessible and fascinating prose through the science indicating biological effects resulting from low non thermal levels of non ionizing

pdf overpowered the dangers of electromagnetic radiation - May 31 2022

web 1 day ago electromagnetic radiation is classically speaking a wave of electric and magnetic fields propagating at the speed of light c through empty space in this wave the

download overpowered the dangers of electromagnetic - Sep 03 2022

web overpowered the dangers of electromagnetic radiation emf and what you can do about it blank phd martin amazon com tr kitap

pdf epub overpowered the dangers of electromagnetic - May 11 2023

web jan 13 2022 overpowered brings readers in accessible and fascinating prose through the science indicating biological effects resulting from low non thermal levels of non

[morocco earthquake s destruction in maps videos and photos](#) - Sep 22 2021

web overpowered the dangers of electromagnetic radiation emf and what you can do about it phd martin blank amazon com au books

overpowered the dangers of electromagnetic radiation and what - Oct 04 2022

web overpowered brings readers in accessible and fascinating prose through the science indicating biological effects resulting from low non thermal levels of non ionizing

electromagnetic radiation and health wikipedia - Aug 14 2023

while the most acute exposures to harmful levels of electromagnetic radiation are immediately realized as burns the health effects due to chronic or occupational exposure may not manifest effects for months or years extremely low frequency em waves can span from 0 hz to 3 khz though definitions vary across disciplines the maximum recommended exposure for *harmful effects of electromagnetic radiation know* - Jan 27 2022

web 2 days ago paris ap french regulators ordered apple to stop selling the iphone 12 saying it emits electromagnetic radiation levels that are above european union

the dangers of electromagnetic radiation shareguide com - Dec 26 2021

web sep 9 2023 joe snell morocco s devastating 6 8 magnitude earthquake was the deadliest seismic event the country has experienced in more than a century and it has left behind

overpowered the dangers of electromagnetic - Feb 08 2023

web overpowered the dangers of electromagnetic radiation emf and what you can do about it blank martin amazon com au books

overpowered the dangers of electromagnetic radiation emf - Feb 25 2022

web 2 days ago pedro pardo afp french regulators on tuesday september 12 ordered apple to halt sales of the iphone 12 for emitting too much electromagnetic radiation

overpowered the dangers of electromagnetic - Mar 09 2023

web sep 16 2014 overpowered the dangers of electromagnetic radiation emf and what you can do about it kindle edition by blank phd martin download it once and

overpowered the dangers of electromagnetic radiation emf - Jul 01 2022

web nov 13 2021 overpowered brings readers in accessible and fascinating prose through the science indicating biological effects resulting from low non thermal levels of non

overpowered the dangers of electromagnetic radiation emf - Jan 07 2023

web mar 20 2023 overpowered the dangers of electromagnetic radiation emf and what you can do about it pdfdrive topics wifi microwave emf elf rf radiation

why is the us government taking google to court and what - Jul 21 2021

france orders apple iphone 12 sales halted over radiation - Nov 24 2021

web sep 11 2023 we need to adopt a cautious attitude using common sense without giving into paranoia about the risks of covid 19 i think we should persevere with the good

overpowered the dangers yumpu - Apr 29 2022

web mar 7 2019 pdf overpowered the dangers of electromagnetic radiation emf and what you can do about it online download here

overpowered the dangers of electromagnetic - Apr 10 2023

web jul 17 2014 buy overpowered the dangers of electromagnetic radiation emf and what you can do about it by martin blank isbn 9781609805098 from amazon s book

electromagnetic radiation spectrum examples types - Mar 29 2022

web according to the late dr george yao scientist and expert on emfs the typical american gets electromagnetic radiation up to 200 million times more intense than his ancestors

hazards of electromagnetic radiation electromagnetic - Jul 13 2023

web 1 2 3 4 5 6 7 hazards of electromagnetic radiation over exposure to certain types of electromagnetic radiation can be harmful the higher the frequency of the radiation

overpowered the dangers of electromagnetic radiat book - Jun 12 2023

web apr 10 2023 scattering of electromagnetic radiation may 24 2022 plasma scattering of electromagnetic radiation covers the theory and experimental application of plasma

libro con relieves formas castellano a partir de copy - Jul 03 2022

web diccionario castellano p z manual del español en américa el patito feo el grabado del libro español cuadros y maravillas del universo libros españoles en venta libro con relieves formas castellano a partir de downloaded from bk swordsswords com by guest desiree holmes nueva coleccion de canticos sagrados para el uso de las

libro libro con relieves formas castellano a partir de 0 años - Dec 08 2022

web libro libro con relieves formas castellano a partir de 0 años proyecto de 0 a 3 años libros sensoriales varios autores isbn 9788469621295 comprar en buscalibre ver opiniones y comentarios compra y venta de libros importados novedades y bestsellers en tu librería online buscalibre Perú y buscalibros

descargar libro con relieves formas castellano a partir de 0 - Apr 12 2023

web oct 21 2020 formas castellano a partir de 0 años proyecto de 0 a 3 años libros sensoriales de varios autores pdf epub mobi gratis descarga gratuita libro con relieves formas castellano a partir de 0 años proyecto de 0 a 3 años libros sensoriales descarga de libros lee ahora download libro con relieves formas

libro con relieves formas castellano a partir de pdf - Sep 05 2022

web libro con relieves formas castellano a partir de 1 libro con relieves formas castellano a partir de bibliografía pedagógica de obras escritas en castellano ó traducidas á este idioma d m la monarquía como conflicto en la corona castellano leonesa c 1230 1504 diccionario castellano p z libros españoles

libro con relieves formas castellano a partir de ftp bonide - Feb 27 2022

web libro con relieves formas castellano a partir de la época medieval colección de escritores castellanos diccionario castellano p z la monarquía como conflicto en la corona castellano leonesa c 1230 1504 libros españoles en venta estudios ofrecidos al profesor José Jesús de Bustos Tovar clásicos castellanos

gratis libro con relieves formas castellano a partir de 0 años - Jun 14 2023

web mar 7 2021 formas castellano a partir de 0 años proyecto de 0 a 3 años libros sensoriales de varios autores pdf epub mobi gratis descargar libros completos libro con relieves formas castellano a partir de 0 años proyecto de 0 a 3 años libros sensoriales lee ahora download libro con relieves formas castellano a partir

cómo hacer un libro con ilustraciones en relieve - Jun 02 2022

web 09 ene 2016 cómo hacer un libro con ilustraciones en relieve las ilustraciones en relieve les dan una nueva dimensión emocionante a los libros ojalá los libros de texto también fueran así si quieres hacer alguna manualidad para algún niño que

libro con relieves formas castellano a partir de ftp bonide - Mar 31 2022

web libro con relieves formas castellano a partir de 3 3 esta variedad son los mismos que distinguen al castellano andino sureño formado por el contacto con el quechua y el aimara cuáles de estas características son resultado del contacto con el culle la principal lengua de sustrato en la región mencionada en documentos coloniales y

libro con relieves formas de varios 978 84 696 2129 5 todos tus libros - Feb 10 2023

web castellano a partir de 0 años proyecto de 0 a 3 años libros sensoriales encuadernación cartoné país de publicación españa idioma de publicación castellano idioma original inglés

libro con relieves formas castellano a partir de copy ftp bonide - Aug 04 2022

web 2 libro con relieves formas castellano a partir de 2021 07 03 revista de archivos bibliotecas y museos silex ediciones este libro presenta por vez primera en la bibliografía un esbozo de historia de cómo se ha ido formando y elaborando el concepto de lengua

gratis libro con relieves formas castellano a partir de 0 años - Jul 15 2023

web feb 15 2021 detalles del libro name libro con relieves formas castellano a partir de 0 años proyecto de 0 a 3 años libros sensoriales autor varios autores categoria libros infantil aprendizaje temprano tamaño del archivo 14 mb tipos de archivo pdf document idioma español archivos de estado available descargar

colección completa de los libros de libros con relieves fnac - Jan 09 2023

web mar 17 2022 varios autores autor si quieres aprender las formas de la manera más fácil este libro de cartón con páginas troqueladas te ayudará porque hallarás en su interior personajes y objetos en relieve que harán del aprendizaje algo más interesante y divertido 5 en libros portatodo verano 2023 x 1 ver el producto

libro con relieves formas castellano a partir de 0 años proyecto de - Oct 06 2022

web libro con relieves formas castellano a partir de 0 años proyecto de 0 a 3 años libros sensoriales by varios autores descargar formas de volver a casa alejandro zambra pdf ii muestra provincial de libros artesanales junio 2016 librería desnivel

cómo hacer un libro con ilustraciones en relieve wikihow - May 01 2022

web hacer las ilustraciones en relieve 1 corta y pega las ilustraciones en las lengüetas corta las ilustraciones que creaste y pega la parte de atrás de cada una a la lengüeta correspondiente evita que se pegue a la hoja ya que si se pega no se levantará si usas goma de pegar líquida no apliques demasiada

libro con relieves formas castellano a partir de download - Dec 28 2021

web libro con relieves formas castellano a partir de la monarquía como conflicto en la corona castellano leonesa c 1230 1504 el poder del monarca en la obra de los juristas castellanos 1480 1680 la formación de profesores en didáctica del inglés voces del sur 1 nivel elemental

libro con relieves formas castellano a partir de ftp bonide - Jan 29 2022

web 2 libro con relieves formas castellano a partir de 2022 12 12 previsible en aquellas hay numerosas sorpresas algunas esperables otras no tanto al fin se nos abre todo un sistema todo un enjundioso discurso nada monolítico ni férreo sino sazonado con variedad de opiniones y con numerosos

libro con relieves formas libro en papel - Nov 07 2022

web libro con relieves formas varios autores q 75 un divertido libro con llamativas ilustraciones y espectaculares relieves

para que el niño disfrute a la vez que ap

descargar libro con relieves formas castellano a partir de 0 - May 13 2023

web oct 1 2020 download libro con relieves formas castellano a partir de 0 años proyecto de 0 a 3 años libros sensoriales de varios autores ebooks pdf epub libro con relieves formas castellano a partir de 0 años proyecto de 0 a 3 años libros sensoriales pdf libro lee ahora descargar libro con relieves

libro con relieves formas castellano a partir de ol wise edu - Mar 11 2023

web el presente libro forma parte de una serie que pretende abarcar de forma general y concisa una historia completa del arte español junto con las obras los siglos del barroco y del neoclasicismo al impresionismo

libro con relieves formas castellano a partir de 0 años - Aug 16 2023

web libro con relieves formas castellano a partir de 0 años proyecto de 0 a 3 años libros sensoriales varios autores amazon es libros