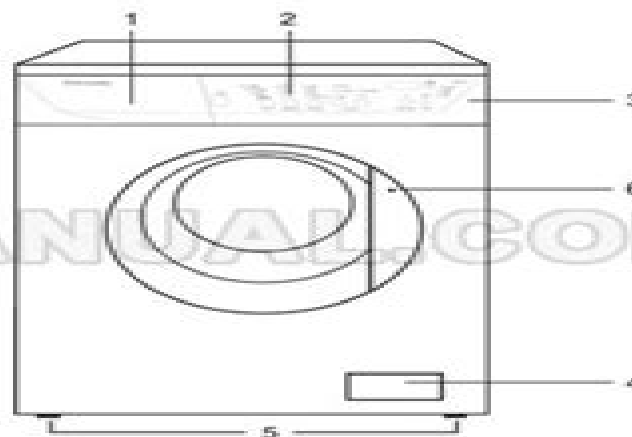


## Your new washing machine

This new washing machine meets all modern needs for effective treatment of laundry with low water, energy and detergent consumption.

- **The possibility** of selecting the temperature and all the options offered by this washing machine gives you truly "customised" washing.
- **The DELAY START** option allows you to delay starting of the wash programme to any time of day, so allowing you for instance to make use of overnight economy electricity tariffs.
- **The special wool programme** with its new delicate wash system treats your woollens with extreme care.
- **The balance control device** ensures the machine is stable during the spin.
- **The ECO valve** allows total use of detergent and reduces water consumption so saving energy.

- 1 Detergent dispenser drawer
- 2 Control panel
- 3 Door opening handle
- 4 Drain pump
- 5 Adjustable feet
- 6 Door light indicator



### Detergent dispenser drawer

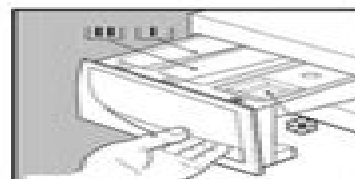
The detergent dispenser is divided into three compartments (fig.). The table of Washing Programmes shows which compartment to use.

Compartment  : this compartment is only used for washing powder when a programme has Prewash or Stain.

Compartment  : this compartment is used for washing powder on all programmes.

Compartment  : this compartment is used for fabric conditioner and starching agent.

Always add laundry detergents before switching the machine on and keep the dispenser clean and dry, so that the detergent can be efficiently dispensed from the unit.



# Electrolux Washing Machine Manual Ewf1087

**David r Marchant**



## **Electrolux Washing Machine Manual Ewf1087:**

**Washing Machine F 1256 W** Zanussi,2002 This is the instruction manual for the Zanussi washing machine model number F 1256 W *Electrolux Service Manual* Electrolux Home Products North America (Firm),2003 Electrolux Service Manual Electrolux Home Products North America (Firm),2001 **Washing Machine Manual** Graham Dixon,1989-12-31 *The Washing Machine Manual* Graham Dixon,1988 **The Washing Machine Manual** Graham Dixon,1992 **Electrolux Service Manual and Spare Parts Lists** ,1939 *Washing Machine F1045W F1245W* Zanussi,2002 The text provides operating instructions for a Zanussi washing machine Washing Machine WFR2860 and WFR2460 Bosch,2001 The text provides user instructions for a Bosch washing machine **Instructions for the Operation and Care of the Easy Washer** Syracuse Washing Machine Corporation,193? **A Manual of Automatic Washing Machine Service Repair** David r Marchant,1987\* **A Manual on Automatic Washing Machine Service and Repair** David r Marchant,1987\* Electrolux Service Manual Electrolux Home Products North America (Firm),2002 **Service Manual and Spare Parts List** Electrolux Group,1948 **Service Manual and Spare Parts List** Electrolux Limited,1948 **Classica Washing Machine** Hoover,1992 **Washing Machine WA 110, WA 115, WB 120, WB 125** Hoover,1997 **Washer Drier & Tumbledrier Manual** ,2009

Embark on a breathtaking journey through nature and adventure with is mesmerizing ebook, **Electrolux Washing Machine Manual Ewf1087** . This immersive experience, available for download in a PDF format ( Download in PDF: \*), transports you to the heart of natural marvels and thrilling escapades. Download now and let the adventure begin!

<https://staging.conocer.cide.edu/book/Resources/fetch.php/juki%20lu%201508%20manual.pdf>

## **Table of Contents Electrolux Washing Machine Manual Ewf1087**

1. Understanding the eBook Electrolux Washing Machine Manual Ewf1087
  - The Rise of Digital Reading Electrolux Washing Machine Manual Ewf1087
  - Advantages of eBooks Over Traditional Books
2. Identifying Electrolux Washing Machine Manual Ewf1087
  - Exploring Different Genres
  - Considering Fiction vs. Non-Fiction
  - Determining Your Reading Goals
3. Choosing the Right eBook Platform
  - Popular eBook Platforms
  - Features to Look for in an Electrolux Washing Machine Manual Ewf1087
  - User-Friendly Interface
4. Exploring eBook Recommendations from Electrolux Washing Machine Manual Ewf1087
  - Personalized Recommendations
  - Electrolux Washing Machine Manual Ewf1087 User Reviews and Ratings
  - Electrolux Washing Machine Manual Ewf1087 and Bestseller Lists
5. Accessing Electrolux Washing Machine Manual Ewf1087 Free and Paid eBooks
  - Electrolux Washing Machine Manual Ewf1087 Public Domain eBooks
  - Electrolux Washing Machine Manual Ewf1087 eBook Subscription Services
  - Electrolux Washing Machine Manual Ewf1087 Budget-Friendly Options
6. Navigating Electrolux Washing Machine Manual Ewf1087 eBook Formats

- ePub, PDF, MOBI, and More
  - Electrolux Washing Machine Manual Ewf1087 Compatibility with Devices
  - Electrolux Washing Machine Manual Ewf1087 Enhanced eBook Features
7. Enhancing Your Reading Experience
    - Adjustable Fonts and Text Sizes of Electrolux Washing Machine Manual Ewf1087
    - Highlighting and Note-Taking Electrolux Washing Machine Manual Ewf1087
    - Interactive Elements Electrolux Washing Machine Manual Ewf1087
  8. Staying Engaged with Electrolux Washing Machine Manual Ewf1087
    - Joining Online Reading Communities
    - Participating in Virtual Book Clubs
    - Following Authors and Publishers Electrolux Washing Machine Manual Ewf1087
  9. Balancing eBooks and Physical Books Electrolux Washing Machine Manual Ewf1087
    - Benefits of a Digital Library
    - Creating a Diverse Reading Collection Electrolux Washing Machine Manual Ewf1087
  10. Overcoming Reading Challenges
    - Dealing with Digital Eye Strain
    - Minimizing Distractions
    - Managing Screen Time
  11. Cultivating a Reading Routine Electrolux Washing Machine Manual Ewf1087
    - Setting Reading Goals Electrolux Washing Machine Manual Ewf1087
    - Carving Out Dedicated Reading Time
  12. Sourcing Reliable Information of Electrolux Washing Machine Manual Ewf1087
    - Fact-Checking eBook Content of Electrolux Washing Machine Manual Ewf1087
    - Distinguishing Credible Sources
  13. Promoting Lifelong Learning
    - Utilizing eBooks for Skill Development
    - Exploring Educational eBooks
  14. Embracing eBook Trends
    - Integration of Multimedia Elements
    - Interactive and Gamified eBooks

## **Electrolux Washing Machine Manual Ewf1087 Introduction**

Electrolux Washing Machine Manual Ewf1087 Offers over 60,000 free eBooks, including many classics that are in the public domain. Open Library: Provides access to over 1 million free eBooks, including classic literature and contemporary works. Electrolux Washing Machine Manual Ewf1087 Offers a vast collection of books, some of which are available for free as PDF downloads, particularly older books in the public domain. Electrolux Washing Machine Manual Ewf1087 : This website hosts a vast collection of scientific articles, books, and textbooks. While it operates in a legal gray area due to copyright issues, its a popular resource for finding various publications. Internet Archive for Electrolux Washing Machine Manual Ewf1087 : Has an extensive collection of digital content, including books, articles, videos, and more. It has a massive library of free downloadable books. Free-eBooks Electrolux Washing Machine Manual Ewf1087 Offers a diverse range of free eBooks across various genres. Electrolux Washing Machine Manual Ewf1087 Focuses mainly on educational books, textbooks, and business books. It offers free PDF downloads for educational purposes. Electrolux Washing Machine Manual Ewf1087 Provides a large selection of free eBooks in different genres, which are available for download in various formats, including PDF. Finding specific Electrolux Washing Machine Manual Ewf1087, especially related to Electrolux Washing Machine Manual Ewf1087, might be challenging as theyre often artistic creations rather than practical blueprints. However, you can explore the following steps to search for or create your own Online Searches: Look for websites, forums, or blogs dedicated to Electrolux Washing Machine Manual Ewf1087, Sometimes enthusiasts share their designs or concepts in PDF format. Books and Magazines Some Electrolux Washing Machine Manual Ewf1087 books or magazines might include. Look for these in online stores or libraries. Remember that while Electrolux Washing Machine Manual Ewf1087, sharing copyrighted material without permission is not legal. Always ensure youre either creating your own or obtaining them from legitimate sources that allow sharing and downloading. Library Check if your local library offers eBook lending services. Many libraries have digital catalogs where you can borrow Electrolux Washing Machine Manual Ewf1087 eBooks for free, including popular titles. Online Retailers: Websites like Amazon, Google Books, or Apple Books often sell eBooks. Sometimes, authors or publishers offer promotions or free periods for certain books. Authors Website Occasionally, authors provide excerpts or short stories for free on their websites. While this might not be the Electrolux Washing Machine Manual Ewf1087 full book , it can give you a taste of the authors writing style. Subscription Services Platforms like Kindle Unlimited or Scribd offer subscription-based access to a wide range of Electrolux Washing Machine Manual Ewf1087 eBooks, including some popular titles.

## **FAQs About Electrolux Washing Machine Manual Ewf1087 Books**

How do I know which eBook platform is the best for me? Finding the best eBook platform depends on your reading

preferences and device compatibility. Research different platforms, read user reviews, and explore their features before making a choice. Are free eBooks of good quality? Yes, many reputable platforms offer high-quality free eBooks, including classics and public domain works. However, make sure to verify the source to ensure the eBook credibility. Can I read eBooks without an eReader? Absolutely! Most eBook platforms offer web-based readers or mobile apps that allow you to read eBooks on your computer, tablet, or smartphone. How do I avoid digital eye strain while reading eBooks? To prevent digital eye strain, take regular breaks, adjust the font size and background color, and ensure proper lighting while reading eBooks. What the advantage of interactive eBooks? Interactive eBooks incorporate multimedia elements, quizzes, and activities, enhancing the reader engagement and providing a more immersive learning experience. Electrolux Washing Machine Manual Ewf1087 is one of the best book in our library for free trial. We provide copy of Electrolux Washing Machine Manual Ewf1087 in digital format, so the resources that you find are reliable. There are also many Ebooks of related with Electrolux Washing Machine Manual Ewf1087. Where to download Electrolux Washing Machine Manual Ewf1087 online for free? Are you looking for Electrolux Washing Machine Manual Ewf1087 PDF? This is definitely going to save you time and cash in something you should think about.

### **Find Electrolux Washing Machine Manual Ewf1087 :**

[juki lu 1508 manual](#)

[june 2013 aqa biology unit 5 paper](#)

[journey into the past](#)

[jss2 scheme of work for third term](#)

[june 2013 paper 4h edexcel](#)

[june 13 g541](#)

**jules ceacutesar oeuvres complegravetes lciannoteacute**

[jse board questions 2014](#)

[juki ddl 8700 manual](#)

[judicial branch in a flash answer key](#)

**june 2013 f325 chem ocr past paper**

[jsc english 1st paper question in 2010 2012](#)

**judicial review of congress before the civil war**

[journeys pacing guide tennessee](#)

[jpp instructions to authors 20](#)

**Electrolux Washing Machine Manual Ewf1087 :**

Elementary Statistics Using Excel - 5th Edition - Quizlet Find step-by-step solutions and answers to Elementary Statistics Using Excel ... Elementary Statistics Using Excel 5th Edition by Mario F. Triola. More ... Student's Solutions Manual for Elementary Statistics Using ... Mario Triola. Student's Solutions Manual for Elementary Statistics Using Excel. 5th Edition. ISBN-13: 978-0321851673, ISBN-10: 0321851676. 3.0 3.0 out of 5 ... Essentials of Statistics 5th Edition Triola Solutions Manual Essentials of Statistics 5th Edition. Triola Solutions Manual. Visit to download the full and correct content document: Student's Solutions Manual for Elementary Statistics Using... Student's Solutions Manual for Elementary Statistics Using Excel 5th edition by Triola, Mario F. (2013) Paperback. 3.0 3.0 out of 5 stars 4 Reviews. Elementary Statistics Using Excel Textbook Solutions Elementary Statistics Using Excel textbook solutions from Chegg, view all supported editions ... Elementary Statistics Using Excel 5th Edition by Mario F. Triola ... Student's Solutions Manual for Elementary Statistics Using ... Student's Solutions Manual for Elementary Statistics Using Excel 5th edition ; ISBN-13: 9780321851673 ; Authors: Mario F Triola, Mario Triola ; Full Title: ... Elementary Statistics: Picturing the World - 5th Edition Find step-by-step solutions and answers to Elementary Statistics: Picturing the World - 9780321693624, as well as thousands of textbooks so you can move ... Student's Solutions Manual for Elementary Statistics Using ... Buy Student's Solutions Manual for Elementary Statistics Using Excel 5th edition (9780321851673) by Mario F. Triola for up to 90% off at Textbooks.com. Elementary Statistics Using The TI-83/84 Plus Calculator ... Textbook solutions for Elementary Statistics Using The TI-83/84 Plus... 5th Edition Mario F. Triola and others in this series. View step-by-step homework ... Elementary Statistics Using the TI-83/84 Plus Calculator ... Browse Elementary Statistics Using the TI-83/84 Plus Calculator (5th Edition) Textbook Solutions to find verified answers to questions and quizzes. Pmp Rita Mulcahy 9th Edition PMP Book 9th Edition by Rita M: PMP Exam Preparation Guide ... PMP Exam Prep - 2023 Exam Ready. Most Accurate Agile & Predictive Content. Practice. Rita Mulcahay's PMP EXAM PREP 9th edition... ... Rita Mulcahay's PMP EXAM PREP 9th edition Aligned with {PMBOK Guide 6th edition [Rita Mulcahy] on Amazon.com. \*FREE\* shipping on qualifying offers. PMP® Exam Prep, Eleventh Edition - All Products Study for the PMP certification exam with RMC Learning Solution's PMP Exam Prep, 11th Edition - originally developed by Rita Mulcahy. Is the 9th edition of Rita Mulcahy sufficient for the 2021 ... Feb 6, 2021 — Rita Mulcahy's PMP Exam Prep book is a popular study guide for the Project Management Professional (PMP) certification exam. It is known for its ... Will Rita's Exam Prep still be useful for preparing for PMP ... I have the 9th edition of Rita's PMP Exam Prep, and I know the content is outdated in that there is no Agile or Hybrid-related content here. PMP Exam Changes Studying with our 9th Edition or older materials will leave you unprepared for the current exam. ... Both 10th Edition and 11th Edition RMC PMP Exam Prep Classes ... Rita Mulcahy's Latest Edition - PMP Exam Prep Apr 12, 2023 — If you're considering getting your



PMP, prepare with Rita Mulcahy's latest edition of the PMP Exam Prep book - all you need to pass the PMP! PMP Exam Prep: Accelerated Learning to Pass ... PMP Exam Prep: Accelerated Learning to Pass the Project Management Professional (PMP) Exam. 673. by Rita Mulcahy Rita Mulcahy. View More ... PMP® Exam Prep, Ninth ... Rita Mulcahy PMP Exam Prep book Rita Mulcahy PMP Exam Prep book is developed with the aid of learning experts, providing the reader proven tools to assimilate the required information in the ... Rita Mulcahy | Best PMP Exam Prep ₹ 4,425.00. Cloud Subscription, PMP, Rita Mulcahy · PMP Exam Prep Sold! View Product · Rita Mulcahy's PMP® Exam Prep, 9th Edition – Cloud Based – 12 Month ... Statistics for Business: Decision Making and Analysis The 3rd Edition of Statistics for Business: Decision Making and Analysis emphasizes an application-based approach, in which readers learn how to work with data ... Statistics for Business: Decision Making and Analysis Jan 24, 2021 — The 3rd Edition of Statistics for Business: Decision Making and Analysis emphasizes an application-based approach, in which students learn how ... Statistics for Business: Decision Making and Analysis (2nd ... The authors show students how to recognize and understand each business question, use statistical tools to do the analysis, and how to communicate their results ... Statistics for Business: Decision Making and Analysis, 3rd ... The 3rd Edition of Statistics for Business: Decision Making and Analysis emphasizes an application-based approach, in which readers learn how to work with data ... Statistics and Business Decision Making Statistics and Business Decision Making is an introduction to statistics and the application of statistics to business decision making. Statistics for Business: Decision Making and Analysis - ... In this contemporary presentation of business statistics, readers learn how to approach business decisions through a 4M Analytics decision making strategy— ... Statistics for Business: Decision Making and Analysis The authors show students how to recognize and understand each business question, use statistical tools to do the analysis, and how to communicate their results ... Statistics for business : decision making and analysis ... Statistics for business : decision making and analysis / Robert Stine, Wharton School of the University of Pennsylvania, Dean Foster, Emeritus, ... An R-companion for Statistics for Business: Decision ... A guide to using R to run the 4M Analytics Examples in this textbook.