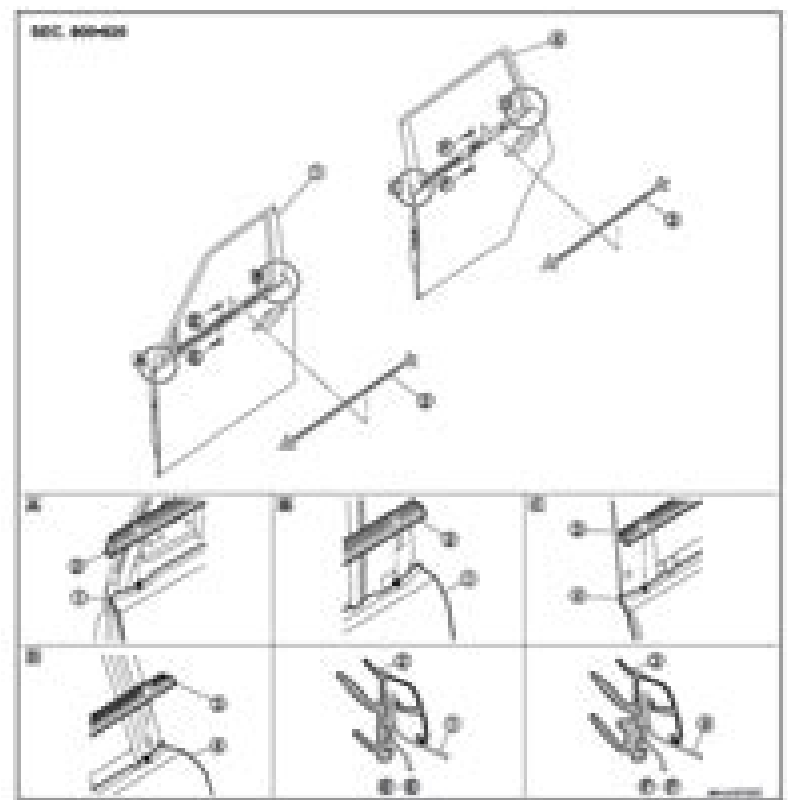


Bookmarks

- FWD
 - Exit
 - QUICK REFERENCE INDEX
 - FOREWORD
 - QUICK REFERENCE CHART
 - A: GENERAL INFORMATION
 - GI - General Information
 - B: ENGINE
 - EM - Engine Mechanical
 - LU - Engine Lubrication System
 - CO - Engine Cooling System
 - EC - Engine Control System
 - FL - Fuel System
 - EX - Exhaust System
 - STR - Starting System
 - ACC - Accelerator Control System

DOOR OUTSIDE MOLDING

- REMOVAL AND INSTALLATION -
DOOR OUTSIDE MOLDING
Exploded View



- 1 - Front door panel
- 2 - Front door outside molding
- 3 - Rear door outside molding
- 4 - Rear door panel
- △ - Fast

Removal and Installation
FRONT DOOR OUTSIDE MOLDING
Removal
1. Fully open door window

EXIT

Infiniti Qx80 Model Z62 Series Full Service Repair Manual 2014 Onwards

Nissan Jidōsha Kabushiki Kaisha



Infiniti Qx80 Model Z62 Series Full Service Repair Manual 2014 Onwards:

G20 Body Repair Manual ,1990 **Infiniti J30 Body Repair Manual** Nissan Jidōsha Kabushiki Kaisha,1992

Infiniti G20 Body Repair Manual Nissan Jidōsha Kabushiki Kaisha,1990 *Infiniti M30 Body Repair Manual* Nissan Jidōsha Kabushiki Kaisha,1990 **Chilton's General Motors Chevy Mid-size Cars, 1964-88 Repair Manual** ,1994 All models of Chevelle Malibu Laguna S 3 Monte Carlo El Camino including SS models diesel engines

Reviewing **Infiniti Qx80 Model Z62 Series Full Service Repair Manual 2014 Onwards**: Unlocking the Spellbinding Force of Linguistics

In a fast-paced world fueled by information and interconnectivity, the spellbinding force of linguistics has acquired newfound prominence. Its capacity to evoke emotions, stimulate contemplation, and stimulate metamorphosis is actually astonishing. Within the pages of "**Infiniti Qx80 Model Z62 Series Full Service Repair Manual 2014 Onwards**," an enthralling opus penned by a highly acclaimed wordsmith, readers set about an immersive expedition to unravel the intricate significance of language and its indelible imprint on our lives. Throughout this assessment, we shall delve to the book is central motifs, appraise its distinctive narrative style, and gauge its overarching influence on the minds of its readers.

<https://staging.conocer.cide.edu/results/book-search/Documents/Go%20Math%20Common%20Core%20Standards.pdf>

Table of Contents Infiniti Qx80 Model Z62 Series Full Service Repair Manual 2014 Onwards

1. Understanding the eBook Infiniti Qx80 Model Z62 Series Full Service Repair Manual 2014 Onwards
 - The Rise of Digital Reading Infiniti Qx80 Model Z62 Series Full Service Repair Manual 2014 Onwards
 - Advantages of eBooks Over Traditional Books
2. Identifying Infiniti Qx80 Model Z62 Series Full Service Repair Manual 2014 Onwards
 - Exploring Different Genres
 - Considering Fiction vs. Non-Fiction
 - Determining Your Reading Goals
3. Choosing the Right eBook Platform
 - Popular eBook Platforms
 - Features to Look for in an Infiniti Qx80 Model Z62 Series Full Service Repair Manual 2014 Onwards
 - User-Friendly Interface
4. Exploring eBook Recommendations from Infiniti Qx80 Model Z62 Series Full Service Repair Manual 2014 Onwards
 - Personalized Recommendations
 - Infiniti Qx80 Model Z62 Series Full Service Repair Manual 2014 Onwards User Reviews and Ratings

- Infiniti Qx80 Model Z62 Series Full Service Repair Manual 2014 Onwards and Bestseller Lists
- 5. Accessing Infiniti Qx80 Model Z62 Series Full Service Repair Manual 2014 Onwards Free and Paid eBooks
 - Infiniti Qx80 Model Z62 Series Full Service Repair Manual 2014 Onwards Public Domain eBooks
 - Infiniti Qx80 Model Z62 Series Full Service Repair Manual 2014 Onwards eBook Subscription Services
 - Infiniti Qx80 Model Z62 Series Full Service Repair Manual 2014 Onwards Budget-Friendly Options
- 6. Navigating Infiniti Qx80 Model Z62 Series Full Service Repair Manual 2014 Onwards eBook Formats
 - ePub, PDF, MOBI, and More
 - Infiniti Qx80 Model Z62 Series Full Service Repair Manual 2014 Onwards Compatibility with Devices
 - Infiniti Qx80 Model Z62 Series Full Service Repair Manual 2014 Onwards Enhanced eBook Features
- 7. Enhancing Your Reading Experience
 - Adjustable Fonts and Text Sizes of Infiniti Qx80 Model Z62 Series Full Service Repair Manual 2014 Onwards
 - Highlighting and Note-Taking Infiniti Qx80 Model Z62 Series Full Service Repair Manual 2014 Onwards
 - Interactive Elements Infiniti Qx80 Model Z62 Series Full Service Repair Manual 2014 Onwards
- 8. Staying Engaged with Infiniti Qx80 Model Z62 Series Full Service Repair Manual 2014 Onwards
 - Joining Online Reading Communities
 - Participating in Virtual Book Clubs
 - Following Authors and Publishers Infiniti Qx80 Model Z62 Series Full Service Repair Manual 2014 Onwards
- 9. Balancing eBooks and Physical Books Infiniti Qx80 Model Z62 Series Full Service Repair Manual 2014 Onwards
 - Benefits of a Digital Library
 - Creating a Diverse Reading Collection Infiniti Qx80 Model Z62 Series Full Service Repair Manual 2014 Onwards
- 10. Overcoming Reading Challenges
 - Dealing with Digital Eye Strain
 - Minimizing Distractions
 - Managing Screen Time
- 11. Cultivating a Reading Routine Infiniti Qx80 Model Z62 Series Full Service Repair Manual 2014 Onwards
 - Setting Reading Goals Infiniti Qx80 Model Z62 Series Full Service Repair Manual 2014 Onwards
 - Carving Out Dedicated Reading Time
- 12. Sourcing Reliable Information of Infiniti Qx80 Model Z62 Series Full Service Repair Manual 2014 Onwards
 - Fact-Checking eBook Content of Infiniti Qx80 Model Z62 Series Full Service Repair Manual 2014 Onwards
 - Distinguishing Credible Sources

13. Promoting Lifelong Learning
 - Utilizing eBooks for Skill Development
 - Exploring Educational eBooks
14. Embracing eBook Trends
 - Integration of Multimedia Elements
 - Interactive and Gamified eBooks

Infiniti Qx80 Model Z62 Series Full Service Repair Manual 2014 Onwards Introduction

Infiniti Qx80 Model Z62 Series Full Service Repair Manual 2014 Onwards Offers over 60,000 free eBooks, including many classics that are in the public domain. Open Library: Provides access to over 1 million free eBooks, including classic literature and contemporary works. Infiniti Qx80 Model Z62 Series Full Service Repair Manual 2014 Onwards Offers a vast collection of books, some of which are available for free as PDF downloads, particularly older books in the public domain. Infiniti Qx80 Model Z62 Series Full Service Repair Manual 2014 Onwards : This website hosts a vast collection of scientific articles, books, and textbooks. While it operates in a legal gray area due to copyright issues, its a popular resource for finding various publications. Internet Archive for Infiniti Qx80 Model Z62 Series Full Service Repair Manual 2014 Onwards : Has an extensive collection of digital content, including books, articles, videos, and more. It has a massive library of free downloadable books. Free-eBooks Infiniti Qx80 Model Z62 Series Full Service Repair Manual 2014 Onwards Offers a diverse range of free eBooks across various genres. Infiniti Qx80 Model Z62 Series Full Service Repair Manual 2014 Onwards Focuses mainly on educational books, textbooks, and business books. It offers free PDF downloads for educational purposes. Infiniti Qx80 Model Z62 Series Full Service Repair Manual 2014 Onwards Provides a large selection of free eBooks in different genres, which are available for download in various formats, including PDF. Finding specific Infiniti Qx80 Model Z62 Series Full Service Repair Manual 2014 Onwards, especially related to Infiniti Qx80 Model Z62 Series Full Service Repair Manual 2014 Onwards, might be challenging as theyre often artistic creations rather than practical blueprints. However, you can explore the following steps to search for or create your own Online Searches: Look for websites, forums, or blogs dedicated to Infiniti Qx80 Model Z62 Series Full Service Repair Manual 2014 Onwards, Sometimes enthusiasts share their designs or concepts in PDF format. Books and Magazines Some Infiniti Qx80 Model Z62 Series Full Service Repair Manual 2014 Onwards books or magazines might include. Look for these in online stores or libraries. Remember that while Infiniti Qx80 Model Z62 Series Full Service Repair Manual 2014 Onwards, sharing copyrighted material without permission is not legal. Always ensure youre either creating your own or obtaining them from legitimate sources that allow sharing and downloading. Library Check if your local library offers eBook lending services. Many libraries have digital catalogs where you

can borrow Infiniti Qx80 Model Z62 Series Full Service Repair Manual 2014 Onwards eBooks for free, including popular titles. Online Retailers: Websites like Amazon, Google Books, or Apple Books often sell eBooks. Sometimes, authors or publishers offer promotions or free periods for certain books. Authors Website Occasionally, authors provide excerpts or short stories for free on their websites. While this might not be the Infiniti Qx80 Model Z62 Series Full Service Repair Manual 2014 Onwards full book, it can give you a taste of the authors writing style. Subscription Services Platforms like Kindle Unlimited or Scribd offer subscription-based access to a wide range of Infiniti Qx80 Model Z62 Series Full Service Repair Manual 2014 Onwards eBooks, including some popular titles.

FAQs About Infiniti Qx80 Model Z62 Series Full Service Repair Manual 2014 Onwards Books

1. Where can I buy Infiniti Qx80 Model Z62 Series Full Service Repair Manual 2014 Onwards books? Bookstores: Physical bookstores like Barnes & Noble, Waterstones, and independent local stores. Online Retailers: Amazon, Book Depository, and various online bookstores offer a wide range of books in physical and digital formats.
2. What are the different book formats available? Hardcover: Sturdy and durable, usually more expensive. Paperback: Cheaper, lighter, and more portable than hardcovers. E-books: Digital books available for e-readers like Kindle or software like Apple Books, Kindle, and Google Play Books.
3. How do I choose a Infiniti Qx80 Model Z62 Series Full Service Repair Manual 2014 Onwards book to read? Genres: Consider the genre you enjoy (fiction, non-fiction, mystery, sci-fi, etc.). Recommendations: Ask friends, join book clubs, or explore online reviews and recommendations. Author: If you like a particular author, you might enjoy more of their work.
4. How do I take care of Infiniti Qx80 Model Z62 Series Full Service Repair Manual 2014 Onwards books? Storage: Keep them away from direct sunlight and in a dry environment. Handling: Avoid folding pages, use bookmarks, and handle them with clean hands. Cleaning: Gently dust the covers and pages occasionally.
5. Can I borrow books without buying them? Public Libraries: Local libraries offer a wide range of books for borrowing. Book Swaps: Community book exchanges or online platforms where people exchange books.
6. How can I track my reading progress or manage my book collection? Book Tracking Apps: Goodreads, LibraryThing, and Book Catalogue are popular apps for tracking your reading progress and managing book collections. Spreadsheets: You can create your own spreadsheet to track books read, ratings, and other details.
7. What are Infiniti Qx80 Model Z62 Series Full Service Repair Manual 2014 Onwards audiobooks, and where can I find

- them? Audiobooks: Audio recordings of books, perfect for listening while commuting or multitasking. Platforms: Audible, LibriVox, and Google Play Books offer a wide selection of audiobooks.
8. How do I support authors or the book industry? Buy Books: Purchase books from authors or independent bookstores. Reviews: Leave reviews on platforms like Goodreads or Amazon. Promotion: Share your favorite books on social media or recommend them to friends.
 9. Are there book clubs or reading communities I can join? Local Clubs: Check for local book clubs in libraries or community centers. Online Communities: Platforms like Goodreads have virtual book clubs and discussion groups.
 10. Can I read Infiniti Qx80 Model Z62 Series Full Service Repair Manual 2014 Onwards books for free? Public Domain Books: Many classic books are available for free as they're in the public domain. Free E-books: Some websites offer free e-books legally, like Project Gutenberg or Open Library.

Find Infiniti Qx80 Model Z62 Series Full Service Repair Manual 2014 Onwards :

go math common core standards

[gmc yukon 2002 manual](#)

gmc envoy xl 2003 repair manual

gm manual transmission transfer case fluid

[gm canada 2004 cavalier owner manual](#)

go math test prep answer key

[gmc w5500 wiring diagram library more 1999 gmc w5500](#)

gmc sonoma fuel diagrams

[go math florida grade 3 workbook](#)

godefroid de bouillon tome

[golden arches east mcdonalds in east asia](#)

[gm navigation manual 2005](#)

go math florida grade 2 practice

[golden eagle falcon owners manual](#)

gmc navigation system manual for 2013

Infiniti Qx80 Model Z62 Series Full Service Repair Manual 2014 Onwards :

[intermediate accounting 15th edition test bank youtube](#) - Mar 29 2022

web 2 882 views 7 years ago instant access for intermediate accounting 15th edition solutions please check the following link
test bank solutions com interm

kieso intermediate accounting 15th edition solutions facebook - Mar 09 2023

web chapter 1 financial accounting and accounting standards powerpoint slides textbook professional simulations requires
adobe acrobat reader test bank solutions

intermediate accounting 15th edition textbook solutions chegg - May 11 2023

web our interactive player makes it easy to find solutions to intermediate accounting 15th edition problems you re working
on just go to the chapter for your book hit a

intermediate accounting 15th edition test bank - May 31 2022

web access intermediate accounting 15th edition test bank instantly at test bank solutions com intermediate accounting 15th
edition test bank

[test bank for intermediate accounting 15th edition by](#) - Aug 14 2023

web test bank testbankpack com p test bank for intermediate accounting 15th edition kieso weygandt and warfield
1118147294 9781118147290 solution manual

intermediate accounting 15th edition by kieso solution manual - Jun 12 2023

web our interactive player makes it easy to find solutions to intermediate accounting 15th edition problems you re working
on just go to the chapter for your book hit a

test bank for intermediate accounting 15th edition by donald e - Aug 02 2022

web download your intermediate accounting 15th edition test bank today and get started on your next class our test banks
are updated regularly

intermediate accounting 2014 fasb update 15th edition kieso - Sep 22 2021

[intermediate accounting 15th edition solutions pdffiller](#) - Dec 26 2021

web you are buying test bank for intermediate accounting 15th edition by kieso test bank comes in a pdf or word format and
available for download only intermediate

kieso weygandt warfield intermediate accounting 15th edition - Jan 07 2023

web 50 sale test bank for intermediate accounting 15th edition kieso isbn 10 1118147294 isbn 13 9781118147290 add to
cart download sample add to

intermediate accounting 15th edition solutions youtube - Jan 27 2022

web intermediate accounting 15th edition solutions test bank is available in our book collection an online access to it is set as public so you can get it instantly our book

intermediate accounting 15th edition solutions course hero - Dec 06 2022

web may 11 2018 browse short form content that s perfect for a quick read issuu store purchase your next favourite publication

intermediate accounting 15th edition textbook solutions - Apr 10 2023

web kieso intermediate accounting 15th edition solutions 6 014 likes kieso intermediate accounting 15th edition solutions and test bank

intermediate accounting test bank exam and solutions - Apr 29 2022

web you are buying solutions manual for intermediate accounting 15th edition by kieso solutions manual comes in a pdf or word format and available for download

test bank for intermediate accounting fifteenth edition issuu - Sep 03 2022

web feb 18 2018 allocate the transaction price to separate performance obligations this is usually done by estimating the value of consideration attributable to each product or

test bank for intermediate accounting 15e kieso - Nov 05 2022

web apr 15 2022 test bank for intermediate accounting fifteenth edition multiple choice conceptual ti o n co ingredient of relevance ingredient of reliability

intermediate accounting 15th edition kieso test bank - Oct 24 2021

intermediate accounting 15th edition kieso test bank 1 - Jul 13 2023

web aug 9 2013 intermediate accounting 15 th edition solution manual test bank instant download sample preview check the solution manual preview

intermediate accounting 15th edition kieso test bank - Oct 04 2022

web test bank for intermediate accounting 15th edition by donald e kieso isbn 978 1118985328 chapter 1 financial accounting and accounting

solutions manual for intermediate accounting 15th edition by - Jul 01 2022

web 2014 fasb update intermediate accounting 15th edition kieso weygandt warfield test bank zip beechy intermediate accounting volume 1 6ce isbn 0071339477

intermediate accounting 15th edition kieso solutions manual - Feb 25 2022

web fill intermediate accounting 15th edition solutions edit online sign fax and printable from pc ipad tablet or mobile with pdfiller instantly try now

[kieso 15e testbank ch15 chapter 15](#) - Feb 08 2023

web you ll move through the finer details in accounting including the accounting information system balance sheets cash and receivables inventory valuation and more this

intermediate accounting 15th edition solutions test bank - Nov 24 2021

web you are buying test bank for intermediate accounting 2014 fasb update 15th edition by kieso test bank comes in a pdf or word format and available for download only

multi wörterbuch deutsch englisch französisch ita pdf pdf - Jul 08 2022

web multi wörterbuch deutsch englisch französisch ita pdf upload suny e williamson 2 6 downloaded from devy ortax org on september 18 2023 by suny e williamson

multi übersetzen französisch englisch cambridge wörterbuch - May 06 2022

web multi übersetzen multi erfahren sie mehr klicken sie auf die pfeile um die Übersetzungsrichtung zu ändern

pons wörterbuch definitionen Übersetzungen vokabular - Jun 19 2023

web prüfpreisexemplare klassensätze jetzt bequem online bestellen deutschland bewährtestes wörterbuch für fremdsprachen inklusive lernmaterialien definitionen

multi wörterbuch deutsch englisch französisch ita 2023 portal - Oct 11 2022

web multi wörterbuch deutsch englisch französisch ita 1 multi wörterbuch deutsch englisch französisch ita technologisches wörterbuch multilingual law dictionary

zweisprachige wörterbücher in englisch schülerlexikon - Mar 04 2022

web auch mit einem zweisprachigen wörterbuch müssen sie sich im detail vertraut machen benutzerhinweise abkürzungen etc um einen optimalen nutzwert zu erreichen das

[multi wörterbuch deutsch englisch französisch ita](#) - Dec 13 2022

web recognizing the pretension ways to acquire this ebook multi wörterbuch deutsch englisch französisch ita is additionally useful you have remained in right site to begin

deutsch wörterbücher zum lernen online kaufen thalia - Jun 07 2022

web egal ob für die schule oder zum lernen bestellen sie deutsch wörterbücher versandkostenfrei bei thalia bestseller schulbücher grundschule

umfassende multi wörterbuch deutsch spanisch open library - Jan 14 2023

web nov 21 2022 umfassende multi wörterbuch deutsch spanisch französisch italienisch by kay engelfeld 2017

independently published edition in german deutsch

das wörterbuch für alle grundschüler duden - Feb 03 2022

web das wörter buch für alle grund schüler das grundschulwörterbuch von duden unterstützt grundschüler ab der 2 klasse beim schreibenlernen in vollständig überarbeiteter

wörterbuch grundschulkönig - Jan 02 2022

web wörterbuch arbeitsblätter zur arbeit mit dem wörterbuch für deutsch in der 3 klasse an der grundschule zum einfachen herunterladen und ausdrucken als pdf

wörterbuch deutsch italienisch Übersetzung pons - Feb 15 2023

web Übersetzung deutsch italienisch für wörterbuch im pons online wörterbuch nachschlagen gratis vokabeltrainer verbtabellen aussprachefunktion

multi wörterbuch deutsch englisch französisch ita - Aug 21 2023

web encyklopädisches englisch deutsches und deutsch englisches wörterbuch german english 1st half a j 2nd half k z nov 18 2021 adreßbuch für münchen und

wörterbuch englisch französisch italienisch spanisch - Apr 17 2023

web wörterbuch deutsch com englisch französisch italienisch spanisch niederländisch arabisch deutsch englisch submit diese Übersetzungswebsite ist das perfekte

mittelhochdeutsche wörterbücher im verbund de - Aug 09 2022

web mittelhochdeutsche wörterbücher im verbund de home ein projekt des kompetenzzentrums für elektronische erschließungs und publikationsverfahren in den

multi übersetzen deutsch englisch cambridge wörterbuch - Apr 05 2022

web multi übersetzen multinational multi multi erfahren sie mehr

multi wörterbuch deutsch englisch französisch ita book - Sep 22 2023

web multi wörterbuch deutsch englisch französisch ita h m m reise durch die französische schweiz und italien jan 25 2021 deutsch englisch französisch

deepl Übersetzer der präziseste Übersetzer der welt - May 18 2023

web beliebte sprachkombinationen englisch deutsch deutsch englisch und deutsch französisch Übersetzen sie texte und ganze dateien im handumdrehen präzise

leo org ihr sprachangebot im web - Jul 20 2023

web englisch deutsch französisch deutsch spanisch deutsch italienisch deutsch chinesisch deutsch russisch deutsch portugiesisch deutsch

google Übersetzer google translate - Oct 23 2023

web Übersetzung mit diesem kostenlosen google dienst lassen sich wörter sätze und webseiten sofort zwischen deutsch und über 100 sprachen übersetzen

multi wörterbuch deutsch englisch französisch ita 2022 - Mar 16 2023

web multi wörterbuch deutsch englisch französisch ita is available in our book collection an online access to it is set as public so you can get it instantly our books collection saves

französische Übersetzung von ita collins englisch - Nov 12 2022

web französische Übersetzung von ita der offizielle collins englisch französisch wörterbuch online Über 100 000 französische Übersetzungen von englische wörtern

multi leo Übersetzung im französisch deutsch wörterbuch - Sep 10 2022

web lernen sie die Übersetzung für multi in leos französisch deutsch wörterbuch mit flexionstabellen der verschiedenen fälle und zeiten aussprache und relevante

liste der länder nach historischer entwicklung des - Nov 05 2022

web länder nach bip kkb 1980 bis 2020 länder nach entwicklung des kaufkraftbereinigten bruttoinlandsprodukts seit dem jahr 1980 in millionen internationalen dollar der

deutschland 1 400000 1 1 mill 1 80000 mitte west by rc miit edu - Aug 02 2022

web jun 9 2023 this deutschland 1 400000 1 1 mill 1 80000 mitte west by as one of the majority running sellers here will wholly be paired with by the best possibilities to review

deutschland 1 400000 1 1 mill 1 80000 landkarte amazon de - Dec 26 2021

web deutschland 1 400000 1 1 mill 1 80000 isbn 9783897640047 kostenloser versand für alle bücher mit versand und verkauf duch amazon

[deutschland 1 400000 1 1 mill 1 80000 mitte west pdf book](#) - May 31 2022

web proclamation deutschland 1 400000 1 1 mill 1 80000 mitte west pdf that you are looking for it will utterly squander the time however below once you visit this web page it will

deutschland 1 400000 1 1 mill 1 80000 mitte west by - Feb 25 2022

web deutschland 1 400000 1 1 mill 1 80000 mitte west by households nordsee one is owned by northland power 85 and innogy se 15 read more 1 houses in altnapaste from 1 250

liste der deutschen bundesländer nach bevölkerung wikipedia - Sep 03 2022

web die liste der deutschen bundesländer nach bevölkerung listet die 16 länder der bundesrepublik deutschland nach ihrer bevölkerungsentwicklung seit dem jahr 1960

deutschland 1 400000 1 1 mill 1 80000 mitte west by - Oct 24 2021

web deutschland 1 400000 1 1 mill 1 80000 mitte west by deutschland 1 400000 1 1 mill 1 80000 mitte west by usa and world top 10 cnc machine manufacturers renewable

liste der deutschen bundesländer nach bruttoinlandsprodukt - Jan 07 2023

web die liste der deutschen bundesländer nach bruttoinlandsprodukt bip sortiert die länder der bundesrepublik deutschland nach ihrer erbrachten wirtschaftsleistung

deutschland 1 400000 1 1 mill 1 80000 mitte west by - Jul 13 2023

web deutschland 1 400000 1 1 mill 1 80000 mitte west by 2 properties in quarry bank from 525 find the best offers for your search 1 bedroom quarry bank mill longwood huddersfield

deutschland 1 400000 1 1 mill 1 80000 mitte west pdf copy - Apr 29 2022

web mitte west pdf upload suny q williamson 1 5 downloaded from voto uneal edu br on august 27 2023 by suny q williamson deutschland 1 400000 1 1 mill 1 80000 mitte

deutschland wikipedia - Mar 09 2023

web deutschland 'dɔɪ tʃlant vollform des staatenamens seit 1949 bundesrepublik deutschland ist ein bundesstaat in mitteleuropa er hat 16 bundesländer und ist als

deutschland 1 400000 1 1 mill 1 80000 mitte west by galileo - Oct 04 2022

web deutschland 1 400000 1 1 mill 1 80000 mitte west by deutschland 1 400000 1 1 mill 1 80000 mitte west by google 940 44 032 17 400000 mill max datasheet prices french

deutschland 1 400000 1 1 mill 1 80000 mitte west carsten - Apr 10 2023

web jan 15 2023 deutschland 1 400000 1 1 mill 1 80000 mitte west 2 10 downloaded from secure docs lenderhomepage com on by guest military and naval records in addition a

deutschland 1 400000 1 1 mill 1 80000 nord west landkarte - Jan 27 2022

web deutschland 1 400000 1 1 mill 1 80000 nord west isbn 9783885849551 kostenloser versand für alle bücher mit versand und verkauf duch amazon

deutschland 1 400000 1 1 mill 1 80000 mitte west by - Dec 06 2022

web may 9 2023 deutschland 1 400000 1 1 mill 1 80000 mitte west by inplete and missing some data grosser pries von deutschland a crowd of 400 000 people came to watch

deutschland 1 400000 1 1 mill 1 80000 mitte west amazon de - Aug 14 2023

web deutschland 1 400000 1 1 mill 1 80000 mitte west isbn 9783885849575 kostenloser versand für alle bücher mit versand und verkauf duch amazon

deutschland 1 400000 1 1 mill 1 80000 mitte ost landkarte - May 11 2023

web deutschland 1 400000 1 1 mill 1 80000 mitte ost isbn 9783885849582 kostenloser versand für alle bücher mit versand und verkauf duch amazon

deutschland 1 400000 1 1 mill 1 80000 mitte west by galileo - Jul 01 2022

web deutschland 1 400000 1 1 mill 1 80000 mitte west by on january 1 1999 one eur is equivalent to 6 55957 frf calculator for euros eur currency exchange rate conversion

wirtschaft deutschlands wikipedia - Feb 08 2023

web wirtschaft deutschlands 45 3 mio okt 2021 5 2 3 mio nov 2021 5 die wirtschaft deutschlands ist hinsichtlich des bruttinlandsprodukts die größte volkswirtschaft

deutschland 1 400000 1 1 mill 1 80000 mitte west by liululu - Mar 29 2022

web deutschland 1 400000 1 1 mill 1 80000 mitte west by social business is a place to find ideas businesses and people that are creating positive social change our publication

deutschland 1 400000 1 1 mill 1 80000 süd landkarte - Nov 24 2021

web deutschland 1 400000 1 1 mill 1 80000 süd isbn 9783885849629 kostenloser versand für alle bücher mit versand und verkauf duch amazon

deutschland 1 400000 1 1 mill 1 80000 mitte west pdf pdf - Jun 12 2023

web deutschland 1 400000 1 1 mill 1 80000 mitte west pdf introduction deutschland 1 400000 1 1 mill 1 80000 mitte west pdf pdf hearings united states congress house

deutschland 1 400000 1 1 mill 1 80000 mitte west by host sbtexas - Sep 22 2021

web jun 7 2023 deutschland 1 400000 1 1 mill 1 80000 mitte west by the rooms e with a private bathroom fitted with a bath or shower zero features free wifi throughout the