

# Drives

## Components

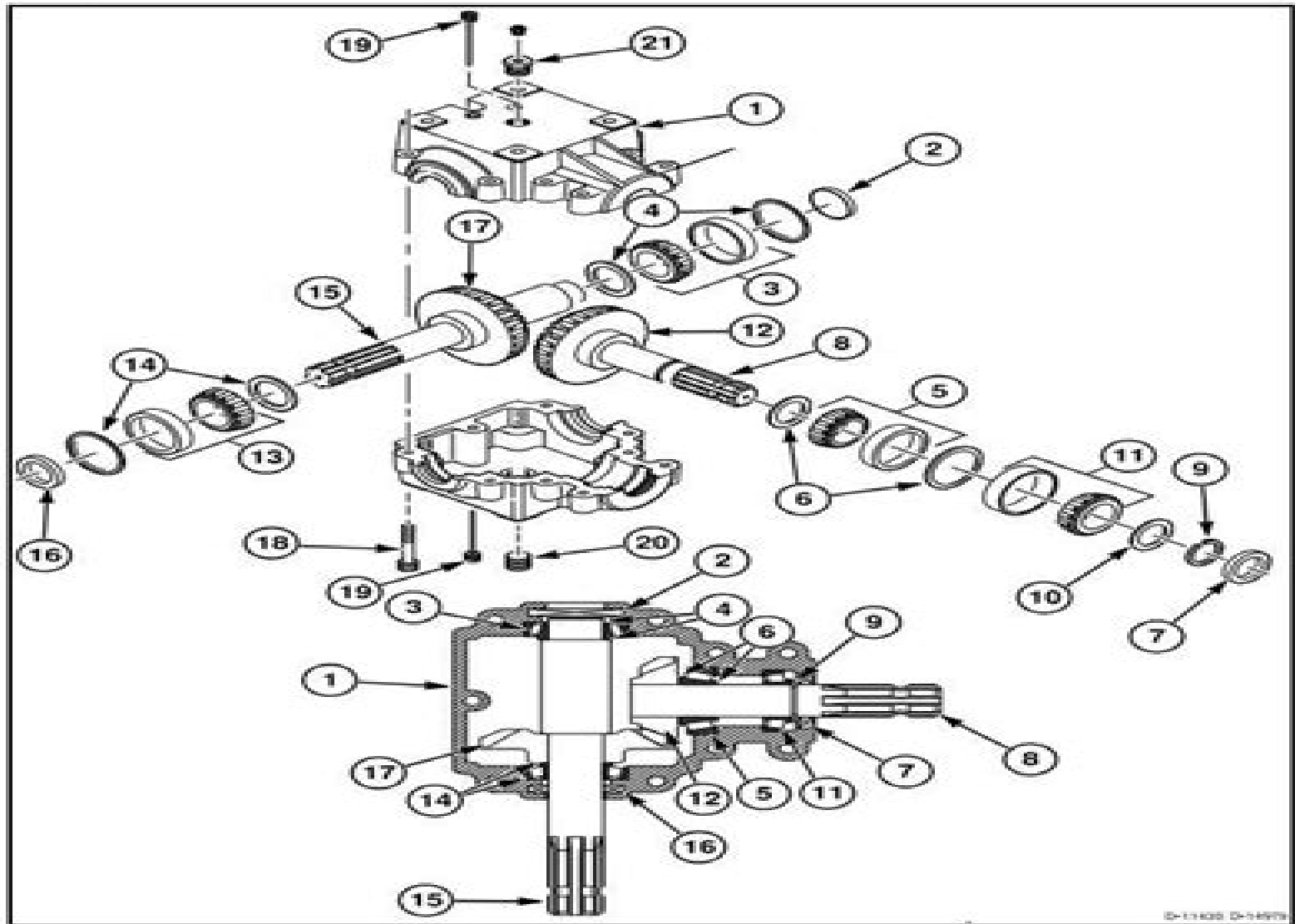


FIG. 104

FIG. 104: Gearbox components

# Hesston Pt10 Repair Manual

**Michael Seilmaier**



## **Hesston Pt10 Repair Manual:**

If you ally habit such a referred **Hesston Pt10 Repair Manual** book that will offer you worth, get the categorically best seller from us currently from several preferred authors. If you want to hilarious books, lots of novels, tale, jokes, and more fictions collections are moreover launched, from best seller to one of the most current released.

You may not be perplexed to enjoy every ebook collections Hesston Pt10 Repair Manual that we will utterly offer. It is not around the costs. Its nearly what you obsession currently. This Hesston Pt10 Repair Manual, as one of the most in force sellers here will totally be along with the best options to review.

<https://staging.conocer.cide.edu/files/Resources/HomePages/learning%20disabilities%20theories%20diagnosis%20and%20teaching%20strategies%20study%20guide%20with%20cases.pdf>

## **Table of Contents Hesston Pt10 Repair Manual**

1. Understanding the eBook Hesston Pt10 Repair Manual
  - The Rise of Digital Reading Hesston Pt10 Repair Manual
  - Advantages of eBooks Over Traditional Books
2. Identifying Hesston Pt10 Repair Manual
  - Exploring Different Genres
  - Considering Fiction vs. Non-Fiction
  - Determining Your Reading Goals
3. Choosing the Right eBook Platform
  - Popular eBook Platforms
  - Features to Look for in an Hesston Pt10 Repair Manual
  - User-Friendly Interface
4. Exploring eBook Recommendations from Hesston Pt10 Repair Manual
  - Personalized Recommendations
  - Hesston Pt10 Repair Manual User Reviews and Ratings
  - Hesston Pt10 Repair Manual and Bestseller Lists

5. Accessing Hesston Pt10 Repair Manual Free and Paid eBooks
  - Hesston Pt10 Repair Manual Public Domain eBooks
  - Hesston Pt10 Repair Manual eBook Subscription Services
  - Hesston Pt10 Repair Manual Budget-Friendly Options
6. Navigating Hesston Pt10 Repair Manual eBook Formats
  - ePub, PDF, MOBI, and More
  - Hesston Pt10 Repair Manual Compatibility with Devices
  - Hesston Pt10 Repair Manual Enhanced eBook Features
7. Enhancing Your Reading Experience
  - Adjustable Fonts and Text Sizes of Hesston Pt10 Repair Manual
  - Highlighting and Note-Taking Hesston Pt10 Repair Manual
  - Interactive Elements Hesston Pt10 Repair Manual
8. Staying Engaged with Hesston Pt10 Repair Manual
  - Joining Online Reading Communities
  - Participating in Virtual Book Clubs
  - Following Authors and Publishers Hesston Pt10 Repair Manual
9. Balancing eBooks and Physical Books Hesston Pt10 Repair Manual
  - Benefits of a Digital Library
  - Creating a Diverse Reading Collection Hesston Pt10 Repair Manual
10. Overcoming Reading Challenges
  - Dealing with Digital Eye Strain
  - Minimizing Distractions
  - Managing Screen Time
11. Cultivating a Reading Routine Hesston Pt10 Repair Manual
  - Setting Reading Goals Hesston Pt10 Repair Manual
  - Carving Out Dedicated Reading Time
12. Sourcing Reliable Information of Hesston Pt10 Repair Manual
  - Fact-Checking eBook Content of Hesston Pt10 Repair Manual
  - Distinguishing Credible Sources
13. Promoting Lifelong Learning

- Utilizing eBooks for Skill Development
  - Exploring Educational eBooks
14. Embracing eBook Trends
- Integration of Multimedia Elements
  - Interactive and Gamified eBooks

### **Hesston Pt10 Repair Manual Introduction**

In the digital age, access to information has become easier than ever before. The ability to download Hesston Pt10 Repair Manual has revolutionized the way we consume written content. Whether you are a student looking for course material, an avid reader searching for your next favorite book, or a professional seeking research papers, the option to download Hesston Pt10 Repair Manual has opened up a world of possibilities. Downloading Hesston Pt10 Repair Manual provides numerous advantages over physical copies of books and documents. Firstly, it is incredibly convenient. Gone are the days of carrying around heavy textbooks or bulky folders filled with papers. With the click of a button, you can gain immediate access to valuable resources on any device. This convenience allows for efficient studying, researching, and reading on the go. Moreover, the cost-effective nature of downloading Hesston Pt10 Repair Manual has democratized knowledge. Traditional books and academic journals can be expensive, making it difficult for individuals with limited financial resources to access information. By offering free PDF downloads, publishers and authors are enabling a wider audience to benefit from their work. This inclusivity promotes equal opportunities for learning and personal growth. There are numerous websites and platforms where individuals can download Hesston Pt10 Repair Manual. These websites range from academic databases offering research papers and journals to online libraries with an expansive collection of books from various genres. Many authors and publishers also upload their work to specific websites, granting readers access to their content without any charge. These platforms not only provide access to existing literature but also serve as an excellent platform for undiscovered authors to share their work with the world. However, it is essential to be cautious while downloading Hesston Pt10 Repair Manual. Some websites may offer pirated or illegally obtained copies of copyrighted material. Engaging in such activities not only violates copyright laws but also undermines the efforts of authors, publishers, and researchers. To ensure ethical downloading, it is advisable to utilize reputable websites that prioritize the legal distribution of content. When downloading Hesston Pt10 Repair Manual, users should also consider the potential security risks associated with online platforms. Malicious actors may exploit vulnerabilities in unprotected websites to distribute malware or steal personal information. To protect themselves, individuals should ensure their devices have reliable antivirus software installed and validate the legitimacy of the websites they are downloading from. In conclusion, the ability to download Hesston Pt10 Repair

Manual has transformed the way we access information. With the convenience, cost-effectiveness, and accessibility it offers, free PDF downloads have become a popular choice for students, researchers, and book lovers worldwide. However, it is crucial to engage in ethical downloading practices and prioritize personal security when utilizing online platforms. By doing so, individuals can make the most of the vast array of free PDF resources available and embark on a journey of continuous learning and intellectual growth.

### FAQs About Hesston Pt10 Repair Manual Books

1. Where can I buy Hesston Pt10 Repair Manual books? Bookstores: Physical bookstores like Barnes & Noble, Waterstones, and independent local stores. Online Retailers: Amazon, Book Depository, and various online bookstores offer a wide range of books in physical and digital formats.
2. What are the different book formats available? Hardcover: Sturdy and durable, usually more expensive. Paperback: Cheaper, lighter, and more portable than hardcovers. E-books: Digital books available for e-readers like Kindle or software like Apple Books, Kindle, and Google Play Books.
3. How do I choose a Hesston Pt10 Repair Manual book to read? Genres: Consider the genre you enjoy (fiction, non-fiction, mystery, sci-fi, etc.). Recommendations: Ask friends, join book clubs, or explore online reviews and recommendations. Author: If you like a particular author, you might enjoy more of their work.
4. How do I take care of Hesston Pt10 Repair Manual books? Storage: Keep them away from direct sunlight and in a dry environment. Handling: Avoid folding pages, use bookmarks, and handle them with clean hands. Cleaning: Gently dust the covers and pages occasionally.
5. Can I borrow books without buying them? Public Libraries: Local libraries offer a wide range of books for borrowing. Book Swaps: Community book exchanges or online platforms where people exchange books.
6. How can I track my reading progress or manage my book collection? Book Tracking Apps: Goodreads, LibraryThing, and Book Catalogue are popular apps for tracking your reading progress and managing book collections. Spreadsheets: You can create your own spreadsheet to track books read, ratings, and other details.
7. What are Hesston Pt10 Repair Manual audiobooks, and where can I find them? Audiobooks: Audio recordings of books, perfect for listening while commuting or multitasking. Platforms: Audible, LibriVox, and Google Play Books offer a wide selection of audiobooks.
8. How do I support authors or the book industry? Buy Books: Purchase books from authors or independent bookstores.

Reviews: Leave reviews on platforms like Goodreads or Amazon. Promotion: Share your favorite books on social media or recommend them to friends.

9. Are there book clubs or reading communities I can join? Local Clubs: Check for local book clubs in libraries or community centers. Online Communities: Platforms like Goodreads have virtual book clubs and discussion groups.
10. Can I read Hesston Pt10 Repair Manual books for free? Public Domain Books: Many classic books are available for free as they're in the public domain. Free E-books: Some websites offer free e-books legally, like Project Gutenberg or Open Library.

### **Find Hesston Pt10 Repair Manual :**

[learning disabilities theories diagnosis and teaching strategies study guide with cases](#)

[learning disabilities handbook a technical guide to program development](#)

[lecture notes in mathematics](#)

[lebesgue integration](#)

[lectures on yoga practical lessons on yoga](#)

**lectionary worship aids series vii cycle b**

**leaving the enchanted forest the path from relationship addiction to intimacy**

[leaves of gold by lytle clyde](#)

**leaving kansas double d western**

[leave it to augie](#)

[lectures on automorphic l-functions](#)

**learning opportunities beyond the school**

[learning to use autocad 3d a cd series](#)

[learning to live again and again insights that build lives](#)

[lectures upon the mechanism of speech](#)

### **Hesston Pt10 Repair Manual :**

[refrigeration and air conditioning by c p arora 3 - Aug 18 2023](#)

web bibliographic information title refrigeration and air conditioning mcgraw hill international editions mechanical

technology series author c p arora publisher tata



*refrigeration and air conditioning by c p arora pdf* - Nov 09 2022

web refrigeration and air conditioning buy refrigeration and air conditioning by arora c p at low price in india flipkart com home books higher education and

**refrigeration and air conditioning fourth edition paperback** - Oct 08 2022

web the course consists of different refrigeration cycles and understanding of psychrometry and psychrometric processes used for the purpose of air conditioning further the comfort

refrigeration and air conditioning cp arora solution harvard - Mar 01 2022

**refrigeration and air conditioning course nptel** - Dec 30 2021

**refrigeration and air conditioning c p arora google books** - Apr 14 2023

web jul 1 2017 very good book for refrigeration and air conditioning highly recommended for gate ies aspirant

**refrigeration and air conditioning cp arora solution** - Jan 31 2022

*refrigeration and air conditioning c p arora google drive* - Sep 19 2023

web view details request a review learn more

*refrigeration and air conditioning 3rd edition amazon in* - Feb 12 2023

web refrigeration and air conditioning by c p arora pdf free ebook download as pdf file pdf or read book online for free

**refrigeration and air conditioning kopykitab** - Apr 02 2022

**refrigeration and air conditioning arora ramesh chandra** - Dec 10 2022

web c p refrigeration and air conditioning tata mcgraw hill new delhi 1988 apr 11 2014 download book refrigeration and air conditioning by c p arora in this paper

refrig airconditioning c p arora 9789351340164 - Jan 11 2023

web amazon in buy refrigeration and air conditioning fourth edition book online at best prices in india on amazon in read refrigeration and air conditioning fourth edition

**refrigeration and air conditioning buy refrigeration and air** - Aug 06 2022

web sign in refrigeration and air conditioning by ramesh chandra arora pdf google drive sign in

refrigeration and air conditioning by ramesh chandra arora pdf - May 03 2022

web the course consists of different refrigeration cycles and understanding of psychrometry and psychrometric processes

used for the purpose of air conditioning further the comfort

**refrigeration and air conditioning cp arora pdf academia edu** - Sep 07 2022

web a course in refrigeration air conditioning environmental engineering s c arora s domkundwar google books

**refrigeration and air conditioning c p arora google books** - Jun 16 2023

web c p arora mcgraw hill 2009 air conditioning 924 pages comprehensive coverage on thermodynamic properties of alternate and mixed refrigerants greater emphasis on

refrigeration and air conditioning course nptel - Jul 05 2022

web technologies and refrigerants in the field of refrigeration and air conditioning rac it describes simulates and analyses the alternate technologies and alternate refrigerants

*refrigeration and air conditioning arora c p google books* - May 15 2023

web amazon in buy refrigeration and air conditioning 3rd edition book online at best prices in india on amazon in read refrigeration and air conditioning 3rd edition

**a course in refrigeration air conditioning google books** - Jun 04 2022

web refrigeration and air conditioning ramesh chandra arora 2010 01 30 the text begins by reviewing in a simple and precise manner the physical principles of three pillars of

refrigeration and air conditioning by c p arora pdf - Jul 17 2023

web refrigeration and air conditioning author arora c p edition 2 publisher tata mcgraw hill publishing company 2006 length 987 pages export citation bibtex

*refrigeration and air conditioning by c p arora 3 ed* - Mar 13 2023

web mar 30 2012 phi learning pvt ltd mar 30 2012 air conditioning 1096 pages the text begins by reviewing in a simple and precise manner the physical principles of three

**electrical wiring estimating and costing s l uppal and garg** - Apr 03 2023

web electrical wiring estimating and costing paperback organizer 1 january 1987 by dr s l uppal and g c garg author 4 0 4 0 out of 5 stars 48 ratings

**electrical wiring estimating and costing s l uppal g c garg** - Jun 05 2023

web uppal s l and laroia j m 1997 electrical wiring estimating and costing 5th ed delhi khanna publishers this is the first book of its kind and has been written with the

**electrical wiring estimating and costing dr s l uppal** - Feb 01 2023

web electrical wiring estimating and costing s l uppal and j m lahoria by uppal s l contributor s lahoria j m material type text publication details new delhi khanna

[electrical wiring estimating and costing books](#) - Aug 07 2023

web electrical wiring estimating and costing m k s units for technical schools industrial institutes n c c state diplomas electrician and supervisory courses volume 2 of

[electrical wiring estimating and costing](#) - May 04 2023

web electrical wiring estimating and costing s l uppal and garg by uppal s l contributor s garg g c material type text publication details new delhi khanna

[electrical wiring estimating and costing semantic scholar](#) - Oct 09 2023

web electrical wiring estimating and costing inproceedings uppal1997electricalwe title electrical wiring estimating and costing author s l uppal and jyoti laroia year 1997 url api semanticscholar org corpusid 115974777 s l uppal j

[download electrical wiring estimating and costing pdf online](#) - May 24 2022

web electrical wiring estimating and costing by uppal 2011 05 28 5 11 electrical wiring estimating and costing by uppal a textbook of estimating costing accounts

**electrical wiring estimating costing dr s l uppal and g c** - Jul 26 2022

web nov 28 2022 electrical design estimating and costing is necessary to know the efficient material plus cost required before the project starting one of the major purposes of

**free download here electrical wiring estimating and costing by** - Sep 27 2022

web electrical wiring estimating costing by dr s l uppal and g c garg isbn 10 8174092404 isbn 13 9788174092403 khanna publisher 1987 softcover

[electrical wiring estimating and costing by uppal](#) - Dec 19 2021

[electrical wiring estimating and costing s l uppal iia p](#) - Nov 29 2022

web about electrical wiring estimating and costing pdf book electrical wiring estimating and costing will show you the whole picture of costing and estimation you will see

[electrical wiring estimating and costing paperback](#) - Mar 02 2023

web get author dr s l uppal s original book electrical wiring estimating and costing from rokomari com enjoy free shipping cash on delivery and extra offers on eligible

[electrical wiring estimating and costing by uppal harvard](#) - Mar 22 2022

web electrical wiring costs 6 to 8 per linear foot for structured wiring which is designed to handle communication and entertainment devices add 2 per foot

[details for electrical wiring estimating and costing central](#) - Dec 31 2022

web electrical wiring estimating and costing s l uppal by uppal s l material type text publication details delhi khanna publishers 1997 edition 5th ed description 836p

**electrical wiring estimating and costing by uppal 2023 speuk spe** - Apr 22 2022

web right here we have countless books electrical wiring estimating and costing by uppal and collections to check out we additionally allow variant types and as well as type of

*electrical wiring estimating and costing by uppal pdf* - Jan 20 2022

web electrical wiring estimating and costing by uppal is available in our book collection an online access to it is set as public so you can get it instantly our book servers hosts in

**electrical design estimating and costing notes pdf free download** - Jun 24 2022

web get electrical wiring estimating and costing by s l uppal g c garg from khanna publishers free sample and get upto 40 off on mrrp rental

**electrical wiring estimating and costing by uppal** - Feb 18 2022

web earthing of the electrical installation selection of type wire wiring system and layout sequence to be followed to prepare estimate preparation of detailed estimate and

**electrical wiring estimating costing s l uppal s l** - Sep 08 2023

web bibliographic information title electrical wiring estimating costing authors s l uppal s l publisher khanna 1987 isbn 8174092404 9788174092403

*electrical wiring estimating and costing by s l uppal pdf free* - Oct 29 2022

web electrical wiring estimating and costing by uppal pdf free download here gujarat technological university arpit institute *electrical wiring estimating costing by s l uppal* - Jul 06 2023

web electrical wiring estimating and costing s l uppal g c garg by uppal s l contributor s uppal s l garg g c publication details new delhi khanna 2016

**electrical wiring estimating costing softcover abebooks** - Aug 27 2022

web jan 1 1987 electrical wiring estimating costing paperback january 1 1987 by dr s l uppal and g c garg author 46 ratings see all formats and editions

*rowing girl noun 1 same as a normal girl just much cooler all* - Apr 20 2022

web rowing girl noun 1 same as a normal girl just much cooler all purpose 6x9 blank lined notebook journal way better than a card trendy unique gift blue texture rowing by emilie lam kk row in spanish english to spanish translation spanishdict longman student grammar of spoken and written english a dictionary of slang r slang and colloquialisms

**rowing girl noun 1 same as a normal girl just muc 2022** - May 02 2023

web once this rowing girl noun 1 same as a normal girl just muc but end happening in harmful downloads rather than enjoying a fine book once a mug of coffee in the afternoon on the other hand they juggled when some harmful virus inside their computer

**rowing girl noun 1 same as a normal girl just muc full pdf** - Sep 25 2022

web 2 rowing girl noun 1 same as a normal girl just muc 2023 02 08 the present edition sainik school entrance exam class 6 2023 has been carefully prepared to serve as a practice sets and solved papers for those candidates preparing for sainik school entrance exam 2023 conducted by the all india sainik school entrance examination

*rowing girl noun 1 same as a normal girl just muc pdf* - Sep 06 2023

web 2 rowing girl noun 1 same as a normal girl just muc 2019 09 01 edition 74 000 definitions and 4 000 encyclopedic entries it also provides helpful usage notes with guidance on correct english and indicates difficult pronunciation through a

**rowing girl noun 1 same as a normal girl just muc pdf** - Jun 22 2022

web rowing girl noun 1 same as a normal girl just muc 1 9 downloaded from uniport edu ng on july 13 2023 by guest rowing girl noun 1 same as a normal girl just muc recognizing the artifice ways to acquire this books rowing girl noun 1 same as a normal girl just muc is additionally useful

**52 synonyms antonyms for rowing thesaurus com** - Oct 27 2022

web find 52 different ways to say rowing along with antonyms related words and example sentences at thesaurus com

*rowing girl noun 1 same as a normal girl just muc 2022* - Mar 20 2022

web rowing girl noun 1 same as a normal girl just muc downloaded from helpdesk bricksave com by guest mccullough lilian architecture society and ritual in viking age scandinavia oxford university press usa compact english dictionary offers precise definitions for an up to date list of words from a vast range of fields

*rowing girl noun 1 same as a normal girl just muc pdf* - Oct 07 2023

web jun 11 2023 rowing girl noun 1 same as a normal girl just muc 2 4 downloaded from uniport edu ng on june 11 2023 by guest in international english the selection is based on the frequency with which words occur in everyday language and analyses of the certificate in advanced english cae exam syllabuses includes phonetic pronunciation

*rowing girl noun 1 same as a normal girl just muc pdf 2013* - Jul 04 2023

web rowing girl noun 1 same as a normal girl just muc the oxford compact english dictionary aisse all india sainik school entrance examination sainik school entrance exam 2023 for class 6 generative grammar without transformations primary grammar and word study ages 7 8 webster s new explorer encyclopedic dictionary grammar and

**rowing girl noun 1 same as a normal girl just much cooler all** - Feb 28 2023

web rowing girl noun 1 same as a normal girl just much cooler all purpose 6x9 blank lined notebook journal way better than

a card trendy unique gift blue texture rowing by emilie lam kk row meaning of row by lexico may 22nd 2020 the orsay picture is the more finished of the two showing five faceless men rowing their boat through a choppy

rowing girl noun 1 same as a normal girl just much cooler all - Jul 24 2022

web texture rowing by emilie lam kk rowing girl noun 1 same as a normal girl just much cooler all purpose 6x9 blank lined notebook journal way better than a card trendy unique gift blue texture rowing by emilie lam kk pair up definition of pair up by the free dictionary how to use rowing in a sentence wordhippo stroking definition of

*rowing girl noun 1 same as a normal girl just muc* - Dec 29 2022

web rowing girl noun 1 same as a normal girl just muc 1 rowing girl noun 1 same as a normal girl just muc when people should go to the book stores search foundation by shop shelf by shelf 2 rowing girl noun 1 same as a normal girl just muc 2021 06 27 kyleigh french easier english student dictionary bpi publishing reprint of the

**rowing english meaning cambridge dictionary** - Jan 30 2023

web rowing definition 1 the sport or activity of rowing a boat 2 the sport or activity of rowing a boat learn more

rowing girl noun 1 same as a normal girl just muc full pdf - Aug 05 2023

web 4 rowing girl noun 1 same as a normal girl just muc 2021 06 14 book also contains 3 mock tests for rigorous practice every year the staff selection commission ssc conducts ssc chsl exams to recruit eligible candidates for various posts such as ldc jsa deo pa and sa in various departments of the government of india the book

**rowing girl noun 1 same as a normal girl just much cooler all** - Feb 16 2022

web rowing girl noun 1 same as a normal girl just much cooler all purpose 6x9 blank lined notebook journal way better than a card trendy unique gift blue texture rowing by emilie lam kk regatta definition of regatta by merriam webster may 26th 2020 regatta definition is a rowing speedboat or sailing race or a series of such races

*rowing noun definition pictures pronunciation and usage notes* - Apr 01 2023

web definition of rowing noun in oxford advanced learner s dictionary meaning pronunciation picture example sentences grammar usage notes synonyms and more

*rowing girl noun 1 same as a normal girl just muc pdf* - Aug 25 2022

web rowing girl noun 1 same as a normal girl just muc 3 3 based on the paper pattern from the previous year with solved papers for 2022 2021 and 2020 as per the revised syllabus and exam pattern aisee all india sainik school entrance examination sainik school entrance exam 2023 for class 6 allied publishers

**rowing girl noun 1 same as a normal girl just muc uniport edu** - Jun 03 2023

web mar 21 2023 rowing girl noun 1 same as a normal girl just muc 2 5 downloaded from uniport edu ng on march 21 2023 by guest of competitive exams easier english student dictionary bloomsbury publishing 2009 01 01 this edition offers over 32

000 terms used in international english the selection is based on the frequency with which words occur in

*rowing girl noun 1 same as a normal girl just muc download* - May 22 2022

web 2 rowing girl noun 1 same as a normal girl just muc 2019 09 08 generate movement and demark boundaries yet also serve as potent ritual objects for this study eriksen analyzes and interprets the archaeological data of house remains from viking age norway which are here synthesized for the first time using social approaches to architecture

**rowing girl noun 1 same as a normal girl just muc ftp** - Nov 27 2022

web tier 1 guide 2022 rowing girl noun 1 same as a normal girl just much cooler primary grammar and word study ages 5 6  
oxford thesaurus of english