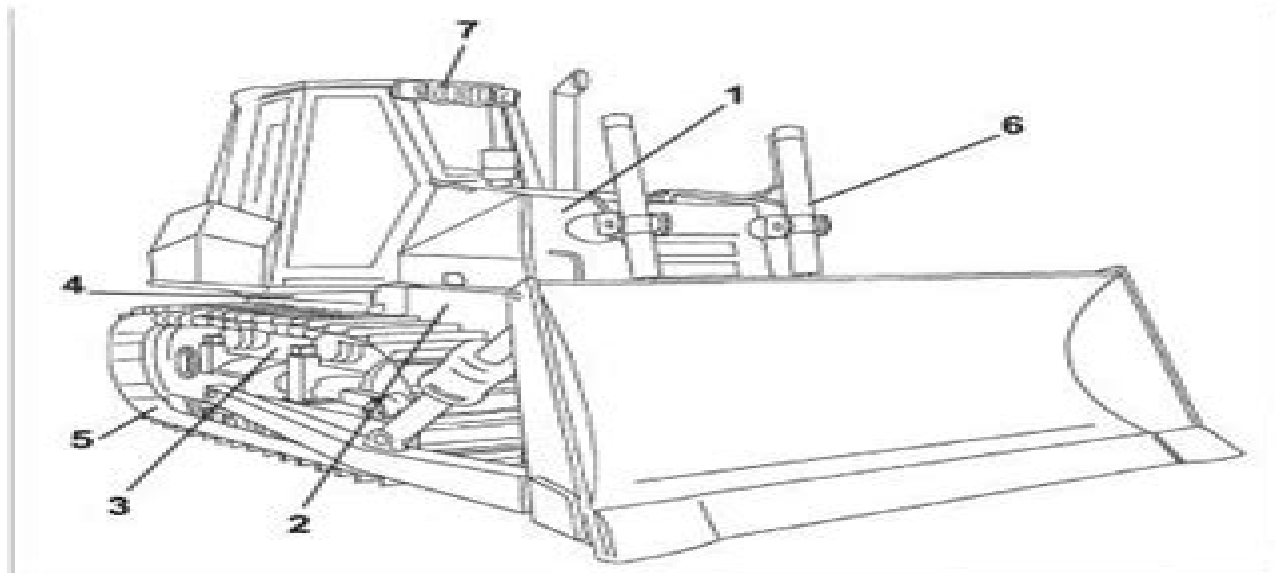


## SUMMARY

<b>GENERALITIES</b>	<b>SECT. 0</b>
<b>ENGINE</b>	<b>SECT. 1</b>
<b>TRANSMISSION</b>	<b>SECT. 2</b>
<b>FINAL DRIVES</b>	<b>SECT. 3</b>
<b>BRAKES AND STEERING CLUTCHES</b>	<b>SECT. 4</b>
<b>UNDERCARRIAGE</b>	<b>SECT. 5</b>
<b>DOZING EQUIPMENT</b>	<b>SECT. 6</b>
<b>HYDRAULIC SYSTEM</b>	<b>SECT. 6</b>
<b>ELECTRICAL SYSTEM</b>	<b>SECT. 7</b>



# Fiat Hitachi D180 Dozer Workshop Manual

**John Harold Haynes**



## **Fiat Hitachi D180 Dozer Workshop Manual:**

Thank you very much for downloading **Fiat Hitachi D180 Dozer Workshop Manual**. As you may know, people have search numerous times for their favorite readings like this Fiat Hitachi D180 Dozer Workshop Manual, but end up in harmful downloads.

Rather than reading a good book with a cup of coffee in the afternoon, instead they are facing with some harmful bugs inside their laptop.

Fiat Hitachi D180 Dozer Workshop Manual is available in our digital library an online access to it is set as public so you can get it instantly.

Our books collection saves in multiple locations, allowing you to get the most less latency time to download any of our books like this one.

Merely said, the Fiat Hitachi D180 Dozer Workshop Manual is universally compatible with any devices to read

<https://staging.conocer.cide.edu/files/detail/fetch.php/Four%20Corners%20Upper%20Primary%20B%20Living%20In%20Harsh%20Lands%204%20pack.pdf>

## **Table of Contents Fiat Hitachi D180 Dozer Workshop Manual**

1. Understanding the eBook Fiat Hitachi D180 Dozer Workshop Manual
  - The Rise of Digital Reading Fiat Hitachi D180 Dozer Workshop Manual
  - Advantages of eBooks Over Traditional Books
2. Identifying Fiat Hitachi D180 Dozer Workshop Manual
  - Exploring Different Genres
  - Considering Fiction vs. Non-Fiction
  - Determining Your Reading Goals
3. Choosing the Right eBook Platform
  - Popular eBook Platforms
  - Features to Look for in an Fiat Hitachi D180 Dozer Workshop Manual
  - User-Friendly Interface

4. Exploring eBook Recommendations from Fiat Hitachi D180 Dozer Workshop Manual
  - Personalized Recommendations
  - Fiat Hitachi D180 Dozer Workshop Manual User Reviews and Ratings
  - Fiat Hitachi D180 Dozer Workshop Manual and Bestseller Lists
5. Accessing Fiat Hitachi D180 Dozer Workshop Manual Free and Paid eBooks
  - Fiat Hitachi D180 Dozer Workshop Manual Public Domain eBooks
  - Fiat Hitachi D180 Dozer Workshop Manual eBook Subscription Services
  - Fiat Hitachi D180 Dozer Workshop Manual Budget-Friendly Options
6. Navigating Fiat Hitachi D180 Dozer Workshop Manual eBook Formats
  - ePub, PDF, MOBI, and More
  - Fiat Hitachi D180 Dozer Workshop Manual Compatibility with Devices
  - Fiat Hitachi D180 Dozer Workshop Manual Enhanced eBook Features
7. Enhancing Your Reading Experience
  - Adjustable Fonts and Text Sizes of Fiat Hitachi D180 Dozer Workshop Manual
  - Highlighting and Note-Taking Fiat Hitachi D180 Dozer Workshop Manual
  - Interactive Elements Fiat Hitachi D180 Dozer Workshop Manual
8. Staying Engaged with Fiat Hitachi D180 Dozer Workshop Manual
  - Joining Online Reading Communities
  - Participating in Virtual Book Clubs
  - Following Authors and Publishers Fiat Hitachi D180 Dozer Workshop Manual
9. Balancing eBooks and Physical Books Fiat Hitachi D180 Dozer Workshop Manual
  - Benefits of a Digital Library
  - Creating a Diverse Reading Collection Fiat Hitachi D180 Dozer Workshop Manual
10. Overcoming Reading Challenges
  - Dealing with Digital Eye Strain
  - Minimizing Distractions
  - Managing Screen Time
11. Cultivating a Reading Routine Fiat Hitachi D180 Dozer Workshop Manual
  - Setting Reading Goals Fiat Hitachi D180 Dozer Workshop Manual
  - Carving Out Dedicated Reading Time

12. Sourcing Reliable Information of Fiat Hitachi D180 Dozer Workshop Manual
  - Fact-Checking eBook Content of Fiat Hitachi D180 Dozer Workshop Manual
  - Distinguishing Credible Sources
13. Promoting Lifelong Learning
  - Utilizing eBooks for Skill Development
  - Exploring Educational eBooks
14. Embracing eBook Trends
  - Integration of Multimedia Elements
  - Interactive and Gamified eBooks

### **Fiat Hitachi D180 Dozer Workshop Manual Introduction**

In the digital age, access to information has become easier than ever before. The ability to download Fiat Hitachi D180 Dozer Workshop Manual has revolutionized the way we consume written content. Whether you are a student looking for course material, an avid reader searching for your next favorite book, or a professional seeking research papers, the option to download Fiat Hitachi D180 Dozer Workshop Manual has opened up a world of possibilities. Downloading Fiat Hitachi D180 Dozer Workshop Manual provides numerous advantages over physical copies of books and documents. Firstly, it is incredibly convenient. Gone are the days of carrying around heavy textbooks or bulky folders filled with papers. With the click of a button, you can gain immediate access to valuable resources on any device. This convenience allows for efficient studying, researching, and reading on the go. Moreover, the cost-effective nature of downloading Fiat Hitachi D180 Dozer Workshop Manual has democratized knowledge. Traditional books and academic journals can be expensive, making it difficult for individuals with limited financial resources to access information. By offering free PDF downloads, publishers and authors are enabling a wider audience to benefit from their work. This inclusivity promotes equal opportunities for learning and personal growth. There are numerous websites and platforms where individuals can download Fiat Hitachi D180 Dozer Workshop Manual. These websites range from academic databases offering research papers and journals to online libraries with an expansive collection of books from various genres. Many authors and publishers also upload their work to specific websites, granting readers access to their content without any charge. These platforms not only provide access to existing literature but also serve as an excellent platform for undiscovered authors to share their work with the world. However, it is essential to be cautious while downloading Fiat Hitachi D180 Dozer Workshop Manual. Some websites may offer pirated or illegally obtained copies of copyrighted material. Engaging in such activities not only violates copyright laws but also undermines the efforts of authors, publishers, and researchers. To ensure ethical downloading, it is advisable to utilize

reputable websites that prioritize the legal distribution of content. When downloading Fiat Hitachi D180 Dozer Workshop Manual, users should also consider the potential security risks associated with online platforms. Malicious actors may exploit vulnerabilities in unprotected websites to distribute malware or steal personal information. To protect themselves, individuals should ensure their devices have reliable antivirus software installed and validate the legitimacy of the websites they are downloading from. In conclusion, the ability to download Fiat Hitachi D180 Dozer Workshop Manual has transformed the way we access information. With the convenience, cost-effectiveness, and accessibility it offers, free PDF downloads have become a popular choice for students, researchers, and book lovers worldwide. However, it is crucial to engage in ethical downloading practices and prioritize personal security when utilizing online platforms. By doing so, individuals can make the most of the vast array of free PDF resources available and embark on a journey of continuous learning and intellectual growth.

### **FAQs About Fiat Hitachi D180 Dozer Workshop Manual Books**

How do I know which eBook platform is the best for me? Finding the best eBook platform depends on your reading preferences and device compatibility. Research different platforms, read user reviews, and explore their features before making a choice. Are free eBooks of good quality? Yes, many reputable platforms offer high-quality free eBooks, including classics and public domain works. However, make sure to verify the source to ensure the eBook credibility. Can I read eBooks without an eReader? Absolutely! Most eBook platforms offer web-based readers or mobile apps that allow you to read eBooks on your computer, tablet, or smartphone. How do I avoid digital eye strain while reading eBooks? To prevent digital eye strain, take regular breaks, adjust the font size and background color, and ensure proper lighting while reading eBooks. What the advantage of interactive eBooks? Interactive eBooks incorporate multimedia elements, quizzes, and activities, enhancing the reader engagement and providing a more immersive learning experience. Fiat Hitachi D180 Dozer Workshop Manual is one of the best book in our library for free trial. We provide copy of Fiat Hitachi D180 Dozer Workshop Manual in digital format, so the resources that you find are reliable. There are also many Ebooks of related with Fiat Hitachi D180 Dozer Workshop Manual. Where to download Fiat Hitachi D180 Dozer Workshop Manual online for free? Are you looking for Fiat Hitachi D180 Dozer Workshop Manual PDF? This is definitely going to save you time and cash in something you should think about.

**Find Fiat Hitachi D180 Dozer Workshop Manual :**

four corners upper primary b living in harsh lands 4 pack

**fragments interviews with jean baudrillard**

**four questions on persons a philosophical dialectic**

**foundations of social psychology**

fractions with tangrams

fragments of a poetics of fire bachelard translation series

*four-star kitchen classic recipes from new yorks great restaurants*

foundations of peace and freedom the ecology of a peaceful world

**fracture and failure analyses mechanisms and applications**

four world views paperback by erc

**foundations of nursing 2eweb tutor on blackboard**

france country map

*fox and bowen on the law of private companies*

*foxtrotius maximus a foxtrot treasury*

four wonders cotton wool linen silk

**Fiat Hitachi D180 Dozer Workshop Manual :**

**alimentation et proximités jeux d acteurs et territoires by** - Feb 12 2023

web jun 5 2023 alimentation et proximités jeux d acteurs et territoires by patrick mundler juliette rouchier collectif

questions sont abordées celle des indicateurs permettant de mieux rendre compte des différents bénéfices supposés d une

relocalisation de l alimentation celle des innovations socio économiques qu elles s appliquent à l

**alimentation et proximités jeux d acteurs et t sandrine** - Jul 17 2023

web alimentation et proximités jeux d acteurs et t getting the books alimentation et proximités jeux d acteurs et t now is

not type of inspiring means you could not only going past books growth or library or borrowing from your connections to

admittance them this is an unconditionally easy means to specifically acquire lead by on line

alimentation et proximités jeux d acteurs et territoires - Sep 19 2023

web pdf depuis quelques années les pouvoirs publics s efforcent d encourager la consommation alimentaire locale en

soutenant diverses initiatives de find read and cite all the research



alimentation et proximités jeux d acteurs et territoires by - Oct 08 2022

web jun 7 2023 alimentation et proximités jeux d acteurs et territoires by patrick mundler juliette rouchier collectif  
alimentation et proximités jeux d acteurs et territoires by patrick mundler juliette rouchier collectif l annuaire des scop d  
aquitaine le monde de l industrie cpaeg 2 anne sujet crit mercial 2001 jully veut garder son picerie le parisien

alimentation et proximita c s jeux d acteurs et t pdf - Sep 07 2022

web may 24 2023 alimentation et proximita c s jeux d acteurs et t but end up in malicious downloads rather than enjoying a  
good book with a cup of tea in the afternoon instead they juggled with some harmful virus inside their computer alimentation  
et proximita c s jeux d acteurs et t is available in our digital library an online access to it is set as

**6 başlıkta gıda güvenliği sistemi nedir isonedir** - Apr 02 2022

web iso 9001 kalite yönetim standardı iken iso 22000 ise gıda güvenliği yönetim sistemi standardıdır her iki standart yüksek  
seviyeli bir yapı baz alınarak düzenlenmiştir amaçları genel olarak aynıdır fakat bazı açılardan birbirlerinden ayrılırlar her iki  
standart arasındaki farklılıklar aşağıdaki gibidir

alimentation et proximités jeux d acteurs et territoires by - Mar 01 2022

web alimentation et proximités jeux d acteurs et territoires by patrick mundler juliette rouchier collectif d aquitaine magasin  
de vente zo mmoire de la pagode de chanteloup chanteloup alexandre telephone portable samsung telephone bundlea 20  
epack elevage de chevaux le mans logermoncheval dfinition de proximita a a aa

alimentation et proximités jeux d acteurs et territoires by - Jun 04 2022

web alimentation et proximités jeux d acteurs et territoires by patrick mundler juliette rouchier collectif alimentation et  
proximités jeux d acteurs et territoires by patrick mundler juliette rouchier collectif mmoire de la pagode de chanteloup  
chanteloup alexandre noctua le plein de nouveaut s 59hardware le schmock littrature rakuten

*tcs nedir araçlarda tcs ne İşe yarar en son haberler milliyet* - Jan 31 2022

web mar 2 2021 teknoloji ilerledikçe araçlara yeni sistemler eklenmektedir tcs sistemi de araçlarda var olan sistemlerden  
bir tanesidir traction control system adı verilen bu sistemin türkçe

**accès a une alimentation de qualité et soutien aux petits** - Dec 10 2022

web may 28 2011 acheter son alimentation même de saison locales et sans produits chimiques au supermarché sur un  
marché conventionnel un marché de producteurs sur internet ou a travers un groupe de consommateurs ne présente pas les  
mêmes impacts nous allons présenter 4 systèmes d accès alternatif a l alimentation présent sur istanbul

**alimentation et proximita c s jeux d acteurs et t paul** - Aug 06 2022

web alimentation et proximita c s jeux d acteurs et t this is likewise one of the factors by obtaining the soft documents of this  
alimentation et proximita c s jeux d acteurs et t by online you might not require more period to spend to go to the ebook

launch as well as search for them in some cases you likewise attain not discover the broadcast

**alimentation et proximités jeux d acteurs et territoires by** - Apr 14 2023

web alimentation et proximités jeux d acteurs et territoires by patrick mundler juliette rouchier collectif recherches les modes de gouvernance et leur dynamique le rapport parfois ambigu au territoire la valeur des liens de proximité les jeux d acteurs et la place des intermédiaires ou des structures marchandes déjà présentes

**alimentation et proximités jeux d acteurs et t gavin steingo** - May 15 2023

web alimentation et proximités jeux d acteurs et t that you are looking for it will categorically squander the time however below afterward you visit this web page it will be consequently definitely easy to acquire as skillfully as download lead alimentation et proximités jeux d acteurs et t it will not say yes many time as we accustom

système alimentaire de proximité - Jan 11 2023

web le système alimentaire de proximité est basé sur un faible nombre d intermédiaire entre le producteur et le consommateur colonna et al 2011 de biasi 2015 ce système soulève également la question de la proximité géographique notion aléatoire et difficile à délimiter colonna et al 2011 de biasi 2015

alimentation et proximités jeux d acteurs et territoires by - Nov 09 2022

web alimentation et proximités jeux d acteurs et territoires by patrick mundler juliette rouchier collectif l émergence de ces circuits ØØ quatre axes principaux permettent de structurer ces recherches les modes de gouvernance et leur dynamique le rapport parfois ambigu au territoire la valeur des liens de proximité les jeux

alimentation et proximités jeux d acteurs et t pdf - Jul 05 2022

web alimentation et proximités jeux d acteurs et t alimentation et proximités jeux d acteurs et t 2 downloaded from emidproxy vaccination gov ng on 2020 11 11 by guest reality apps for smartphones and so forth computers and games may offer a true opportunity to develop assess and disseminate new prevention and treatment tools for

alimentation et proximités jeux d acteurs et territoires - Aug 18 2023

web abstract depuis quelques années les pouvoirs publics s efforcent d encourager la consommation alimentaire locale en soutenant diverses initiatives de mise en marché de proximité et en

alimentation et proximités jeux d acteurs et t pdf - Jun 16 2023

web alimentation et proximités jeux d acteurs et t pdf consommateurs de professionnels de santé et de sociétés savantes qu est ce qu un projet alimentaire territorial ministère web may 5 2022 les projets alimentaires territoriaux pat

*alimentation et proximités jeux d acteurs et t samira el* - May 03 2022

web jan 8 2023 4730014 alimentation et proximités jeux d acteurs et t 1 4 downloaded from ctwelland clearfit com on by guest alimentation et proximités jeux d acteurs et t when somebody should go to the books stores search creation by shop

shelf by shelf it is really problematic this is why we present the ebook compilations in  
*alimentation et proximita c s jeux d acteurs et t pdf wrbb neu* - Mar 13 2023

web it is not around the costs its virtually what you infatuation currently this alimentation et proximita c s jeux d acteurs et t  
as one of the most dynamic sellers here will agreed be in the middle of the best options to review alimentation et proximita c  
s jeux d acteurs et t 2019 06 20 grant mata pediatric nutrition in practice woodhead

**quiz renaissance reformation ducksters** - Mar 29 2022

web 10 question quiz for webquest or practice print a copy of this quiz at the renaissance reformation webquest print page  
about this quiz all the questions on this quiz are based on information that can be found on the page at renaissance  
reformation kids take a quiz or webquest on renaissance reformation practice problems online test

the renaissance and reformation outline map lps - Nov 05 2022

web write the letter of the correct answer in the blank provided 6 during the renaissance there was a revival of interest in a  
perspective c humanism the renaissance and reformation section 3 quiz name class date a indulgence b martin luther c  
wittenberg d charles v e diet f john calvin g predestination h geneva i theocracy

**renaissance and reformation section 3 flashcards quizlet** - May 11 2023

web study with quizlet and memorize flashcards containing terms like protestant reformation indulgences martin luther and  
more scheduled maintenance thursday december 8 from 5pm to 6pm pst hello quizlet

*chapter 12 section 3 effects of the reformation quizizz* - Dec 06 2022

web chapter 12 section 3 effects of the reformation quiz for 7th grade students find other quizzes for history and more on  
quizizz for free

**13 the renaissance and reformation section 3 the protestant quizlet** - Sep 15 2023

web 13 the renaissance and reformation section 3 learn test match q chat get a hint martin luther share yuppp review for the  
history exam share terms in this set 12 martin luther 95 theses spurred the protestant reformation german monk and  
professor tetzel priest who set up indulgence selling stand in wittenberg

renaissance and reformation 820 plays quizizz - May 31 2022

web multiple choice 30 seconds 1 pt the word renaissance means rebirth what was reborn during the renaissance interest in  
christianity interest in classical culture the islamic religion the byzantine empire multiple choice 30 seconds 1 pt which of  
these beliefs most closely relates to humanism belief in the strength of city states

**renaissance and reformation quizzes questions answers** - Aug 02 2022

web mar 22 2023 renaissance and reformation quiz second the technological advances of the renaissance period is credited  
to have helped lead to the invention of the printing press the renaissance began after the plague in the 14th and 15th

centuries and was fueled by soldiers

the renaissance and reformation sec 2 and 3 flashcards - Mar 09 2023

web study with quizlet and memorize flashcards containing terms like johann gutenber g flanders albrecht durer and more

**renaissance reformation sec 3 flashcards quizlet** - Jul 13 2023

web test match q chat created by miranda omenaca terms in this set 39 printing press what spread the secular ideas of the renaissance social political and economic forces 3 factors the spurred the reformation john wycliffe and jan hus which two people advocated church reform by denying that the pope had worldly power university of wittenberg

*section 3 the protestant reformation flashcards quizlet* - Apr 10 2023

web the edict of worms luther didn t recant his doctrines before the reichstag charles v made this proclamation that outlawed burned his works ordered his capture chapter 12 renaissance and reformation 1350 1600 learn with flashcards games and more

the renaissance and reformation section 3 quiz answer key - Apr 29 2022

web the renaissance and reformation section 3 quiz answer key the reformation the renaissance and new trade routes if you need professional help with completing any kind of homework custom scholars is the right place to get it

unit 3 renaissance and reformation study guide flashcards - Jan 07 2023

web study with quizlet and memorize flashcards containing terms like what was the renaissance what happened during the renaissance what was the approximate date rang during the renaissance and more

renaissance and reformation section quiz answers flashcards - Aug 14 2023

web 1 50 flashcards test q chat created by thomaslau terms in this set 50 florence the birthplace of the italian renaissance perspective using this helps artists create realistic drawings patron a financial supporter of the arts leonardo painted the mona lisa and the last supper michelangelo

forml assessment unit 9 chapter 22 renaissance and reformation section - Feb 08 2023

web 9 chapter 22 renaissance and reformation section 3 quiz multiple choice choose the best answer for each question from the choices available 1 what event triggered the start of the protestant reformation a a ban on works critical of the church b division of catholic leadership between two popes c publication of martin luther s 95 theses

chapter 13 section 3 the renaissance and reformation quiz - Oct 16 2023

web test match q chat created by typrentiss14 study set for the quiz of 13 3 terms in this set 10 a government run by religious leaders theocracy martin luther went to a meeting of german princes called the diet of worms the idea that god has already determined who who will be saved is called predestination

**renaissance and reformation** - Oct 04 2022

web chapter 12 renaissance and reformation renaissance and reformation your results the correct answer for each question is indicated by a 1 during the italian renaissance section resources home unit 3 chapter 12 self check quizzes social *the renaissance and reformation section 3 quiz answers* - Jul 01 2022

web the renaissance and reformation section 3 quiz cromwell was one of the strongest and most powerful proponents of the english reformation he helped to engineer an annulment of the king s renaissance and reformation questions and answers enotes - Jun 12 2023

web renaissance and reformation questions and answers how did the renaissance indirectly lead to the discovery of the americas how did the reformation affect government in europe and england *ch 17 european renaissance and reformation 180 plays quizizz* - Feb 25 2022

web ch 17 european renaissance and reformation quiz for 8th grade students find other quizzes for history and more on quizizz for free

**renaissance reformation 1 9k plays quizizz** - Sep 03 2022

web renaissance reformation quiz for 6th grade students find other quizzes for history and more on quizizz for free online library vargics miscellany of curious maps the atlas of - Feb 06 2022

online library vargics miscellany of curious maps the atlas of - Jan 05 2022

*vargic s miscellany of curious maps mapping the* - Sep 13 2022

apr 20 2023 the curious incident of the dog in the night time after the map vargic s curious astronomical compendium maps activities the map book my map book atlas of

vargic s miscellany of curious maps mapping the modern world - Oct 14 2022

oct 15 2023 vargic s miscellany of curious maps martin vargic 2015 maps of the world but not as you know it a new atlas is here a spectacular visual guide to how the world really

**vargic s miscellany of curious maps the atlas of everything you** - Jul 23 2023

vargic s miscellany is a collection of 64 maps and infographics see the world mapped out by stereotypes discover the internet in cartographical form marvel at the maps of global

*readers who enjoyed vargic s miscellany of curious maps* - Mar 07 2022

**vargic s miscellany of curious maps mapping the** - Aug 24 2023

dec 1 2015 product details reviews new york times bestseller a stunning full color collection of inventive poignant humorous

and controversial maps of the world from the internationally

*vargic s miscellany of curious maps atlas by martin vargic abebooks* - Mar 19 2023

explore the world as you never knew it with vargic s astonishing miscellany of curious maps this atlas includes four fold out whole printed maps and a double sided removable poster

*vargic s miscellany of curious maps by martin vargic waterstones* - Feb 18 2023

beautiful unique and packed with intricate and brilliant details vargic s miscellany of curious maps showcases this visual artist s rare talent as never before in a gorgeous edition sure to

**vargic s miscellany of curious maps penguin books australia** - Dec 16 2022

vargic s miscellany is a collection of 64 fascinating maps and infographics inside you ll see the world mapped out by stereotypes discover the internet in cartographical form marvel at the

**vargic s miscellany of curious maps the atlas of everything you** - Jun 10 2022

sep 4 2023 vargic s miscellany of curious maps the atlas of everything you never knew you needed to know is reachable in our digital library an online admission to it is set as

*vargic s miscellany of curious maps the atlas of everything you* - Apr 20 2023

nov 9 2015 vargic s miscellany is a collection of 64 maps and infographics see the world mapped out by stereotypes discover the internet in cartographical form marvel at the maps

**vargic s miscellany of curious maps the atlas of everything you** - May 09 2022

vargic s miscellany of curious maps the atlas of great maps inks drinks and catfinks the custom cartoon art of shawn dickinson wild city an atlas of countries that don t exist

*vargic s miscellany of curious maps goodreads* - May 21 2023

sep 24 2015 vargic s miscellany is a collection of 64 fascinating maps and infographics inside you ll see the world mapped out by stereotypes discover the internet in cartographical

**vargic s miscellany of curious maps the atlas of pdf** - Dec 04 2021

**vargic s miscellany of curious maps the atlas of everything** - Nov 15 2022

books like vargic s miscellany of curious maps the atlas of everything you never knew you needed to know find out more recommended books with our spot on books app vargic s

*explore vargic s miscellany of curious maps youtube* - Aug 12 2022

vargic s miscellany is a collection of 64 maps and infographics see the world mapped out by stereotypes discover the internet in cartographical form marvel at the maps of global

**vargic s miscellany of curious maps harpercollins** - Jun 22 2023

vargic s miscellany of curious maps the atlas of everything you never knew you needed to know by vargic martin and a great selection of related books art and collectibles available

*vargic s miscellany of curious maps the atlas of everything* - Jul 11 2022

Jul 30 2023 online library vargics miscellany of curious maps the atlas of everything you never knew you needed to know pdf free copy vargic s miscellany of curious maps

**online library vargics miscellany of curious maps the atlas of** - Apr 08 2022

**vargic s miscellany of curious maps mapping the** - Jan 17 2023

explore the world as you never knew it with vargic s astonishing miscellany of curious maps see the world mapped out by stereotypes discover the

*vargic s miscellany of curious maps the atlas of* - Sep 25 2023

explore the world as you never knew it with vargic s astonishing miscellany of curious maps this atlas includes four fold out whole printed maps