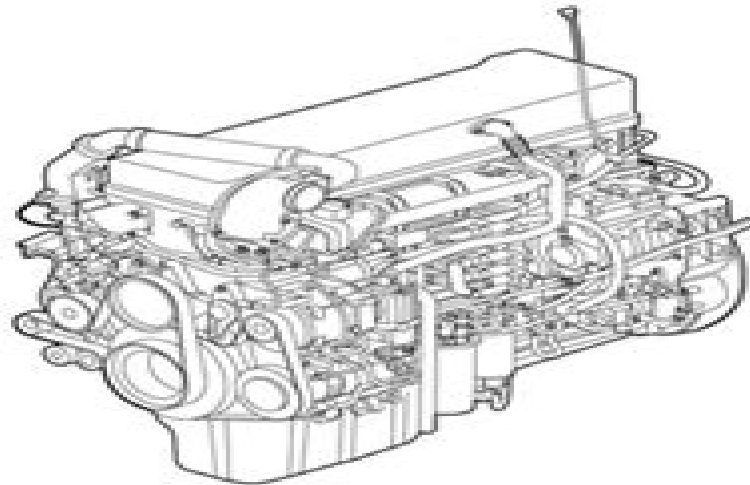




MACK® MP8 DIESEL ENGINE SERVICE MANUAL ('07 EMISSIONS REGULATIONS)



Mack Mp8 Service Manual

Michael Hoelscher



Mack Mp8 Service Manual:

Fuel your quest for knowledge with Learn from is thought-provoking masterpiece, Explore **Mack Mp8 Service Manual** . This educational ebook, conveniently sized in PDF (*), is a gateway to personal growth and intellectual stimulation. Immerse yourself in the enriching content curated to cater to every eager mind. Download now and embark on a learning journey that promises to expand your horizons. .

https://staging.conocer.cide.edu/results/virtual-library/Download_PDFS/Healthy%20Oatmeal%20Chocolate%20Chip%20Cookie%20Recipe.pdf

Table of Contents Mack Mp8 Service Manual

1. Understanding the eBook Mack Mp8 Service Manual
 - The Rise of Digital Reading Mack Mp8 Service Manual
 - Advantages of eBooks Over Traditional Books
2. Identifying Mack Mp8 Service Manual
 - Exploring Different Genres
 - Considering Fiction vs. Non-Fiction
 - Determining Your Reading Goals
3. Choosing the Right eBook Platform
 - Popular eBook Platforms
 - Features to Look for in an Mack Mp8 Service Manual
 - User-Friendly Interface
4. Exploring eBook Recommendations from Mack Mp8 Service Manual
 - Personalized Recommendations
 - Mack Mp8 Service Manual User Reviews and Ratings
 - Mack Mp8 Service Manual and Bestseller Lists
5. Accessing Mack Mp8 Service Manual Free and Paid eBooks
 - Mack Mp8 Service Manual Public Domain eBooks
 - Mack Mp8 Service Manual eBook Subscription Services

- Mack Mp8 Service Manual Budget-Friendly Options
- 6. Navigating Mack Mp8 Service Manual eBook Formats
 - ePub, PDF, MOBI, and More
 - Mack Mp8 Service Manual Compatibility with Devices
 - Mack Mp8 Service Manual Enhanced eBook Features
- 7. Enhancing Your Reading Experience
 - Adjustable Fonts and Text Sizes of Mack Mp8 Service Manual
 - Highlighting and Note-Taking Mack Mp8 Service Manual
 - Interactive Elements Mack Mp8 Service Manual
- 8. Staying Engaged with Mack Mp8 Service Manual
 - Joining Online Reading Communities
 - Participating in Virtual Book Clubs
 - Following Authors and Publishers Mack Mp8 Service Manual
- 9. Balancing eBooks and Physical Books Mack Mp8 Service Manual
 - Benefits of a Digital Library
 - Creating a Diverse Reading Collection Mack Mp8 Service Manual
- 10. Overcoming Reading Challenges
 - Dealing with Digital Eye Strain
 - Minimizing Distractions
 - Managing Screen Time
- 11. Cultivating a Reading Routine Mack Mp8 Service Manual
 - Setting Reading Goals Mack Mp8 Service Manual
 - Carving Out Dedicated Reading Time
- 12. Sourcing Reliable Information of Mack Mp8 Service Manual
 - Fact-Checking eBook Content of Mack Mp8 Service Manual
 - Distinguishing Credible Sources
- 13. Promoting Lifelong Learning
 - Utilizing eBooks for Skill Development
 - Exploring Educational eBooks
- 14. Embracing eBook Trends

- Integration of Multimedia Elements
- Interactive and Gamified eBooks

Mack Mp8 Service Manual Introduction

In today's digital age, the availability of Mack Mp8 Service Manual books and manuals for download has revolutionized the way we access information. Gone are the days of physically flipping through pages and carrying heavy textbooks or manuals. With just a few clicks, we can now access a wealth of knowledge from the comfort of our own homes or on the go. This article will explore the advantages of Mack Mp8 Service Manual books and manuals for download, along with some popular platforms that offer these resources. One of the significant advantages of Mack Mp8 Service Manual books and manuals for download is the cost-saving aspect. Traditional books and manuals can be costly, especially if you need to purchase several of them for educational or professional purposes. By accessing Mack Mp8 Service Manual versions, you eliminate the need to spend money on physical copies. This not only saves you money but also reduces the environmental impact associated with book production and transportation. Furthermore, Mack Mp8 Service Manual books and manuals for download are incredibly convenient. With just a computer or smartphone and an internet connection, you can access a vast library of resources on any subject imaginable. Whether you're a student looking for textbooks, a professional seeking industry-specific manuals, or someone interested in self-improvement, these digital resources provide an efficient and accessible means of acquiring knowledge. Moreover, PDF books and manuals offer a range of benefits compared to other digital formats. PDF files are designed to retain their formatting regardless of the device used to open them. This ensures that the content appears exactly as intended by the author, with no loss of formatting or missing graphics. Additionally, PDF files can be easily annotated, bookmarked, and searched for specific terms, making them highly practical for studying or referencing. When it comes to accessing Mack Mp8 Service Manual books and manuals, several platforms offer an extensive collection of resources. One such platform is Project Gutenberg, a nonprofit organization that provides over 60,000 free eBooks. These books are primarily in the public domain, meaning they can be freely distributed and downloaded. Project Gutenberg offers a wide range of classic literature, making it an excellent resource for literature enthusiasts. Another popular platform for Mack Mp8 Service Manual books and manuals is Open Library. Open Library is an initiative of the Internet Archive, a non-profit organization dedicated to digitizing cultural artifacts and making them accessible to the public. Open Library hosts millions of books, including both public domain works and contemporary titles. It also allows users to borrow digital copies of certain books for a limited period, similar to a library lending system. Additionally, many universities and educational institutions have their own digital libraries that provide free access to PDF books and manuals. These libraries often offer academic texts, research papers, and technical manuals, making them invaluable resources for students and researchers. Some notable

examples include MIT OpenCourseWare, which offers free access to course materials from the Massachusetts Institute of Technology, and the Digital Public Library of America, which provides a vast collection of digitized books and historical documents. In conclusion, Mack Mp8 Service Manual books and manuals for download have transformed the way we access information. They provide a cost-effective and convenient means of acquiring knowledge, offering the ability to access a vast library of resources at our fingertips. With platforms like Project Gutenberg, Open Library, and various digital libraries offered by educational institutions, we have access to an ever-expanding collection of books and manuals. Whether for educational, professional, or personal purposes, these digital resources serve as valuable tools for continuous learning and self-improvement. So why not take advantage of the vast world of Mack Mp8 Service Manual books and manuals for download and embark on your journey of knowledge?

FAQs About Mack Mp8 Service Manual Books

What is a Mack Mp8 Service Manual PDF? A PDF (Portable Document Format) is a file format developed by Adobe that preserves the layout and formatting of a document, regardless of the software, hardware, or operating system used to view or print it. **How do I create a Mack Mp8 Service Manual PDF?** There are several ways to create a PDF: Use software like Adobe Acrobat, Microsoft Word, or Google Docs, which often have built-in PDF creation tools. Print to PDF: Many applications and operating systems have a "Print to PDF" option that allows you to save a document as a PDF file instead of printing it on paper. Online converters: There are various online tools that can convert different file types to PDF. **How do I edit a Mack Mp8 Service Manual PDF?** Editing a PDF can be done with software like Adobe Acrobat, which allows direct editing of text, images, and other elements within the PDF. Some free tools, like PDFescape or Smallpdf, also offer basic editing capabilities. **How do I convert a Mack Mp8 Service Manual PDF to another file format?** There are multiple ways to convert a PDF to another format: Use online converters like Smallpdf, Zamzar, or Adobe Acrobats export feature to convert PDFs to formats like Word, Excel, JPEG, etc. Software like Adobe Acrobat, Microsoft Word, or other PDF editors may have options to export or save PDFs in different formats. **How do I password-protect a Mack Mp8 Service Manual PDF?** Most PDF editing software allows you to add password protection. In Adobe Acrobat, for instance, you can go to "File" -> "Properties" -> "Security" to set a password to restrict access or editing capabilities. Are there any free alternatives to Adobe Acrobat for working with PDFs? Yes, there are many free alternatives for working with PDFs, such as: LibreOffice: Offers PDF editing features. PDFsam: Allows splitting, merging, and editing PDFs. Foxit Reader: Provides basic PDF viewing and editing capabilities. How do I compress a PDF file? You can use online tools like Smallpdf, ILovePDF, or desktop software like Adobe Acrobat to compress PDF files without significant quality loss. Compression reduces the file size, making it easier to

share and download. Can I fill out forms in a PDF file? Yes, most PDF viewers/editors like Adobe Acrobat, Preview (on Mac), or various online tools allow you to fill out forms in PDF files by selecting text fields and entering information. Are there any restrictions when working with PDFs? Some PDFs might have restrictions set by their creator, such as password protection, editing restrictions, or print restrictions. Breaking these restrictions might require specific software or tools, which may or may not be legal depending on the circumstances and local laws.

Find Mack Mp8 Service Manual :

~~healthy oatmeal chocolate chip cookie recipe~~

~~health trainer elliptical users manual~~

healthy hot cocoa recipe

hbr guide to building your business case

[hcc govt 23exam 2](#)

haynes repair manual mazda tribute torrent

haynes repair manual or chilton

~~heart burn manipulator book 1~~

~~head to toe assessment guide~~

~~hbca test study guide~~

haynes vw caddy 1 manual

~~health of antarctic wildlife a challenge for science and policy~~

haynes sportster repair manual 2534

~~head first pmp 5th edition ht~~

headlight toyota avalon 98 diagram

Mack Mp8 Service Manual :

Progress in Mathematics: Work Book Grade 5 This workbook is part of the Progress in Mathematics Common Core Enriched Edition program. It has four section to help you master the work of each chapter. Progress in Mathematics Workbook Grade 5 Course this book is used in: Math 5: Homeschool- Option 1, Optional Online Progress in Mathematics provides rigorous content focused on building deep ... Progress in Mathematics Grade 5 Skills Update Review your skills with Lesson and. Practice pages. Math Minutes Race against the clock with timed activities! Practice Activities Practice makes ... Progress in

Mathematics, Grade 5 Student Workbook ... Progress in Mathematics, Grade 5 Student Workbook, 9780821582251, 0821582259 [Le Tourneau, Catherine D., Ford, Elinor R.] on Amazon.com. Grade 5, Program: Progress in Mathematics, Type Grade 5. Progress in Mathematics, Student Workbook. Grade 5. Critical Thinking for Active Math Minds, Student Workbook. Grade 5. Progress in Mathematics Grade 5 | PDF | Gallon Problem of the Day Tackle a new problem every day! Skills Update Review your skills with Lesson and. Practice pages. Math Minutes Race against the clock with ... Progress in Mathematics Workbook- Grade 5 Each lesson in the program has a corresponding page of practice in these consumable workbooks for all grades to reinforce lesson objectives. Grade 5, Program: Progress in Mathematics, User: Teacher Grade 5. Progress in Mathematics, Teacher's Edition of Student Workbook eBook, 1-year license. Grade 5. Progress in Mathematics, Teacher's Edition Online ... Progress in Mathematics, Grade 5 Student Workbook ... Progress in Mathematics, Grade 5 Student Workbook, 9780821582251, 0821582259 ... No markings. 172 pages, Paperback. First published June 30, 2006. Book details ... Glamour: Women, History,... by Dyhouse, Professor Carol The book explores historical contexts in which glamour served as an expression of desire in women and an assertion of entitlement to the pleasures of affluence, ... Glamour: Women, History, Feminism Apr 4, 2013 — The book explores historical contexts in which glamour served as an expression of desire in women and an assertion of entitlement to the ... Glamour: Women, History, Feminism Apr 27, 2010 — In this lavishly illustrated book, author Carol Dyhouse surveys the world of glamour from early Hollywood right up to Madonna. Glamour: Women, History, Feminism book by Carol Dyhouse Buy a cheap copy of Glamour: Women, History, Feminism book by Carol Dyhouse. How do we understand glamour? Has it empowered women or turned them into ... Glamour : women, history, feminism / Carol Dyhouse. Glamour: Women, History, Feminism explores the changing meanings of the word glamour, its relationship to femininity and fashion, and its place in twentieth- ... Glamour: Women, History, Feminism (Paperback) Glamour: Women, History, Feminism (Paperback) ; ISBN-10: 184813861X ; Publisher: Zed Books ; Publication Date: February 10th, 2011 ; Pages: 240 ; Language: English. Glamour: Women, History, Feminism Dyhouse disentangles some of the arguments surrounding femininity, appearance and power, directly addressing feminist concerns. The book explores historical ... Glamour: Women, History, Feminism Apr 4, 2013 — The book explores historical contexts in which glamour served as an expression of desire in women and an assertion of entitlement to the ... Glamour: women, history, feminism Jun 7, 2023 — The book explores historical contexts in which glamour served as an expression of desire in women and an assertion of entitlement to the ... Glamour: Women, History, Feminism Glamour: Women, History, Feminism. By Professor Carol Dyhouse. About this book. Published by Zed Books Ltd.. Copyright. Pages ... Flashcard California UST Service Technician part 1 - Quizlet Service tech is defined by any individual who? Test UST monitoring equipment. Trouble shoots UST systems. Installs UST monitoring equipment. California UST Service Technician part 1 Questions And ... Jan 11, 2023 — California UST Service Technician part 1 Questions And Answers. California UST service technician part 2

Flashcards - Quizlet Study with Quizlet and memorize flashcards containing terms like when an automatic tank gauge is utilized for singlewall Tank leak detection it shall ... California UST Service Technician part 1 Exam Questions and ... Jun 27, 2023 — California UST Service Technician part 1 Exam Questions and Answers (Latest Update 2023) (60 Questions, Verified Answers) California UST Professionals Exam References Aug 5, 2020 — California UST Professionals Exam References ... Please contact us if you have questions or problems with the UST "Training Plus" Requirements ... California UST Service Technician part 1 Exam Questions and ... Download California UST Service Technician part 1 Exam Questions and Answers (Latest Update 2023) (and more Exams Nursing in PDF only on Docsity! California UST Service Technician part 1 Exam Questions and ... Download California UST Service Technician part 1 Exam Questions and Answers (Latest Update 2023) (and more Nursing Exams in PDF only on Docsity! UT - CALIFORNIA UST SERVICE TECHNICIAN JOB TASK ... Scope of Practice of UST Service Technician (Task). 7%. Refer to California UST laws and regulations while working within the scope of a UST Service. Technician ... UT UT-California UST Service Technician - Issuu May 20, 2023 — Technician Practice Course ... A person preparing for the certification exam finds it quite challenging to go through the exam without using ... California Designated UST Operator Training (IC... In California, UST System Operators can only be certified after taking and passing the exam administered by the International Code Council (ICC) through ...