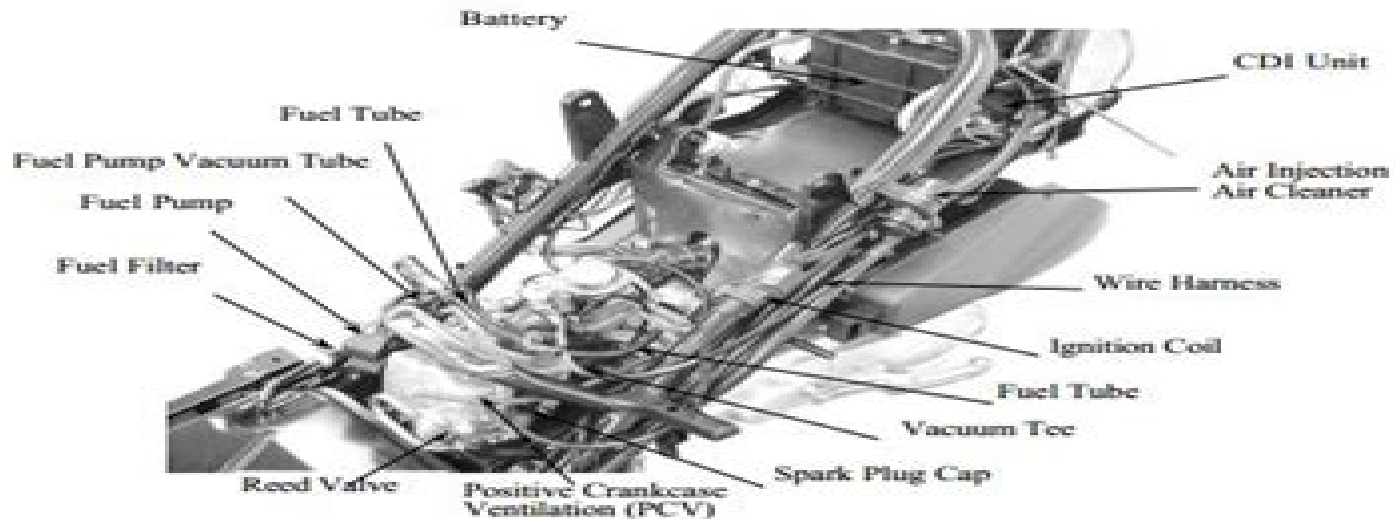
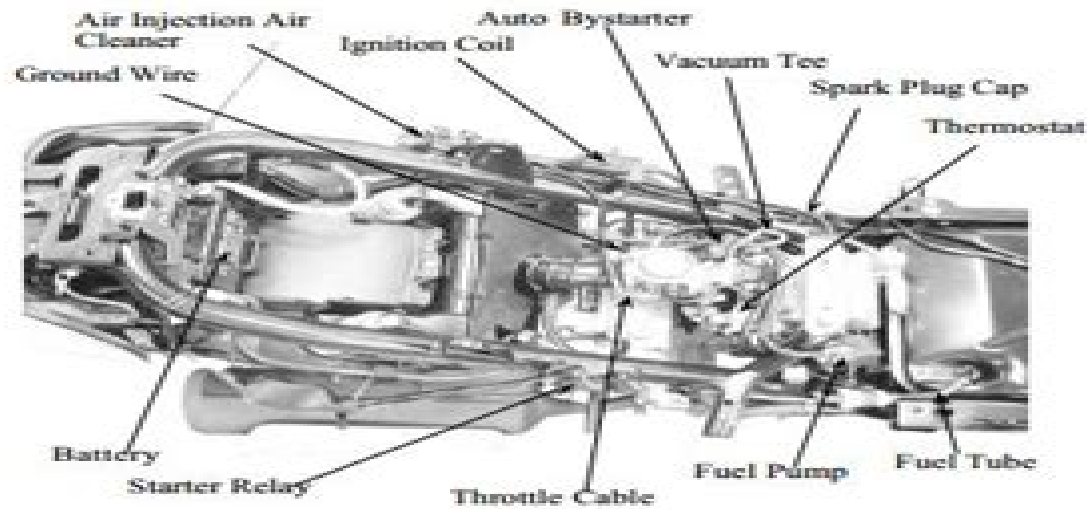


1. GENERAL INFORMATION



Kymco D 200 Workshop Service Manual Repair

A Gutmann



Kymco D 200 Workshop Service Manual Repair:

Kymco D 200 Workshop Service Manual Repair Book Review: Unveiling the Power of Words

In some sort of driven by information and connectivity, the power of words has be evident than ever. They have the capacity to inspire, provoke, and ignite change. Such may be the essence of the book **Kymco D 200 Workshop Service Manual Repair**, a literary masterpiece that delves deep in to the significance of words and their affect our lives. Written by a renowned author, this captivating work takes readers on a transformative journey, unraveling the secrets and potential behind every word. In this review, we shall explore the book is key themes, examine its writing style, and analyze its overall effect on readers.

https://staging.conocer.cide.edu/files/publication/fetch.php/Kandahar_Cockney.pdf

Table of Contents Kymco D 200 Workshop Service Manual Repair

1. Understanding the eBook Kymco D 200 Workshop Service Manual Repair
 - The Rise of Digital Reading Kymco D 200 Workshop Service Manual Repair
 - Advantages of eBooks Over Traditional Books
2. Identifying Kymco D 200 Workshop Service Manual Repair
 - Exploring Different Genres
 - Considering Fiction vs. Non-Fiction
 - Determining Your Reading Goals
3. Choosing the Right eBook Platform
 - Popular eBook Platforms
 - Features to Look for in an Kymco D 200 Workshop Service Manual Repair
 - User-Friendly Interface
4. Exploring eBook Recommendations from Kymco D 200 Workshop Service Manual Repair
 - Personalized Recommendations
 - Kymco D 200 Workshop Service Manual Repair User Reviews and Ratings
 - Kymco D 200 Workshop Service Manual Repair and Bestseller Lists

5. Accessing Kymco D 200 Workshop Service Manual Repair Free and Paid eBooks
 - Kymco D 200 Workshop Service Manual Repair Public Domain eBooks
 - Kymco D 200 Workshop Service Manual Repair eBook Subscription Services
 - Kymco D 200 Workshop Service Manual Repair Budget-Friendly Options
6. Navigating Kymco D 200 Workshop Service Manual Repair eBook Formats
 - ePub, PDF, MOBI, and More
 - Kymco D 200 Workshop Service Manual Repair Compatibility with Devices
 - Kymco D 200 Workshop Service Manual Repair Enhanced eBook Features
7. Enhancing Your Reading Experience
 - Adjustable Fonts and Text Sizes of Kymco D 200 Workshop Service Manual Repair
 - Highlighting and Note-Taking Kymco D 200 Workshop Service Manual Repair
 - Interactive Elements Kymco D 200 Workshop Service Manual Repair
8. Staying Engaged with Kymco D 200 Workshop Service Manual Repair
 - Joining Online Reading Communities
 - Participating in Virtual Book Clubs
 - Following Authors and Publishers Kymco D 200 Workshop Service Manual Repair
9. Balancing eBooks and Physical Books Kymco D 200 Workshop Service Manual Repair
 - Benefits of a Digital Library
 - Creating a Diverse Reading Collection Kymco D 200 Workshop Service Manual Repair
10. Overcoming Reading Challenges
 - Dealing with Digital Eye Strain
 - Minimizing Distractions
 - Managing Screen Time
11. Cultivating a Reading Routine Kymco D 200 Workshop Service Manual Repair
 - Setting Reading Goals Kymco D 200 Workshop Service Manual Repair
 - Carving Out Dedicated Reading Time
12. Sourcing Reliable Information of Kymco D 200 Workshop Service Manual Repair
 - Fact-Checking eBook Content of Kymco D 200 Workshop Service Manual Repair
 - Distinguishing Credible Sources
13. Promoting Lifelong Learning

- Utilizing eBooks for Skill Development
 - Exploring Educational eBooks
14. Embracing eBook Trends
- Integration of Multimedia Elements
 - Interactive and Gamified eBooks

Kymco D 200 Workshop Service Manual Repair Introduction

In today's digital age, the availability of Kymco D 200 Workshop Service Manual Repair books and manuals for download has revolutionized the way we access information. Gone are the days of physically flipping through pages and carrying heavy textbooks or manuals. With just a few clicks, we can now access a wealth of knowledge from the comfort of our own homes or on the go. This article will explore the advantages of Kymco D 200 Workshop Service Manual Repair books and manuals for download, along with some popular platforms that offer these resources. One of the significant advantages of Kymco D 200 Workshop Service Manual Repair books and manuals for download is the cost-saving aspect. Traditional books and manuals can be costly, especially if you need to purchase several of them for educational or professional purposes. By accessing Kymco D 200 Workshop Service Manual Repair versions, you eliminate the need to spend money on physical copies. This not only saves you money but also reduces the environmental impact associated with book production and transportation. Furthermore, Kymco D 200 Workshop Service Manual Repair books and manuals for download are incredibly convenient. With just a computer or smartphone and an internet connection, you can access a vast library of resources on any subject imaginable. Whether you're a student looking for textbooks, a professional seeking industry-specific manuals, or someone interested in self-improvement, these digital resources provide an efficient and accessible means of acquiring knowledge. Moreover, PDF books and manuals offer a range of benefits compared to other digital formats. PDF files are designed to retain their formatting regardless of the device used to open them. This ensures that the content appears exactly as intended by the author, with no loss of formatting or missing graphics. Additionally, PDF files can be easily annotated, bookmarked, and searched for specific terms, making them highly practical for studying or referencing. When it comes to accessing Kymco D 200 Workshop Service Manual Repair books and manuals, several platforms offer an extensive collection of resources. One such platform is Project Gutenberg, a nonprofit organization that provides over 60,000 free eBooks. These books are primarily in the public domain, meaning they can be freely distributed and downloaded. Project Gutenberg offers a wide range of classic literature, making it an excellent resource for literature enthusiasts. Another popular platform for Kymco D 200 Workshop Service Manual Repair books and manuals is Open Library. Open Library is an initiative of the Internet Archive, a non-profit organization dedicated to digitizing cultural artifacts and making them accessible to the public. Open

Library hosts millions of books, including both public domain works and contemporary titles. It also allows users to borrow digital copies of certain books for a limited period, similar to a library lending system. Additionally, many universities and educational institutions have their own digital libraries that provide free access to PDF books and manuals. These libraries often offer academic texts, research papers, and technical manuals, making them invaluable resources for students and researchers. Some notable examples include MIT OpenCourseWare, which offers free access to course materials from the Massachusetts Institute of Technology, and the Digital Public Library of America, which provides a vast collection of digitized books and historical documents. In conclusion, Kymco D 200 Workshop Service Manual Repair books and manuals for download have transformed the way we access information. They provide a cost-effective and convenient means of acquiring knowledge, offering the ability to access a vast library of resources at our fingertips. With platforms like Project Gutenberg, Open Library, and various digital libraries offered by educational institutions, we have access to an ever-expanding collection of books and manuals. Whether for educational, professional, or personal purposes, these digital resources serve as valuable tools for continuous learning and self-improvement. So why not take advantage of the vast world of Kymco D 200 Workshop Service Manual Repair books and manuals for download and embark on your journey of knowledge?

FAQs About Kymco D 200 Workshop Service Manual Repair Books

1. Where can I buy Kymco D 200 Workshop Service Manual Repair books? Bookstores: Physical bookstores like Barnes & Noble, Waterstones, and independent local stores. Online Retailers: Amazon, Book Depository, and various online bookstores offer a wide range of books in physical and digital formats.
2. What are the different book formats available? Hardcover: Sturdy and durable, usually more expensive. Paperback: Cheaper, lighter, and more portable than hardcovers. E-books: Digital books available for e-readers like Kindle or software like Apple Books, Kindle, and Google Play Books.
3. How do I choose a Kymco D 200 Workshop Service Manual Repair book to read? Genres: Consider the genre you enjoy (fiction, non-fiction, mystery, sci-fi, etc.). Recommendations: Ask friends, join book clubs, or explore online reviews and recommendations. Author: If you like a particular author, you might enjoy more of their work.
4. How do I take care of Kymco D 200 Workshop Service Manual Repair books? Storage: Keep them away from direct sunlight and in a dry environment. Handling: Avoid folding pages, use bookmarks, and handle them with clean hands. Cleaning: Gently dust the covers and pages occasionally.
5. Can I borrow books without buying them? Public Libraries: Local libraries offer a wide range of books for borrowing.

- Book Swaps: Community book exchanges or online platforms where people exchange books.
6. How can I track my reading progress or manage my book collection? Book Tracking Apps: Goodreads, LibraryThing, and Book Catalogue are popular apps for tracking your reading progress and managing book collections. Spreadsheets: You can create your own spreadsheet to track books read, ratings, and other details.
 7. What are Kymco D 200 Workshop Service Manual Repair audiobooks, and where can I find them? Audiobooks: Audio recordings of books, perfect for listening while commuting or multitasking. Platforms: Audible, LibriVox, and Google Play Books offer a wide selection of audiobooks.
 8. How do I support authors or the book industry? Buy Books: Purchase books from authors or independent bookstores. Reviews: Leave reviews on platforms like Goodreads or Amazon. Promotion: Share your favorite books on social media or recommend them to friends.
 9. Are there book clubs or reading communities I can join? Local Clubs: Check for local book clubs in libraries or community centers. Online Communities: Platforms like Goodreads have virtual book clubs and discussion groups.
 10. Can I read Kymco D 200 Workshop Service Manual Repair books for free? Public Domain Books: Many classic books are available for free as they're in the public domain. Free E-books: Some websites offer free e-books legally, like Project Gutenberg or Open Library.

Find Kymco D 200 Workshop Service Manual Repair :

kandahar cockney

[kaplan toefl cbt](#)

kalender rf d levande av is

[karen kain canadas prima ballerina](#)

kangaroos counting the cost

[karl marxs social and political thought critical assessment](#)

kaplan college catalog 1997

kachinas a native american craft kit

[kandinsky complete writings on art the documents of twentieth century art](#)

[kaspiiskaia neft i mezhnatsionalnye otnosheniia](#)

karate kata heian 1 tekki 1

k is for killer format audio

kabuki circle of blood

~~kansas in newspapers~~

~~kant&39;s introduction to logic~~

Kymco D 200 Workshop Service Manual Repair :

David German, Festive Trumpet Tune - Diane Bish Festive Trumpet Tune by David German | Hauptwerk | Palace ... Festive Trumpet Tune - David German Jul 27, 2021 — Download and print in PDF or MIDI free sheet music for Festive Trumpet Tune by David German arranged by jindra2005 for Organ (Solo) Festive Trumpet Tune - David German Festive Trumpet Tune: Madonna della Strada Weddings Festive Trumpet Tune David German. This majestic piece was written by the composer as a gift to his wife for their own wedding ceremony. Factory Service Manual Review Apr 29, 2020 — So I went to look for the Factory Service Manual (FSM) from FCA. Everything is digital now, and that's fine. However, I much prefer paper ... Jeep Car Repair Manuals A Haynes manual makes it EASY to service and repair your Jeep. Online, digital, PDF and print manuals for all popular models. Service Manuals Jeep Service Manuals from CollinsBros Jeep. Access comprehensive service manuals to assist in DIY repairs and maintenance. Wrangler Service Manual: Books 2002 JEEP WRANGLER Service Shop Repair Workshop Manual Set FACTORY W Body Diagn. by jeep. Paperback. STICKY - Jeep Wrangler TJ Factory Service Manuals (FSM ... Apr 9, 2017 — This post is for TJ documentation like Factory Service Manuals Etc.. A while back I was able to find the FSM for my 2006 TJ. Service & Repair Manuals for Jeep Wrangler Get the best deals on Service & Repair Manuals for Jeep Wrangler when you shop the largest online selection at eBay.com. Free shipping on many items ... Jeep OEM Factory Service Manuals - Quality Reproductions Find the right OEM Jeep service manual for your Jeep in The Motor Bookstore's Chevy manual store. Free Shipping, great service, ... Factory Service Manual Aug 23, 2021 — STICKY - Jeep Wrangler TJ Factory Service Manuals (FSM) & Technical Documentation. This post is for TJ documentation like Factory Service ... Jeep Vehicle Repair Manuals & Literature for sale Get the best deals on Jeep Vehicle Repair Manuals & Literature when you shop the largest online selection at eBay.com. Free shipping on many items | Browse ... Jeep Factory Service Manual link Oct 14, 2021 — The owners manual will give you a better focused approach to the basics. I thought you wanted a link to service manuals? FWIW, most modern ... Modern optics : solution manual | WorldCat.org Modern optics : solution manual ; Author: Robert D. Guenther ; Edition: View all formats and editions ; Publisher: J. Wiley, New York, ©1990. Introduction To Modern Optics Solution Manual | Chegg.com Select your edition Below. Textbook Solutions for Introduction to Modern Optics. by. 0 Editions. Author: Grant R Fowles. 0 solutions. Frequently asked questions. Manual Solution of Modern Optic | PDF | Laozi - Scribd Optics Letters, Volume 7 , , 1982, Optics, . . Introduction to Modern Optics , Grant R. Fowles, 1975, Science, 328 pages. This incisive text provides a ... Solution Manual Introduction to Modern Optics by Grant R ... Sep 20, 2014 — Posts

about download Solution Manual Introduction to Modern Optics by Grant R. Fowles written by physicsbookblog. Fowles Optics Solutions Manual Full PDF Fowles Optics Solutions Manual. 1. Fowles Optics Solutions Manual. Fowles Optics Solutions. Manual. Downloaded from uploader.tsawq.net by. Optics: Solutions Manual by Moller, K. D. - Amazon.com Optics: Solutions Manual ; Print length. 237 pages ; Language. English ; Publisher. University Science Books ; Dimensions. 6.25 x 0.5 x 9.25 inches ; ISBN-10. Analytical Mechanics 6th Ed. by Fowles & Cassiday Dec 19, 2011 — This is the book I used for classical mechanics in College. I'm looking through it again, trying to study and really deeply learn the things ... Instructor's Solution Manual: Optics, 4th Edition - Amazon Book details ; Print length. 102 pages ; Language. English ; Publisher. Pearson ; ISBN-10. 0805385789 ; ISBN-13. 978-0805385786. Introduction to Modern Optics, (Second Edition) - PDF Free ... Fowles Second Edition INTRODUCTION TO MODERN OPTICS Grant R. Fowles Second ... The particular solution given by Equation (1.19) is fundamental to the study of ...