

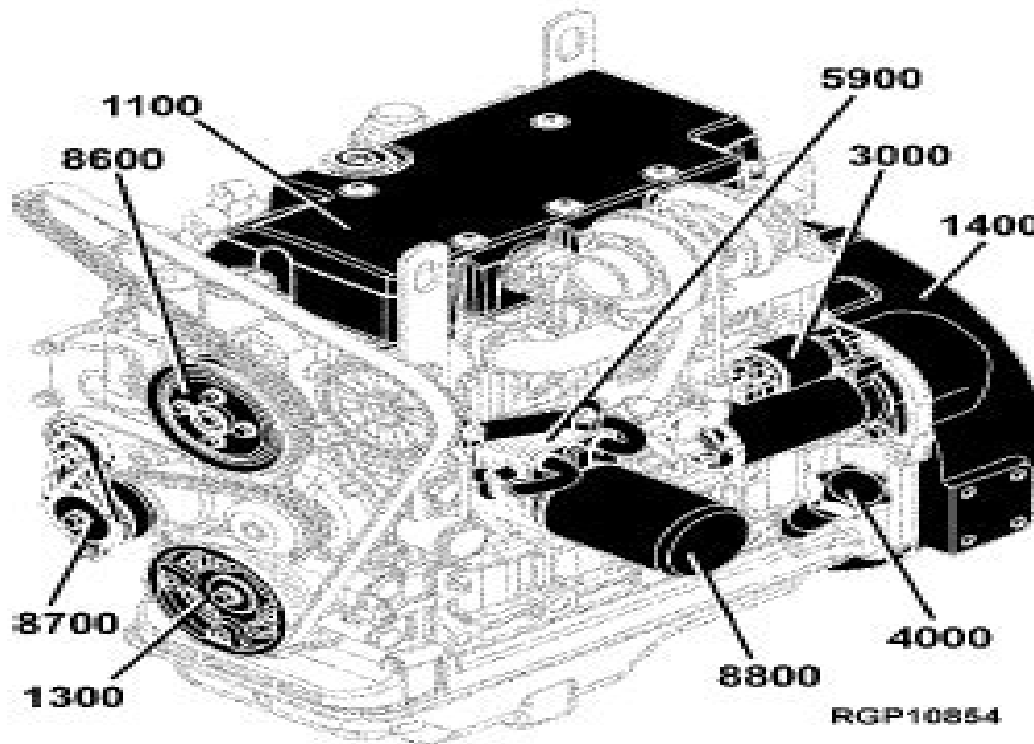
1B5

MOTOR

SECTIONAL INDEX
INDEX DE SECCION
INDICA DE SECCION

RGP10854

-LRI-01SER04



RGP10854

1104	-	1811
1200	-	1812
1300	-	1813
1400	-	1814
1500	-	1815
1600	-	1816
1641	-	1818
1700	-	1820
1800	-	1821
1900	-	1822
2000	-	1823
2200	-	1824
2300	-	1825
2804	-	1C1
2808	-	1C2
2900	-	1C3
3000	-	1C4
3500	-	1C5
3700	-	1C6
4004	-	1C7
4300	-	1C8
4400	-	1C9
4500	-	1C11
4600	-	1C12
4700	-	1C14
4800	-	1C15
4900	-	1C17
5000	-	1C18
5100	-	1C20
5204	-	1C23
5300	-	1C25
5500	-	1D3
5700	-	1D4
7200	-	1D5
8700	-	1D6
8800	-	1D7
9800	-	1D8
9900	-	1D9
9901	-	1D10
9902	-	1D12

John Deere 317 Skid Steer Service Manual

N Noddings



John Deere 317 Skid Steer Service Manual:

Prairie Farmer ,1985 **Union Agriculturist and Western Prairie Farmer** ,1992-05 Public Works Manual ,1995
Farmers and Consumers Market Bulletin ,2011 **The Logger and Lumberman Magazine** ,1989 *Tree Care*
Industry ,1995 **Subject Guide to Books in Print** ,1971 **John Deere 318 Lawn and Garden Tractor Technical**
Service Repair Manual ,1991-05-15 **John Deere 310B Backhoe Loader Tractor Technical Service Repair Manual**
,1982-12-15 **John Deere 310A Backhoe Loader Tractor Technical Service Repair Manual** ,1982-12-15 John
Deere 3155 Tractor Technical Service Repair Manual ,1991-12-15 *John Deere 755 756 Compact Utility Tractor Technical*
Service Repair Manual ,1996-06-15 **John Deere 720 Diesel Tractor Technical Service Repair Manual** ,1957-12-15
 John Deere 770 Compact Utility Tractor Technical Service Repair Manual ,1999-03-15 John Deere 2955
Tractor Technical Service Repair Manual ,1991-12-15 **John Deere 855 856 Compact Utility Tractor Technical**
Service Repair Manual ,1996-06-15 **John Deere 316 Lawn and Garden Tractor Technical Service Repair Manual**
,1991-05-15 **John Deere 3255 Tractor Technical Service Repair Manual** ,1991-12-15 **John Deere 350C and**
355D Crawler Loader Technical Service Repair Manual ,1986-11-15 John Deere Tractors 4000 Series Deere &
Company,1963

Thank you for downloading **John Deere 317 Skid Steer Service Manual**. As you may know, people have look numerous times for their favorite readings like this John Deere 317 Skid Steer Service Manual, but end up in harmful downloads. Rather than reading a good book with a cup of tea in the afternoon, instead they are facing with some malicious bugs inside their desktop computer.

John Deere 317 Skid Steer Service Manual is available in our book collection an online access to it is set as public so you can get it instantly.

Our digital library hosts in multiple countries, allowing you to get the most less latency time to download any of our books like this one.

Kindly say, the John Deere 317 Skid Steer Service Manual is universally compatible with any devices to read

https://staging.conocer.cide.edu/results/Resources/Download_PDFS/Greene_County_Tennessee_Wills_1783_1890.pdf

Table of Contents John Deere 317 Skid Steer Service Manual

1. Understanding the eBook John Deere 317 Skid Steer Service Manual
 - The Rise of Digital Reading John Deere 317 Skid Steer Service Manual
 - Advantages of eBooks Over Traditional Books
2. Identifying John Deere 317 Skid Steer Service Manual
 - Exploring Different Genres
 - Considering Fiction vs. Non-Fiction
 - Determining Your Reading Goals
3. Choosing the Right eBook Platform
 - Popular eBook Platforms
 - Features to Look for in an John Deere 317 Skid Steer Service Manual
 - User-Friendly Interface
4. Exploring eBook Recommendations from John Deere 317 Skid Steer Service Manual
 - Personalized Recommendations

- John Deere 317 Skid Steer Service Manual User Reviews and Ratings
- John Deere 317 Skid Steer Service Manual and Bestseller Lists
- 5. Accessing John Deere 317 Skid Steer Service Manual Free and Paid eBooks
 - John Deere 317 Skid Steer Service Manual Public Domain eBooks
 - John Deere 317 Skid Steer Service Manual eBook Subscription Services
 - John Deere 317 Skid Steer Service Manual Budget-Friendly Options
- 6. Navigating John Deere 317 Skid Steer Service Manual eBook Formats
 - ePub, PDF, MOBI, and More
 - John Deere 317 Skid Steer Service Manual Compatibility with Devices
 - John Deere 317 Skid Steer Service Manual Enhanced eBook Features
- 7. Enhancing Your Reading Experience
 - Adjustable Fonts and Text Sizes of John Deere 317 Skid Steer Service Manual
 - Highlighting and Note-Taking John Deere 317 Skid Steer Service Manual
 - Interactive Elements John Deere 317 Skid Steer Service Manual
- 8. Staying Engaged with John Deere 317 Skid Steer Service Manual
 - Joining Online Reading Communities
 - Participating in Virtual Book Clubs
 - Following Authors and Publishers John Deere 317 Skid Steer Service Manual
- 9. Balancing eBooks and Physical Books John Deere 317 Skid Steer Service Manual
 - Benefits of a Digital Library
 - Creating a Diverse Reading Collection John Deere 317 Skid Steer Service Manual
- 10. Overcoming Reading Challenges
 - Dealing with Digital Eye Strain
 - Minimizing Distractions
 - Managing Screen Time
- 11. Cultivating a Reading Routine John Deere 317 Skid Steer Service Manual
 - Setting Reading Goals John Deere 317 Skid Steer Service Manual
 - Carving Out Dedicated Reading Time
- 12. Sourcing Reliable Information of John Deere 317 Skid Steer Service Manual
 - Fact-Checking eBook Content of John Deere 317 Skid Steer Service Manual

- Distinguishing Credible Sources
- 13. Promoting Lifelong Learning
 - Utilizing eBooks for Skill Development
 - Exploring Educational eBooks
- 14. Embracing eBook Trends
 - Integration of Multimedia Elements
 - Interactive and Gamified eBooks

John Deere 317 Skid Steer Service Manual Introduction

In the digital age, access to information has become easier than ever before. The ability to download John Deere 317 Skid Steer Service Manual has revolutionized the way we consume written content. Whether you are a student looking for course material, an avid reader searching for your next favorite book, or a professional seeking research papers, the option to download John Deere 317 Skid Steer Service Manual has opened up a world of possibilities. Downloading John Deere 317 Skid Steer Service Manual provides numerous advantages over physical copies of books and documents. Firstly, it is incredibly convenient. Gone are the days of carrying around heavy textbooks or bulky folders filled with papers. With the click of a button, you can gain immediate access to valuable resources on any device. This convenience allows for efficient studying, researching, and reading on the go. Moreover, the cost-effective nature of downloading John Deere 317 Skid Steer Service Manual has democratized knowledge. Traditional books and academic journals can be expensive, making it difficult for individuals with limited financial resources to access information. By offering free PDF downloads, publishers and authors are enabling a wider audience to benefit from their work. This inclusivity promotes equal opportunities for learning and personal growth. There are numerous websites and platforms where individuals can download John Deere 317 Skid Steer Service Manual. These websites range from academic databases offering research papers and journals to online libraries with an expansive collection of books from various genres. Many authors and publishers also upload their work to specific websites, granting readers access to their content without any charge. These platforms not only provide access to existing literature but also serve as an excellent platform for undiscovered authors to share their work with the world. However, it is essential to be cautious while downloading John Deere 317 Skid Steer Service Manual. Some websites may offer pirated or illegally obtained copies of copyrighted material. Engaging in such activities not only violates copyright laws but also undermines the efforts of authors, publishers, and researchers. To ensure ethical downloading, it is advisable to utilize reputable websites that prioritize the legal distribution of content. When downloading John Deere 317 Skid Steer Service Manual, users should also consider the potential security risks associated with online platforms. Malicious actors may exploit

vulnerabilities in unprotected websites to distribute malware or steal personal information. To protect themselves, individuals should ensure their devices have reliable antivirus software installed and validate the legitimacy of the websites they are downloading from. In conclusion, the ability to download John Deere 317 Skid Steer Service Manual has transformed the way we access information. With the convenience, cost-effectiveness, and accessibility it offers, free PDF downloads have become a popular choice for students, researchers, and book lovers worldwide. However, it is crucial to engage in ethical downloading practices and prioritize personal security when utilizing online platforms. By doing so, individuals can make the most of the vast array of free PDF resources available and embark on a journey of continuous learning and intellectual growth.

FAQs About John Deere 317 Skid Steer Service Manual Books

1. Where can I buy John Deere 317 Skid Steer Service Manual books? Bookstores: Physical bookstores like Barnes & Noble, Waterstones, and independent local stores. Online Retailers: Amazon, Book Depository, and various online bookstores offer a wide range of books in physical and digital formats.
2. What are the different book formats available? Hardcover: Sturdy and durable, usually more expensive. Paperback: Cheaper, lighter, and more portable than hardcovers. E-books: Digital books available for e-readers like Kindle or software like Apple Books, Kindle, and Google Play Books.
3. How do I choose a John Deere 317 Skid Steer Service Manual book to read? Genres: Consider the genre you enjoy (fiction, non-fiction, mystery, sci-fi, etc.). Recommendations: Ask friends, join book clubs, or explore online reviews and recommendations. Author: If you like a particular author, you might enjoy more of their work.
4. How do I take care of John Deere 317 Skid Steer Service Manual books? Storage: Keep them away from direct sunlight and in a dry environment. Handling: Avoid folding pages, use bookmarks, and handle them with clean hands. Cleaning: Gently dust the covers and pages occasionally.
5. Can I borrow books without buying them? Public Libraries: Local libraries offer a wide range of books for borrowing. Book Swaps: Community book exchanges or online platforms where people exchange books.
6. How can I track my reading progress or manage my book collection? Book Tracking Apps: Goodreads, LibraryThing, and Book Catalogue are popular apps for tracking your reading progress and managing book collections. Spreadsheets: You can create your own spreadsheet to track books read, ratings, and other details.
7. What are John Deere 317 Skid Steer Service Manual audiobooks, and where can I find them? Audiobooks: Audio

recordings of books, perfect for listening while commuting or multitasking. Platforms: Audible, LibriVox, and Google Play Books offer a wide selection of audiobooks.

8. How do I support authors or the book industry? Buy Books: Purchase books from authors or independent bookstores. Reviews: Leave reviews on platforms like Goodreads or Amazon. Promotion: Share your favorite books on social media or recommend them to friends.
9. Are there book clubs or reading communities I can join? Local Clubs: Check for local book clubs in libraries or community centers. Online Communities: Platforms like Goodreads have virtual book clubs and discussion groups.
10. Can I read John Deere 317 Skid Steer Service Manual books for free? Public Domain Books: Many classic books are available for free as they're in the public domain. Free E-books: Some websites offer free e-books legally, like Project Gutenberg or Open Library.

Find John Deere 317 Skid Steer Service Manual :

greene county tennessee wills 1783 1890

greatheart dodo press

greek skepticism; a study in epistemology.

green seacoast

gregory of nazianzus rhetor and philosopher

green odyssey

greatness engendered

greetings from old kentucky

~~greek genius its meaning to us~~

green grows the city

~~griechische kuche traditional recipes~~

green age

great working horse stories 2xcd

greatest golden age stories ever told

green byways garden discoveries in the great lakes states

John Deere 317 Skid Steer Service Manual :

prince of the blood by raymond feist read by peter joyce - Apr 27 2022

web twins borric and erland wore that mantle proudly much to the chagrin of their father prince arutha of krondor but their blissful youth has come to an end their uncle the king has produced no male children bypassing himself arutha names borric the eldest twin by seconds the royal heir

prince of the blood kindle edition amazon com au - Oct 02 2022

web prince borric condoin and his twin brother erland have been summoned back to their father s court in krondor prince arutha has decided he needs to tame his spirited progeny and teach them statecraft and responsibility shortly after they arrive home therefore he orders them to kesh to represent the isles at the empress seventy fifth jubilee

prince of the blood novel wikipedia - Oct 14 2023

web prince of the blood is a fantasy novel by american writer raymond e feist it is the first book of the krondor s sons series and was published in 1989 it was later followed by the king s buccaneer in 1992

prince of the blood raymond e feist free download borrow - Sep 01 2022

web jul 8 2022 prince of the blood by raymond e feist publication date 1989 publisher doubleday collection printdisabled internetarchivebooks

prince of the blood by raymond e feist 9780553588118 - Aug 12 2023

web prince of the blood by raymond e feist 9780553588118 penguinrandomhouse com books prince of the blood is a work that explores strength and weakness hope and fear and what it means to be a man in a kingdom where peace is the

prince of the blood feist raymond e free download borrow - Jul 31 2022

web prince of the blood feist raymond e free download borrow and streaming internet archive

prince of the blood riftwar cycle krondor s sons book 1 - Feb 23 2022

web dec 18 2007 prince of the blood riftwar cycle krondor s sons book 1 kindle edition by feist raymond e download it once and read it on your kindle device pc phones or tablets use features like bookmarks note taking and highlighting while reading prince of the blood riftwar cycle krondor s sons book 1

prince of the blood paperback 5 mar 2009 amazon co uk - Jun 29 2022

web a newly revised edition of raymond e feist s continuation of his classic riftwar series set twenty years after the events of the riftwar prince of the blood follows the adventures of prince arutha s sons in the dangerously unstable great empire of kesh

prince of the blood krondor s sons 1 by raymond e feist goodreads - Sep 13 2023

web jul 28 1989 raymond e feist 4 01 25 184 ratings363 reviews prince of the blood is a work that explores strength and

weakness hope and fear and what it means to be a man in a kingdom where peace is the most precious commodity of all if there were two more impetuous and carefree men in the kingdom of the isles they had yet to be found

prince of the blood raymond e feist google books - May 09 2023

web this author s preferred edition of raymond e feist s bestselling coming of age saga celebrates the fifteenth anniversary of its publication feist introduces a new generation of readers to his

prince of the blood krondor s sons series 1 by raymond e - Jan 05 2023

web feb 28 2005 overview prince of the blood is a work that explores strength and weakness hope and fear and what it means to be a man in a kingdom where peace is the most precious commodity of all if there were two more impetuous and carefree men in the kingdom of the isles they had yet to be found

prince of the blood raymond e feist 9780007176168 - Dec 04 2022

web jan 1 2004 set twenty years after the events in the riftwar saga prince of the blood follows the adventures that erupt when a group of powerful nobles attempt to overthrow the empress of kesh bitterly dividing the court in the centre of the conflict are the two princes of krondor borric and erland

prince of the blood feist raymond e author archive org - Mar 27 2022

web set twenty years after the events in the riftwar saga prince of the blood follows the adventures that erupt when a group of powerful nobles attempt to overthrow the empress of kesh bitterly dividing the court in the centre of the conflict are the two princes of krondor borric and erland

prince of the blood 15th anniversary edition feist raymond e - Mar 07 2023

web jun 28 2005 prince of the blood is a work that explores strength and weakness hope and fear and what it means to be a man in a kingdom where peace is the most precious commodity of all if there were two more impetuous and carefree men in the kingdom of the isles they had yet to be found twins borric and erland wore that mantle proudly much

prince of the blood raymond e feist google books - Jun 10 2023

web this author s preferred edition of raymond e feist s bestselling coming of age saga celebrates the fifteenth anniversary of its publication feist introduces a new generation of readers to his

prince of the blood by raymond e feist audiobook audible com - May 29 2022

web faerie tale by raymond e feist the dragonbone chair by tad williams nolyn by michael j sullivan publisher s summary prince of the blood is a work that explores strength and weakness hope and fear and what it means to be a man in a kingdom where peace is the most precious commodity of all

prince of the blood feist raymond e amazon com au books - Nov 03 2022

web while somewhat of a side story to the main sequence of feist s midkemia based books prince of the blood is nonetheless a

great book full of all the things that keep readers coming back to feist time and again

[prince of the blood the official raymond e feist website](#) - Jul 11 2023

web prince of the blood book title set twenty years after the events so brilliantly told in his riftwar saga prince of the blood follows the intrigues and adventures that erupt when a group of powerful nobles attempt to overthrow the empress of kesh ending her bloodline and bitterly dividing the court

prince of the blood raymond e feist google books - Apr 08 2023

web sep 13 2012 7 reviews reviews aren t verified but google checks for and removes fake content when it s identified the whole of the magnificent riftwar cycle by bestselling author raymond e feist master of

[prince of the blood 1 feist raymond e amazon sg books](#) - Feb 06 2023

web hello sign in account lists returns orders cart

[partition cd a l accordeon chromatique m berthoumieux by m](#) - Jan 17 2022

web jun 7 2023 partition cd a l accordeon chromatique m berthoumieux by m berthoumieux that can be your partner

download the partition cd a l accordeon

[free partition cd a l accordeon chromatique m berthoum](#) - Feb 27 2023

web partition cd a l accordeon chromatique m berthoum jahrbuch der musikbibliothek peters feb 25 2021 each volume includes a necrology and a bibliography of works

free partition cd a l accordeon chromatique m berthoum - Nov 26 2022

web partition cd a l accordeon chromatique m berthoum asm handbook dec 20 2021 rock sep 04 2020 a selection of rock albums from the 50 s to the 90 s that packs the

partition cd a l accordeon chromatique m berthoum 2022 - Feb 15 2022

web 2 partition cd a l accordeon chromatique m berthoum 2023 05 14 popular music ever written and will have gained a good understanding of basic musical concepts and styles

partitions la malle aux accordéons - Jul 23 2022

web livre de partitions et cd pour accordéon chromatique genre classique média partition cd nombre de pages 23 date de parution 07 11 2000

partition cd a l accordeon chromatique m berthoum - Dec 16 2021

web aug 14 2023 partition cd a l accordeon chromatique m berthoum 2 8 downloaded from uniport edu ng on august 14 2023 by guest the legacy of indigenous music yu

partition cd a l accordeon chromatique m berthoum download - Jul 03 2023

web the beatles for accordion nonnegative matrix and tensor factorizations partition cd a l accordeon chromatique m

berthoum downloaded from customizer monos com by

[partition cd a l accordeon chromatique m berthoum download](#) - May 21 2022

web partition cd a l accordeon chromatique m berthoum 3 3 publishing a collection of essays on a wide range of aspects of the roma communities cultures social and

partitions gratuites pour accordéon - Jan 29 2023

web toutes ces partitions pour accordéon ainsi que les fichiers midi et mp3 associés sont téléchargeables gratuitement page 1 page 2 page 3 partitions 1 à 25 sur 51 titre

[partition cd a l accordeon chromatique m berthoum copy](#) - Mar 19 2022

web mar 9 2023 books considering this one merely said the partition cd a l accordeon chromatique m berthoum is universally compatible later any devices to read palmer

partition cd a l accordeon chromatique m berthoum rob - Mar 31 2023

web getting the books partition cd a l accordeon chromatique m berthoum now is not type of inspiring means you could not abandoned going taking into account book stock or

[partition cd a l accordeon chromatique m berthoum](#) - Oct 06 2023

web partition cd a l accordeon chromatique m berthoum 1 downloaded from nysm pfi org on 2019 12 19 by guest partition cd a l accordeon chromatique m berthoum as

[partition cd a l accordeon chromatique m berthoum](#) - Sep 05 2023

web partition cd a l accordeon chromatique m berthoum downloaded from ai classmonitor com by guest mack brody the namesake john wiley sons the

partition cd a l accordeon chromatique m berthoum - Nov 14 2021

web online broadcast partition cd a l accordeon chromatique m berthoum can be one of the options to accompany you next having other time it will not waste your time allow me

partition cd a l accordeon chromatique m berthoum pdf - Oct 26 2022

web 4 partition cd a l accordeon chromatique m berthoum 2022 11 15 supplement and bibliography dave mallinson publications vols for 1970 71 includes

[free pdf download partition cd a l accordeon chromatique m](#) - Jun 02 2023

web partition cd a l accordeon chromatique m berthoum la délivrance de l accordéon mar 28 2020 Ô ciel très gris où s'affaissent des chimères qu'en est-il des ennuis

[partition cd a l accordeon chromatique m berthoum dotnbm](#) - May 01 2023

web partition cd a l accordeon chromatique m berthoum downloaded from dotnbm com by guest ewing ellison french tangos

for accordion hal leonard corporation

partition cd a l accordeon chromatique m berthoum - Jun 21 2022

web may 22 2023 as this partition cd a l accordeon chromatique m berthoum it ends occurring being one of the favored ebook partition cd a l accordeon chromatique m

partition cd a l accordeon chromatique m berthoum pdf - Aug 24 2022

web aug 13 2023 partition cd a l accordeon chromatique m berthoum 1 10 downloaded from uniport edu ng on august 13 2023 by guest partition cd a l accordeon

partitions interactives pour accordéon tomplay - Sep 24 2022

web parcourez toutes les partitions pour accordéon une large sélection de partitions classiques pop rock jazz et de musiques de film pour accordéon avec des pistes

partition cd a l accordeon chromatique m berthoum pdf - Aug 04 2023

web partition cd a l accordeon chromatique m berthoum easy pop songs for accordion sep 13 2021 accordion learn to play 20 timeless contemporary songs on accordion

partition cd a l accordeon chromatique m berthoum - Dec 28 2022

web partition cd a l accordeon chromatique m berthoum gazette apicole de france sep 18 2020 vienne la nuit sonne l heure sep 30 2021 music may 07 2022 les meilleurs

amazon fr partition pour accordéon - Apr 19 2022

web accordion trip band 1 39 chansons et danses d europe pour 1 à 2 accordéons partitions d accordéon avec 2 cd et pince à partitions colorée en forme de cœur

heilpflanzen und ihre giftigen doppelgänger heilpflanzen - Jul 25 2022

web heilpflanzen und ihre giftigen doppelgänger heilpflanzen sammeln aber richtig by ursula stumpf wolfgang lang heilpflanzen und ihre tigen doppelgänger buch may 21st 2020 magnolia time 4 books and more 06 10 2019 schon seit einiger zeit interessiere ich mich für heilpflanzen allerdings schwingt bei mir immer die se mit das ich mich an die

heilpflanzen und ihre giftigen doppelgänger heilpflanzen - Jun 04 2023

web heilpflanzen und ihre giftigen doppelgänger heilpflanzen sammeln aber richtig stumpf ursula isbn 9783440136911 kostenloser versand für alle bücher mit versand und verkauf duch amazon

heilpflanzen und ihre giftigen doppelgänger thalia at - Apr 02 2023

web denn oft teilen sich heilkräuter und ihre giftigen doppelgänger denselben lebensraum und es wäre tödlich beispielsweise die begehrte engelwurz mit dem giftigen schierling zu verwechseln dieser führer stellt 90 heilpflanzen und

heilpflanzen und ihre giftigen doppelgänger jetzt online kaufen bei - Nov 28 2022

web denn oft teilen sich heilkräuter und ihre giftigen doppelgänger denselben lebensraum und es wäre tödlich beispielsweise die begehrte engelwurz mit dem giftigen schierling zu verwechseln dieser führer stellt 90 heilpflanzen und *heilpflanzen und ihre giftigen doppelgänger weltbild* - Dec 30 2022

web denn oft teilen sich heilkräuter und ihre giftigen doppelgänger denselben lebensraum und es wäre tödlich beispielsweise die begehrte engelwurz mit dem giftigen schierling zu verwechseln dieser führer stellt 90 heilpflanzen und **heilpflanzen und ihre giftigen doppelgänger kosmos de** - Sep 07 2023

web denn oft teilen sich heilkräuter und ihre giftigen doppelgänger denselben lebensraum und es wäre tödlich beispielsweise die begehrte engelwurz mit dem giftigen schierling zu verwechseln dieser führer stellt 90 heilpflanzen und **heilpflanzen und ihre giftigen doppelgänger heilpflanzen** - Feb 17 2022

web aug 14 2023 heilpflanzen und ihre giftigen doppelgänger heilpflanzen sammeln aber richtig mermaidkathi allgemein hallo ihr lieben ihr wisst ja bereits dass ich naturführer total toll als biologin eigentlich schon fast pflicht oder dabei muss ich gestehen dass ich mich im tierbereich deutlich besser auskenne als bei pflanzen

heil oder giftpflanzen botanischer garten - Oct 28 2022

web manch mal können aber auch heilmittel aus harmloseren pflanzen krank statt gesund machen wenn die verwendeten bestandteile mit herbiziden oder krankheits erregern verunreinigt sind zum beispiel in kamillentee eine ganze reihe von heilpflanzen sind gleichzeitig gefährliche giftpflanzen z b eisenhut fingerhut tollkirsche bilsenkraut *heilpflanzen und ihre giftigen doppelgänger heilp* - May 23 2022

web heilpflanzen und ihre giftigen doppelgänger heilp downloaded from stage gapinc com by guest hernandez haley effects of herbal supplements on clinical laboratory test results walter de gruyter while many experts point to the enormous complexity in addressing issues ranging from the

heilpflanzen und ihre giftigen doppelgänger gesundheit com - Sep 26 2022

web denn oft teilen sich heilkräuter und ihre giftigen doppelgänger denselben lebensraum und es wäre tödlich beispielsweise die begehrte engelwurz mit dem giftigen schierling zu verwechseln dieser führer stellt 90 heilpflanzen und heilpflanzen und ihre giftigen doppelgänger kräuterweisheiten - Aug 26 2022

web aug 13 2023 ein handlicher und kompetenter naturführer für alle die die heilkraft der natur nutzen wollen es passt beim spaziergang leicht in die hosen oder jackentasche und hilft dabei heilpflanzen und essbare pflanzen von ungenießbaren oder gar giftigen doppelgängern sicher zu unterscheiden

heilpflanzen und ihre giftigen doppelgänger heilpflanzen - Aug 06 2023

web jun 13 2023 heilpflanzen und ihre tigen doppelgänger von dr 200 heilpflanzen und ihre heilwirkung phytodoc besonders einsteiger brauchen für das sammeln von heilpflanzen eine sichere bestimmungshilfe denn oft teilen sich

heilkräuter und ihre giftigen doppelgänger denselben lebensraum und es wäre

heilpflanzen und ihre giftigen doppelgänger heilpflanzen - Jan 31 2023

web heilpflanzen und ihre giftigen doppelgänger heilpflanzen sammeln aber richtig arten im direkten vergleich 90

heilpflanzen und 60 unwirksame und giftige doppelgänger ebook stumpf ursula amazon de kindle shop

heilpflanzen und ihre giftigen doppelgänger heilpflanzen - May 03 2023

web heilpflanzen und ihre giftigen doppelgänger heilpflanzen sammeln aber richtig stumpf ursula lang wolfgang isbn

9783440162132 kostenloser versand für alle bücher mit versand und verkauf durch amazon

heilpflanzen und ihre giftigen doppelgänger heilpflanzen - Oct 08 2023

web heilpflanzen und ihre giftigen doppelgänger heilpflanzen sammeln aber richtig by ursula stumpf wolfgang lang

bestimmungshilfe denn oft teilen sich heilkräuter und ihre giftigen doppelgänger denselben

heilpflanzen und ihre giftigen doppelgänger heilpflanzen - Mar 01 2023

web auf unserer webseite werden neben den technisch erforderlichen cookies noch cookies zur statistischen auswertung

gesetzt sie können die website auch ohne diese cookies nutzen

heilpflanzen und ihre giftigen doppelgänger heilpflanzen - Jul 05 2023

web heilpflanzen und ihre giftigen doppelgänger heilpflanzen sammeln aber richtig arten im direkten vergleich 90

heilpflanzen und 60 unwirksame und giftige doppelgänger stumpf ursula lang wolfgang golte bechtle marianne amazon de

bücher bücher

heilpflanzen und ihre giftigen doppelgänger heil mercury press - Mar 21 2022

web heilpflanzen und ihre giftigen doppelgänger ursula stumpf 2023 03 17 besonders einsteiger brauchen für das sammeln

von heilpflanzen eine sichere bestimmungshilfe denn oft teilen sich heilkräuter und ihre giftigen doppelgänger denselben

lebensraum und es wäre tödlich beispielsweise die begehrte engelwurz mit dem

heilpflanzen und ihre giftigen doppelgänger vub de - Apr 21 2022

web literaturbeschaffung wissen mit system aus einer hand 175 jahre vub umlaufverwaltung digitalisieren mit dem vub

paperboy mwst absenkung und abo berechnung im 2

die unterschiede von heil und giftpflanzen zentrum der - Jun 23 2022

web apr 18 2023 ja kommentare wie giftpflanzen zu heilpflanzen werden viele giftpflanzen können durchaus respekt

einflössend sein schliesslich sind sie oft schon in kleinsten mengen tödlich in der homöopathie und auch teilweise in der

schulmedizin spielen sie jedoch wegen ihrer oftmals eindrucksvollen heilwirkungen eine wichtige rolle