

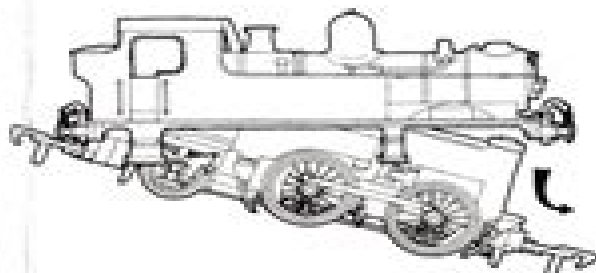
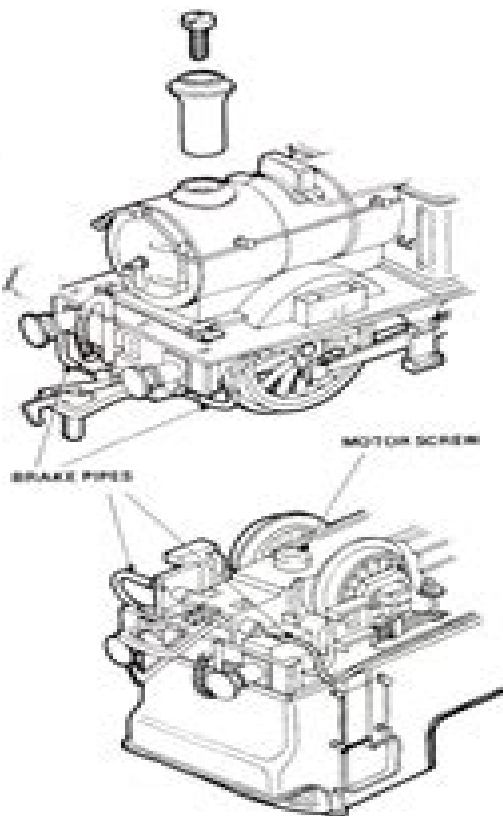
Maintenance instructions for your 0-4-2 Tank

Your locomotive and its electric motor is a precision-built item. Treated with reasonable care it will work well for many years. To ensure this happens, give your train a general clean up and lubricate it periodically and no further maintenance should be required for a long time.

CLEANING

Remove screw from chimney and pull ends of brake pipes out of their locating holes. Then loosen motor screw one turn and pull chassis down and forward to release it from the body shell.

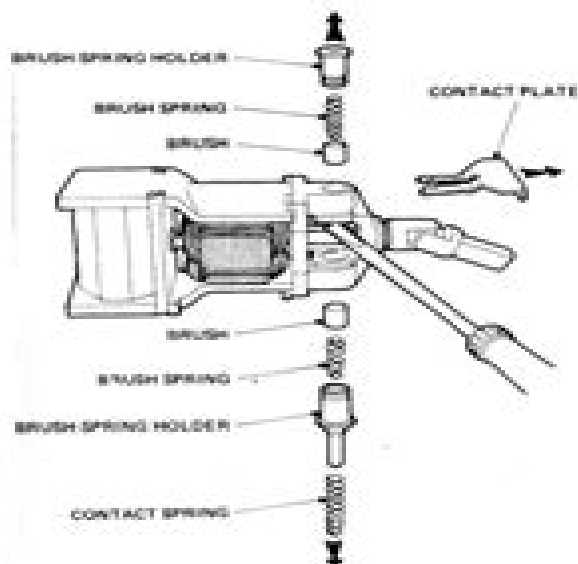
Using fine tweezers, with great care remove any fluff and fibres you may find in the mechanism.



CHANGING THE BRUSHES

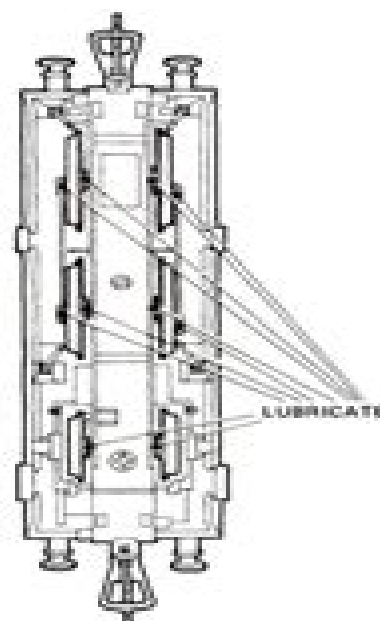
Remove motor screw from chassis and the motor will now be loose. Pull the contact plate from the location thereby enabling the brush spring holder to be withdrawn. Carefully prise the two holders free of the motor, taking care not to damage the components, or lose any of the small springs etc. The brushes can now be replaced if necessary.

The commutator slots may now also be cleaned with pin or needle to remove excess carbon dust. Important. When replacing motor, make sure contact plate and contact spring are both seated correctly, as the locomotive will not run if they are not.



LUBRICATING

Your locomotive is lubricated during manufacture but can dry out in time. Re-lubricate where indicated, with a drop of Electrolube or a similar lubricant which is suitable for electric motors and bearings including plastics. (Caution should be taken as certain lubricants are not suitable for plastics.) Never use thick oil or grease, and never over-oil, as this attracts dust and fluff which causes electrical failure. Also make sure no oil goes onto carbon brushes or commutator.



Any extra service may be carried out by returning your locomotive to:

The Paltoy Company
Consumer Services (Mainline)
P.O. Box 9
Coalville
Leicester, LE6 2DE

Selected spare parts for your loco may be purchased direct from our factory. A full index of parts will be sent on receipt of a S.A.E. at the above address. Quote Code No. on lid.

Maintenance Instruction Manual Locomotive

Arturo Cuomo



Maintenance Instruction Manual Locomotive:

Maintenance Instruction Manual Locomotive Book Review: Unveiling the Magic of Language

In a digital era where connections and knowledge reign supreme, the enchanting power of language has become more apparent than ever. Its ability to stir emotions, provoke thought, and instigate transformation is really remarkable. This extraordinary book, aptly titled "**Maintenance Instruction Manual Locomotive**," compiled by a very acclaimed author, immerses readers in a captivating exploration of the significance of language and its profound effect on our existence. Throughout this critique, we will delve to the book's central themes, evaluate its unique writing style, and assess its overall influence on its readership.

https://staging.conocer.cide.edu/About/scholarship/fetch.php/geology_the_active_earth_ranger_ricks_naturescope_series.pdf

Table of Contents Maintenance Instruction Manual Locomotive

1. Understanding the eBook Maintenance Instruction Manual Locomotive
 - The Rise of Digital Reading Maintenance Instruction Manual Locomotive
 - Advantages of eBooks Over Traditional Books
2. Identifying Maintenance Instruction Manual Locomotive
 - Exploring Different Genres
 - Considering Fiction vs. Non-Fiction
 - Determining Your Reading Goals
3. Choosing the Right eBook Platform
 - Popular eBook Platforms
 - Features to Look for in an Maintenance Instruction Manual Locomotive
 - User-Friendly Interface
4. Exploring eBook Recommendations from Maintenance Instruction Manual Locomotive
 - Personalized Recommendations
 - Maintenance Instruction Manual Locomotive User Reviews and Ratings
 - Maintenance Instruction Manual Locomotive and Bestseller Lists

5. Accessing Maintenance Instruction Manual Locomotive Free and Paid eBooks
 - Maintenance Instruction Manual Locomotive Public Domain eBooks
 - Maintenance Instruction Manual Locomotive eBook Subscription Services
 - Maintenance Instruction Manual Locomotive Budget-Friendly Options
6. Navigating Maintenance Instruction Manual Locomotive eBook Formats
 - ePub, PDF, MOBI, and More
 - Maintenance Instruction Manual Locomotive Compatibility with Devices
 - Maintenance Instruction Manual Locomotive Enhanced eBook Features
7. Enhancing Your Reading Experience
 - Adjustable Fonts and Text Sizes of Maintenance Instruction Manual Locomotive
 - Highlighting and Note-Taking Maintenance Instruction Manual Locomotive
 - Interactive Elements Maintenance Instruction Manual Locomotive
8. Staying Engaged with Maintenance Instruction Manual Locomotive
 - Joining Online Reading Communities
 - Participating in Virtual Book Clubs
 - Following Authors and Publishers Maintenance Instruction Manual Locomotive
9. Balancing eBooks and Physical Books Maintenance Instruction Manual Locomotive
 - Benefits of a Digital Library
 - Creating a Diverse Reading Collection Maintenance Instruction Manual Locomotive
10. Overcoming Reading Challenges
 - Dealing with Digital Eye Strain
 - Minimizing Distractions
 - Managing Screen Time
11. Cultivating a Reading Routine Maintenance Instruction Manual Locomotive
 - Setting Reading Goals Maintenance Instruction Manual Locomotive
 - Carving Out Dedicated Reading Time
12. Sourcing Reliable Information of Maintenance Instruction Manual Locomotive
 - Fact-Checking eBook Content of Maintenance Instruction Manual Locomotive
 - Distinguishing Credible Sources
13. Promoting Lifelong Learning

- Utilizing eBooks for Skill Development
 - Exploring Educational eBooks
14. Embracing eBook Trends
- Integration of Multimedia Elements
 - Interactive and Gamified eBooks

Maintenance Instruction Manual Locomotive Introduction

In the digital age, access to information has become easier than ever before. The ability to download Maintenance Instruction Manual Locomotive has revolutionized the way we consume written content. Whether you are a student looking for course material, an avid reader searching for your next favorite book, or a professional seeking research papers, the option to download Maintenance Instruction Manual Locomotive has opened up a world of possibilities. Downloading Maintenance Instruction Manual Locomotive provides numerous advantages over physical copies of books and documents. Firstly, it is incredibly convenient. Gone are the days of carrying around heavy textbooks or bulky folders filled with papers. With the click of a button, you can gain immediate access to valuable resources on any device. This convenience allows for efficient studying, researching, and reading on the go. Moreover, the cost-effective nature of downloading Maintenance Instruction Manual Locomotive has democratized knowledge. Traditional books and academic journals can be expensive, making it difficult for individuals with limited financial resources to access information. By offering free PDF downloads, publishers and authors are enabling a wider audience to benefit from their work. This inclusivity promotes equal opportunities for learning and personal growth. There are numerous websites and platforms where individuals can download Maintenance Instruction Manual Locomotive. These websites range from academic databases offering research papers and journals to online libraries with an expansive collection of books from various genres. Many authors and publishers also upload their work to specific websites, granting readers access to their content without any charge. These platforms not only provide access to existing literature but also serve as an excellent platform for undiscovered authors to share their work with the world. However, it is essential to be cautious while downloading Maintenance Instruction Manual Locomotive. Some websites may offer pirated or illegally obtained copies of copyrighted material. Engaging in such activities not only violates copyright laws but also undermines the efforts of authors, publishers, and researchers. To ensure ethical downloading, it is advisable to utilize reputable websites that prioritize the legal distribution of content. When downloading Maintenance Instruction Manual Locomotive, users should also consider the potential security risks associated with online platforms. Malicious actors may exploit vulnerabilities in unprotected websites to distribute malware or steal personal information. To protect themselves, individuals should ensure their devices have reliable antivirus software installed and validate the legitimacy of the websites

they are downloading from. In conclusion, the ability to download Maintenance Instruction Manual Locomotive has transformed the way we access information. With the convenience, cost-effectiveness, and accessibility it offers, free PDF downloads have become a popular choice for students, researchers, and book lovers worldwide. However, it is crucial to engage in ethical downloading practices and prioritize personal security when utilizing online platforms. By doing so, individuals can make the most of the vast array of free PDF resources available and embark on a journey of continuous learning and intellectual growth.

FAQs About Maintenance Instruction Manual Locomotive Books

What is a Maintenance Instruction Manual Locomotive PDF? A PDF (Portable Document Format) is a file format developed by Adobe that preserves the layout and formatting of a document, regardless of the software, hardware, or operating system used to view or print it. **How do I create a Maintenance Instruction Manual Locomotive PDF?** There are several ways to create a PDF: Use software like Adobe Acrobat, Microsoft Word, or Google Docs, which often have built-in PDF creation tools. Print to PDF: Many applications and operating systems have a "Print to PDF" option that allows you to save a document as a PDF file instead of printing it on paper. Online converters: There are various online tools that can convert different file types to PDF. **How do I edit a Maintenance Instruction Manual Locomotive PDF?** Editing a PDF can be done with software like Adobe Acrobat, which allows direct editing of text, images, and other elements within the PDF. Some free tools, like PDFescape or Smallpdf, also offer basic editing capabilities. **How do I convert a Maintenance Instruction Manual Locomotive PDF to another file format?** There are multiple ways to convert a PDF to another format: Use online converters like Smallpdf, Zamzar, or Adobe Acrobats export feature to convert PDFs to formats like Word, Excel, JPEG, etc. Software like Adobe Acrobat, Microsoft Word, or other PDF editors may have options to export or save PDFs in different formats. **How do I password-protect a Maintenance Instruction Manual Locomotive PDF?** Most PDF editing software allows you to add password protection. In Adobe Acrobat, for instance, you can go to "File" -> "Properties" -> "Security" to set a password to restrict access or editing capabilities. Are there any free alternatives to Adobe Acrobat for working with PDFs? Yes, there are many free alternatives for working with PDFs, such as: LibreOffice: Offers PDF editing features. PDFsam: Allows splitting, merging, and editing PDFs. Foxit Reader: Provides basic PDF viewing and editing capabilities. How do I compress a PDF file? You can use online tools like Smallpdf, ILovePDF, or desktop software like Adobe Acrobat to compress PDF files without significant quality loss. Compression reduces the file size, making it easier to share and download. Can I fill out forms in a PDF file? Yes, most PDF viewers/editors like Adobe Acrobat, Preview (on Mac), or various online tools allow you to fill out forms in PDF files by selecting text fields and entering information. Are there any

restrictions when working with PDFs? Some PDFs might have restrictions set by their creator, such as password protection, editing restrictions, or print restrictions. Breaking these restrictions might require specific software or tools, which may or may not be legal depending on the circumstances and local laws.

Find Maintenance Instruction Manual Locomotive :

[geology the active earth ranger ricks naturescope series](#)

[genetics and gene therapy.](#)

genetic counseling a guide for the practicing physician heidelberg science library vol. 10

[geometric modeling for scientific visualization](#)

[genetics and molecular biology of rhythms in drosophila and other insects](#)

[geology of the bristol district](#)

geographic information management in local government

gentleman radical a life of john horne tooke

[genetic prophecy](#)

genetic engineering vol. 1 serial publication ser.

geological observations on south america

geometric supposer what is it a case of

geometry using the standards gd 1

[genesis understanding gods goodness](#)

[gentlemans dictionary](#)

Maintenance Instruction Manual Locomotive :

MerCruiser #5 Service Manual Stern Drive Units TR - TRS Find many great new & used options and get the best deals for MerCruiser #5 Service Manual Stern Drive Units TR - TRS at the best online prices at eBay! Mercury Marine MerCruiser Service Manual #5 Stern Driv This Workshop Service Repair manual PDF download for the TR/TRS Stern Drive Units Mercury Marine MerCruiser has been prepared as an aid to improve the ... Mercruiser stern drive unit factory service manual #5 TR ... Mercruiser stern drive unit TR TRS 1978 - 1993 .factory service manual on a CD all serial numbers. On CD. 326 Factory pages in PDF. Mercruiser Stern Drive Repair Manual, incl. TR, TRS 1964- ... Mercruiser Stern Drive Repair Manual 1964-1985 (plus 1986-1987 TR, TRS) · Quick reference data · General information · Tools and techniques ·

Troubleshooting ... MerCruiser Stern Drives Model II-TRS Manual 1986 This MerCruiser manual is 616 pages. QUICK REFERENCE DATA. CHAPTER ONE / GENERAL INFORMATION Manual organization / Notes, cautions and warnings / Torque ... Mercruiser stern drive service manual 5 TRS 1978 to 1993 ... Mercruiser stern drive units TR TRS 1978 - 1993 factory service manual all serial numbers. 90-12935. On CD. 326 Factory pages. TRS Service Manual P/N 90-12935 - eBay Find many great new & used options and get the best deals for Mercury MerCruiser #5 Sterndrives TR & TRS Service Manual P/N 90-12935 at the best online ... Mercruiser Repair Manual 1986 MerCruiser #5 Stern Drive Units TR-TRS Service Repair Shop Manual OEM DEAL. by mercruiser · Paperback. Currently unavailable. Seloc Mercruiser stern drives ... Service Manual #02 | PDF Service Manual #02 - Free ebook download as PDF File (.pdf) or read book online for free. number 2. SERVICE MANUAL Cited by 1 — This service manual has been written and published by the Service Department of Mercury. Marine to aid our dealers' mechanics and company service personnel when ... Hesi Rn Exit Exam Test Bank 2014 Pdf Hesi Rn Exit Exam Test Bank 2014 Pdf. INTRODUCTION Hesi Rn Exit Exam Test Bank 2014 Pdf .pdf. HESI RN EXIT EXAM (V1V7) INET ACTUAL TEST BANK ... HESI RN EXIT EXAM (V1V7) INET ACTUAL TEST BANK GOOD LUCK!. ; 2022/2023 RN HESI EXIT EXAM - Version 2 (V2) All 160 Qs &As Included - Guaranteed Pass A+!!! · \$27.45 ... Get Elsevier Exit Hesi Test Bank Complete Elsevier Exit Hesi Test Bank online with US Legal Forms. Easily fill out PDF blank, edit, and sign them. Save or instantly send your ready ... HESI Exit Exam The HESI Exit Exams are designed to test a student's understanding of the entire Nursing curriculum. The HESI RN Exit Exam contains 150 questions. The HESI ... I need help for Hesi exit exam Oct 23, 2014 — I took the hesi exit exam last week and got 874 and our passing score is 900 and above, right now I am fricking out. i dont know what to ... HESI Exit Exam RN (updated)- Test Bank Jan 21, 2023 — What is the best follow-up action by the nurse? • Review with the client the need to avoid foods that are rich in milk a... [Show more]. Is this a Scam? - HESI Entrance, Exit Exam Help Oct 13, 2014 — Specializes in Psychiatric RN. Oct 15, 2014. I didn't pass the first time but I was damn close (840). For the first exit exam, I didn't do ... Do you have the 2023 Fundamentals Hesi Exit Exam ... Apr 6, 2023 — Nursing students should use the 2023 Fundamentals HESI Exit Exam Version 1 (V1) Test Bank to help them prepare for the HESI Exit Exam. All of ... HESI Exit Exam validity and nursing program policies by M Shah · 2022 · Cited by 10 — Background: The HESI® Exit Exam (E2) has been used to assess student readiness for the NCLEX-RN® exami- nation for over two decades. Purpose: In this study, ... hesi rn exit exam test bank - Cosmo prof alberta - □□□ Jul 7, 2014 — Hesi Exit Exam Test Banks, 2014. #1 Test preparation tool. Pass first time or retry. Real deal. Hesi Test Bank: 2013 HESI Exit Exam for RN. Kids Music Jeopardy Kids Music Jeopardy Jeopardy Template. T.V. "I threw a wish in the well, don't ask me I'll never tell, I looked at you as it fell, and now you're in my way!" Music Jeopardy For Kids Whole note + an eight note. What is 4 1/2? ; Adam Levigne. What is Maroon 5? ; Treble Clef. What is... ? ; Beyonce. What is...? ; She has to leave before midnight. Kids Music Jeopardy Factile lets you create your own Jeopardy-style classroom game or quiz in minutes. You can even choose from

millions of pre-made games. Play “Kids Music ... Music jeopardy Browse music jeopardy resources on Teachers Pay Teachers, a marketplace trusted by millions of teachers for original educational ... Jeopardy Questions For Kids List of Jeopardy Questions for Kids · How many legs does a spider have? · How many noses does a slug have? · What group of animals is called a pride? · What do ... 21 Kids Music Trivia Questions to Make You Sing a Song of ... Mar 5, 2023 — 1. What song is often sung when you turn a year older? This Little Light Of Mine. Can You Answer These Real "Jeopardy!" Questions About ... May 15, 2019 — ... history, but novices may be able to beat the trivia wizes when it comes to music. How many of these 25 real “Jeopardy!” questions can you answer Music Jeopardy (Grades 2 - 5) This resource is specifically designed for parents! Music Jeopardy is a great way to engage your kids and tune into the music that they are into.