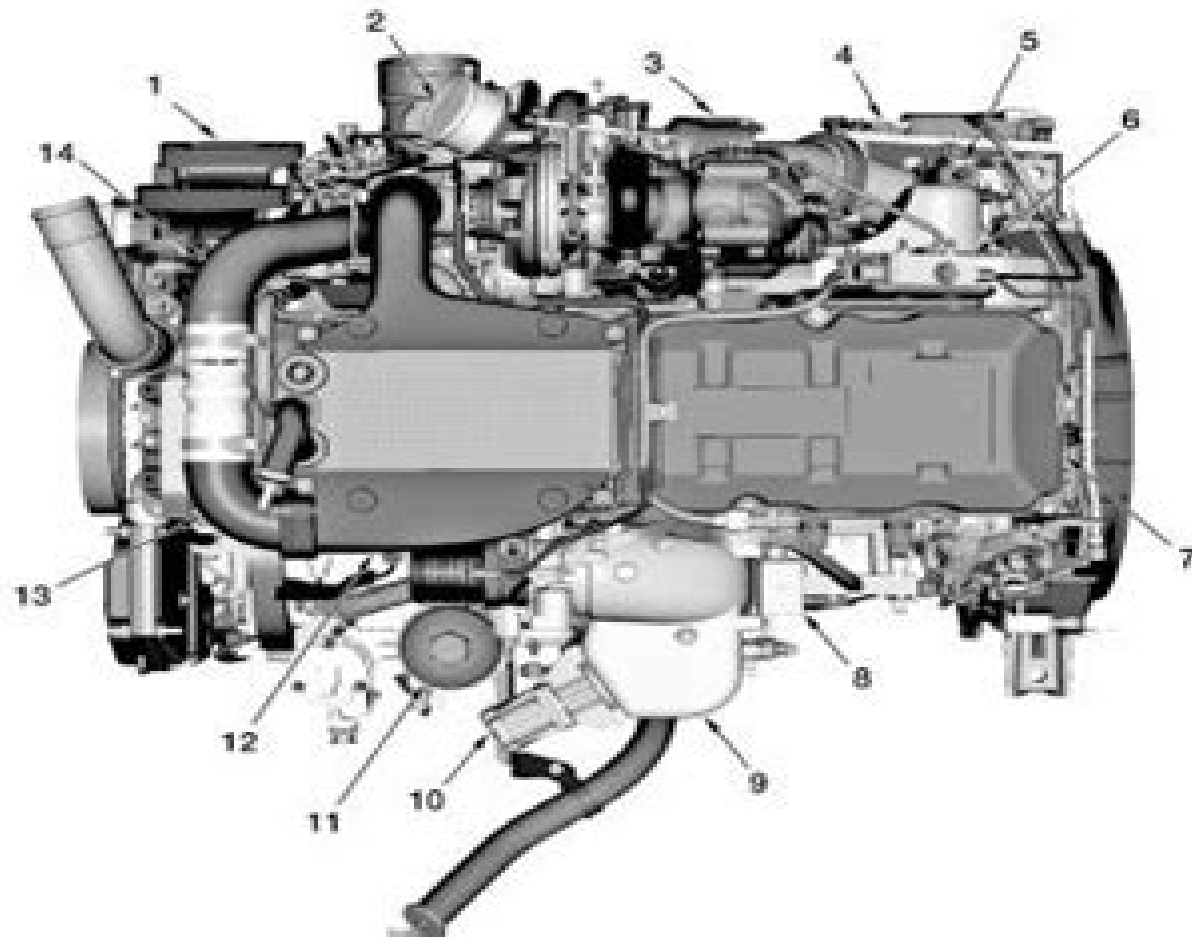


ENGINE SERVICE MANUAL

MaxxForce[®] DT, 9, and 10



Maxxforce Dt 9 10 Engine Manual

Thomas Griffiths



Maxxforce Dt 9 10 Engine Manual:

If you ally need such a referred **Maxxforce Dt 9 10 Engine Manual** books that will meet the expense of you worth, acquire the very best seller from us currently from several preferred authors. If you desire to droll books, lots of novels, tale, jokes, and more fictions collections are afterward launched, from best seller to one of the most current released.

You may not be perplexed to enjoy all ebook collections Maxxforce Dt 9 10 Engine Manual that we will very offer. It is not a propos the costs. Its more or less what you obsession currently. This Maxxforce Dt 9 10 Engine Manual, as one of the most working sellers here will extremely be in the middle of the best options to review.

<https://staging.conocer.cide.edu/data/Resources/default.aspx/grade%201mathematics%20p2%20limpopodoe%20november%202014.pdf>

Table of Contents Maxxforce Dt 9 10 Engine Manual

1. Understanding the eBook Maxxforce Dt 9 10 Engine Manual
 - The Rise of Digital Reading Maxxforce Dt 9 10 Engine Manual
 - Advantages of eBooks Over Traditional Books
2. Identifying Maxxforce Dt 9 10 Engine Manual
 - Exploring Different Genres
 - Considering Fiction vs. Non-Fiction
 - Determining Your Reading Goals
3. Choosing the Right eBook Platform
 - Popular eBook Platforms
 - Features to Look for in an Maxxforce Dt 9 10 Engine Manual
 - User-Friendly Interface
4. Exploring eBook Recommendations from Maxxforce Dt 9 10 Engine Manual
 - Personalized Recommendations
 - Maxxforce Dt 9 10 Engine Manual User Reviews and Ratings
 - Maxxforce Dt 9 10 Engine Manual and Bestseller Lists

5. Accessing Maxxforce Dt 9 10 Engine Manual Free and Paid eBooks
 - Maxxforce Dt 9 10 Engine Manual Public Domain eBooks
 - Maxxforce Dt 9 10 Engine Manual eBook Subscription Services
 - Maxxforce Dt 9 10 Engine Manual Budget-Friendly Options
6. Navigating Maxxforce Dt 9 10 Engine Manual eBook Formats
 - ePub, PDF, MOBI, and More
 - Maxxforce Dt 9 10 Engine Manual Compatibility with Devices
 - Maxxforce Dt 9 10 Engine Manual Enhanced eBook Features
7. Enhancing Your Reading Experience
 - Adjustable Fonts and Text Sizes of Maxxforce Dt 9 10 Engine Manual
 - Highlighting and Note-Taking Maxxforce Dt 9 10 Engine Manual
 - Interactive Elements Maxxforce Dt 9 10 Engine Manual
8. Staying Engaged with Maxxforce Dt 9 10 Engine Manual
 - Joining Online Reading Communities
 - Participating in Virtual Book Clubs
 - Following Authors and Publishers Maxxforce Dt 9 10 Engine Manual
9. Balancing eBooks and Physical Books Maxxforce Dt 9 10 Engine Manual
 - Benefits of a Digital Library
 - Creating a Diverse Reading Collection Maxxforce Dt 9 10 Engine Manual
10. Overcoming Reading Challenges
 - Dealing with Digital Eye Strain
 - Minimizing Distractions
 - Managing Screen Time
11. Cultivating a Reading Routine Maxxforce Dt 9 10 Engine Manual
 - Setting Reading Goals Maxxforce Dt 9 10 Engine Manual
 - Carving Out Dedicated Reading Time
12. Sourcing Reliable Information of Maxxforce Dt 9 10 Engine Manual
 - Fact-Checking eBook Content of Maxxforce Dt 9 10 Engine Manual
 - Distinguishing Credible Sources
13. Promoting Lifelong Learning

-
- Utilizing eBooks for Skill Development
 - Exploring Educational eBooks
14. Embracing eBook Trends
- Integration of Multimedia Elements
 - Interactive and Gamified eBooks

Maxxforce Dt 9 10 Engine Manual Introduction

Maxxforce Dt 9 10 Engine Manual Offers over 60,000 free eBooks, including many classics that are in the public domain.

Open Library: Provides access to over 1 million free eBooks, including classic literature and contemporary works. Maxxforce Dt 9 10 Engine Manual Offers a vast collection of books, some of which are available for free as PDF downloads, particularly older books in the public domain.

Maxxforce Dt 9 10 Engine Manual : This website hosts a vast collection of scientific articles, books, and textbooks. While it operates in a legal gray area due to copyright issues, its a popular resource for finding various publications.

Internet Archive for Maxxforce Dt 9 10 Engine Manual : Has an extensive collection of digital content, including books, articles, videos, and more. It has a massive library of free downloadable books.

Free-eBooks Maxxforce Dt 9 10 Engine Manual Offers a diverse range of free eBooks across various genres. Maxxforce Dt 9 10 Engine Manual Focuses mainly on educational books, textbooks, and business books. It offers free PDF downloads for educational purposes.

Maxxforce Dt 9 10 Engine Manual Provides a large selection of free eBooks in different genres, which are available for download in various formats, including PDF.

Finding specific Maxxforce Dt 9 10 Engine Manual, especially related to Maxxforce Dt 9 10 Engine Manual, might be challenging as theyre often artistic creations rather than practical blueprints. However, you can explore the following steps to search for or create your own Online Searches:

- Look for websites, forums, or blogs** dedicated to Maxxforce Dt 9 10 Engine Manual, Sometimes enthusiasts share their designs or concepts in PDF format.
- Books and Magazines** Some Maxxforce Dt 9 10 Engine Manual books or magazines might include. Look for these in online stores or libraries. Remember that while Maxxforce Dt 9 10 Engine Manual, sharing copyrighted material without permission is not legal. Always ensure youre either creating your own or obtaining them from legitimate sources that allow sharing and downloading.
- Library Check** if your local library offers eBook lending services. Many libraries have digital catalogs where you can borrow Maxxforce Dt 9 10 Engine Manual eBooks for free, including popular titles.
- Online Retailers:** Websites like Amazon, Google Books, or Apple Books often sell eBooks. Sometimes, authors or publishers offer promotions or free periods for certain books.
- Authors Website** Occasionally, authors provide excerpts or short stories for free on their websites. While this might not be the Maxxforce Dt 9 10 Engine Manual full book , it can give you a taste of the authors writing style.
- Subscription Services** Platforms like Kindle Unlimited or Scribd offer subscription-based access to a wide range of

Maxxforce Dt 9 10 Engine Manual eBooks, including some popular titles.

FAQs About Maxxforce Dt 9 10 Engine Manual Books

What is a Maxxforce Dt 9 10 Engine Manual PDF? A PDF (Portable Document Format) is a file format developed by Adobe that preserves the layout and formatting of a document, regardless of the software, hardware, or operating system used to view or print it. **How do I create a Maxxforce Dt 9 10 Engine Manual PDF?** There are several ways to create a PDF: Use software like Adobe Acrobat, Microsoft Word, or Google Docs, which often have built-in PDF creation tools. Print to PDF: Many applications and operating systems have a "Print to PDF" option that allows you to save a document as a PDF file instead of printing it on paper. Online converters: There are various online tools that can convert different file types to PDF. **How do I edit a Maxxforce Dt 9 10 Engine Manual PDF?** Editing a PDF can be done with software like Adobe Acrobat, which allows direct editing of text, images, and other elements within the PDF. Some free tools, like PDFescape or Smallpdf, also offer basic editing capabilities. **How do I convert a Maxxforce Dt 9 10 Engine Manual PDF to another file format?** There are multiple ways to convert a PDF to another format: Use online converters like Smallpdf, Zamzar, or Adobe Acrobats export feature to convert PDFs to formats like Word, Excel, JPEG, etc. Software like Adobe Acrobat, Microsoft Word, or other PDF editors may have options to export or save PDFs in different formats. **How do I password-protect a Maxxforce Dt 9 10 Engine Manual PDF?** Most PDF editing software allows you to add password protection. In Adobe Acrobat, for instance, you can go to "File" -> "Properties" -> "Security" to set a password to restrict access or editing capabilities. Are there any free alternatives to Adobe Acrobat for working with PDFs? Yes, there are many free alternatives for working with PDFs, such as: LibreOffice: Offers PDF editing features. PDFsam: Allows splitting, merging, and editing PDFs. Foxit Reader: Provides basic PDF viewing and editing capabilities. How do I compress a PDF file? You can use online tools like Smallpdf, ILovePDF, or desktop software like Adobe Acrobat to compress PDF files without significant quality loss. Compression reduces the file size, making it easier to share and download. Can I fill out forms in a PDF file? Yes, most PDF viewers/editors like Adobe Acrobat, Preview (on Mac), or various online tools allow you to fill out forms in PDF files by selecting text fields and entering information. Are there any restrictions when working with PDFs? Some PDFs might have restrictions set by their creator, such as password protection, editing restrictions, or print restrictions. Breaking these restrictions might require specific software or tools, which may or may not be legal depending on the circumstances and local laws.

Find Maxxforce Dt 9 10 Engine Manual :

grade 1mathematics p2 limpopodoe november 2014

grade 1final exam exemplar physics

grade 1formal test november 2013

grade 2014 november physical science paper 1

grade 1geography exemplar2014

grade 1history scope for 2014 november

grade 1life science exam paper2013

grade 1june exam 2014 kzn

grade 1maths march 2paper

grade 1examination timetable 2013 limpopo

grade 1geography 2014 november exam scope

grade 2014 paper2 question paper of isizulu

grade 1physical science exam papers 2010

grade 1outsourcing essay

grade 1practical examination november 2014

Maxxforce Dt 9 10 Engine Manual :

022 joseph in prison activity worksheets hisberry - Dec 09 2022

web joseph in prison activity sheet these story based activity pages are a great way to extend the learning with your little ones the printable featured below goes right along with the story and

joseph goes to prison lesson 3 bible point god helps us in - Oct 07 2022

web joseph goes to prison lesson 3 god helps us in hard times bible verse he god is our help and our shield psalm 33 20b

growing closer to jesus children will n talk about hard times they ve had n learn that joseph was thrown into prison and n ask god for help in hard times teacher enrichment bible basis

joseph helps 1 week 1 of 4 in prison reflect on the word - Nov 08 2022

web joseph helps in prison bible story joseph s prison time genesis 39 bible truth god helps us to help others this lesson will help preschoolers know that joseph loved god did what god wanted him to do and want to please god in the things they do 1

reflect on the word read genesis 39

[joseph in prison](#) - Apr 13 2023

web teacher challenge read genesis 39 1 40 23 how can remembering the example of joseph s persistence to always follow god even during tough times help you this week joseph abused enslaved imprisoned on a false charge could have justly cried i don t deserve this but joseph s question was not why me but what now lord

[lesson text joseph goes to prison sundayschoolsources com](#) - Jan 10 2023

web joseph goes to prison genesis 39 1 23 review activities for this lesson after joseph was sold to the ishmaelites they took joseph to egypt and sold him as a slave to potiphar the king s official in charge of the palace guard joseph lived in potiphar s home

genesis joseph in prison pharaoh s dreams including the - Feb 11 2023

web aug 18 2013 when joseph refused to spend time with potiphar s wife she grabbed joseph s coat and lied to her husband about joseph potiphar believed his wife and put joseph in prison but even in prison god was with joseph the prison guard trusted joseph to stay and guard the prison

joseph in prison preschool activities etherpad arts ac - May 02 2022

web joseph in prison preschool activities more ibl for preschoolers god helps me drama start the bible in pictures for little eyes moses and the red sea joseph and the hebrews in egypt stories from the bible for children common worship pastoral services escape from egypt the tale of jeremy vole spur of the moment preschool activities

joseph in prison preschool activities - Feb 28 2022

web it will enormously ease you to look guide joseph in prison preschool activities as you such as by searching the title publisher or authors of guide you essentially want you can discover them rapidly

joseph in prison preschool activities pdf seminary fbny - Aug 05 2022

web joseph in prison preschool activities 1 joseph in prison preschool activities escape from egypt the bible in pictures for little eyes what god is doing sold into slavery jonah and the big fish activity book joseph and the colorful coat more ibl

joseph in prison preschool activities download only - Apr 01 2022

web among guides you could enjoy now is joseph in prison preschool activities below the activity bible b h kids editorial staff 2015 12 little voices praise him 2005 10 crime and justice michael h tonry 2008 the research presented in volume 37 of crime and justice is essential reading for scholars policy makers and criminal justice

joseph prison craft sundayschoolist - Jun 15 2023

web the bible story of joseph is one that teaches us to be courageous in the midst of some of life s worst storms so many great lessons to glean from his life these ideas can be used at home sunday school or in your preschool or kindergarten class crafts games and fun activities are a great way of reinforcing bible stories in a creative way

joseph in jail activities adventures in a messy life - May 14 2023

web may 15 2013 to get the free storybook printable with joseph in jail activities and questions just click on the picture below joseph in jail activities storybook and discussion question printable to see how joseph s story started head over to joseph s coat and to see how it ends head over to joseph forgives his brothers

joseph children s sunday school lessons blessedsteps org - Mar 12 2023

web oct 1 2018 two joseph children s sunday school lessons with games crafts and snacks plus other resources for easy teaching

1 11 genesis joseph in prison bible fun for kids - Aug 17 2023

web oct 14 2016 continuing our study with joseph joseph is sold and put in prison when he is in egypt is lesson 11 in the first quarter of a year of preschool bible study that i assist with on wednesday evening these are the visuals i set up to use with this lesson

joseph in prison preschool activities donate pfi org - Jun 03 2022

web joseph in prison preschool activities is available in our book collection an online access to it is set as public so you can get it instantly our digital library saves in multiple locations allowing you to get the most less latency time to download any of our books like this one

022 joseph in prison bible verse activity worksheets - Sep 06 2022

web joseph in prison bible verse worksheets pack these story based activity pages are a great way to extend the learning with your little ones the printable featured below goes right along with the story and pulls out some of the fun learning aspects of the book

joseph in prison bible fun for kids - Jul 16 2023

web sep 23 2019 you can see they are cardboard boxes opened with squares and rectangles attached to look like a brick pattern she uses them to create towns or cities also this window has black dowel rods inserted in the window to

joseph in prison preschool activities - Jul 04 2022

web joseph in prison preschool activities spur of the moment preschool activities little voices praise him joseph the dreamer killer of enemies the picture bible the big book of bible story activity pages 2 the life of joseph bible verse coloring pages sold into slavery i m not just a scribble promoting social and emotional learning father abraham

preschool lesson plan for joseph in prison jmsseniorliving - Jan 30 2022

web preschool lesson plan for joseph in prison the activity bible the leader in me joseph had a little overcoat the negro bible the slave bible bible puzzles for kids i m not just a scribble chaos and the kingdom building blocks for teaching preschoolers with special needs daniel in the lions den

joseph in prison bible fun for kids - Sep 18 2023

web monday june 13 2022 bible abc s p is for prison part 2 joseph and the prison years bonus genesis 39 41 these lessons can be used without the alphabet theme consider these an update with new ideas and printables the applications review who had each dream the first is a cut and glue worksheet

ielts academic and general free practice tests - Nov 28 2022

web academic writing free sample questions a quick look at the general training writing test duration 60 minutes the general training writing test includes two tasks that are based on topics of general interest task 1 you will be presented with a situation and asked to write a letter requesting information or explaining the situation

ielts academic test sample test questions - Aug 06 2023

web ielts academic paper sample tests listening academic reading academic writing listening 30 minutes the listening test is the same for both ielts academic and ielts general training and consists of four recorded monologues and conversations

free ielts practice tests 2023 200 questions test guide - Sep 26 2022

web jun 24 2023 the general training ielts exam is for people who want to immigrate to the united kingdom australia canada or new zealand it s also for students who want to study in an english language country below the degree level the ielts exam is divided into four different sections there s a listening section a reading section a writing

ielts practice tests idp ielts - Jan 19 2022

web go to homepage explore the ielts practice tests available for the different ielts test parts and find out how you can improve your band score

free ielts general training reading practice test take ielts - Dec 18 2021

web free online ielts general training reading practice test paper you will be allowed 1 hour to complete all 3 sections of the ielts general training reading test the three parts of this practice reading test are presented over three separate web pages

free online ielts listening practice tests take ielts - Oct 28 2022

web free online ielts listening practice tests the ielts listening test will take about 30 minutes and you will have an extra 10 minutes to transfer your answers to the answer sheet the four parts of this practice listening test are presented over four separate web pages

practice tests ielts asia british council - Jul 25 2022

web download practice tests please leave your contact details below to download free copies of practice test papers for the ielts academic and general training module it includes all four skills listening reading writing and speaking first name last name email

free online ielts writing practice tests take ielts - Nov 16 2021

web free online ielts academic writing practice tests paper practise for your ielts writing test with our free practice test free online ielts general training writing practice test paper practise for your general training ielts writing test

ielts international english language testing system - Jun 04 2023

web free paper based sample tests download ielts sample paper there are also lots of free sample test questions on the ielts website just select which paper you would like to practise free ielts sample test questions improve your skills the intelligent way

ielts sample paper page list of official exam samples and past papers - Jul 05 2023

web past official ielts sample papers can be purchased in thirteen different volumes cambridge 1 to cambridge 13 the series numbers range from oldest to newest in other words if you want the most recent one you should have a look at cambridge ielts 13 the sample papers come in three different versions

free online ielts practice sample tests take ielts - Sep 07 2023

web free online ielts writing practice tests you will be allowed 1 hour to complete the two tasks in the ielts academic writing or ielts general writing test you ll find practice tests for each here free online ielts speaking practice tests

ielts sample test questions - Oct 08 2023

web sample test quest ielts sample test questions official practice and sample questions and answers we have a range of materials to help you do well in your ielts test every year millions more people succeed with ielts free practice papers and resources to help you succeed find preparation resources ielts academic ielts general training

ielts questions 2022 and 2023 january to december ielts - Aug 26 2022

web nov 6 2023 36 comments recent ielts exams welcome to our new latest ielts exam questions page here you will find the most recent ielts questions that test takers remembered and shared updated daily in real time last updated november 2 2023 test questions are organised by month when they were reported

ielts mock test download test modules practice papers - Feb 17 2022

web apr 9 2018 mock test preparation tips cutoff dates faqs ielts mock test idp releases the ielts exam mock test 2023 in online mode students preparing for the exam can download the ielts mock test online from the idp ielts official website ielts org ielts practice tests are available for academic as well as general ielts

ielts international english language testing system - Jun 23 2022

web in ielts there are four papers listening reading writing and speaking there are two different ielts modules academic and general training the speaking and listening tests are the same in both modules but the reading and writing tests are

[ielts ielts preparation resources](#) - May 03 2023

web listen to past test takers find advice and learn more about the test books from practice tests to expert advice our books

have everything you need to get test ready articles get up to date advice and guidance with our latest articles find a resource
free ielts academic reading practice test take ielts - Mar 01 2023

web free online ielts academic reading practice test paper you will be allowed 1 hour to complete all 3 sections of the ielts academic reading test the three parts of this practice reading test are presented over three separate web pages make sure you move swiftly from one page to the next so that your practice is as realistic as possible

ielts 2022 practice test download sample question paper pdf - Mar 21 2022

web dec 31 2021 ielts 2022 question papers are available here in pdf format ielts or international english language testing system is organised worldwide to test the english language of those who are willing to study or work in a country where english is the communication language the score of ielts is accepted by more than 10 000

free online ielts academic writing practice tests paper - Apr 02 2023

web free online ielts academic writing practice tests paper ielts practice academic writing test task 1 ielts practice academic writing test task 2 ielts practice academic writing test 2 task 1 ielts practice academic writing test 2 task 2 free online ielts general training writing practice test paper

cambridge ielts 10 cambridge english exams amp ielts - Dec 30 2022

web cambridge ielts 10 contains four authentic ielts past papers from cambridge english language assessment providing excellent exam practice cambridge ielts 10 provides students with an excellent opportunity to familiarise themselves with ielts and to practise examination techniques using authentic test material prepared by cambridge english

cambridge ielts 9 cambridge english exams amp ielts - Jan 31 2023

web cambridge ielts 9 contains four authentic ielts past papers from cambridge esol providing excellent exam practice cambridge ielts 9 provides students with an excellent opportunity to familiarise themselves with ielts and to practise examination techniques using authentic test material prepared by cambridge esol

ielts sample papers ielts test papers ielts full length - Apr 21 2022

web check ielts listening practice test ielts speaking practice ielts reading practice papers ielts writing practice papers ielts speaking audio samples candidates can download free ielts practice tests pdf from below links check get 10 free sample papers check register for ielts coaching join for free trial class now

ielts past papers and question bank study mind - May 23 2022

web ielts past papers are the previous test papers of the international english language testing system ielts exam that have been conducted in the past these papers include all the four modules of the exam namely listening reading writing and speaking

understanding your clients through human design anna s archive - Aug 25 2022

web support libraries if this is available at your local library consider borrowing it for free there all download options have the same file and should be safe to use that said always be cautious when downloading files from the internet

understanding your clients through human design t copy - Apr 01 2023

web understanding your clients through human design t 1 understanding your clients through human design t elevating the human experience empathy in psychotherapy understanding your clients through human design talking to humans

understanding your clients through human design t downloaded from db csda org by guest

understanding your clients through human design the - Oct 07 2023

web understanding your clients through human design the breakthrough technology winn mft robin amazon com tr kitap

understanding your clients through human design the - Sep 06 2023

web oct 15 2019 human design is the next evolution after myers briggs the enneagram and other innovative profiling systems whether your field is psychotherapy recovery coaching or healing arts and whether your clients are individuals couples families or business teams understanding your clients through human design will empower your work

understanding your clients through human design the - Sep 25 2022

web whether your field is psychotherapy recovery coaching or healing arts and whether your clients are individuals couples families or business teams understanding your clients through human design will empower your work and call you to reconsider how you approach people

understanding your clients through human design the - Jan 30 2023

web apr 22 2020 buy understanding your clients through human design the breakthrough technology understanding human design by winn mft robin curry parker bsn cfc karen isbn 9781683092742 from amazon s book store everyday low prices and free delivery on eligible orders

a beginner s guide to human design what is human design - Jul 24 2022

web dec 12 2022 learn all about the human design system why you should care and where to start when it comes to understanding your own human design chart

understanding your clients through human design anna s - May 02 2023

web whether your field is psychotherapy recovery coaching or healing arts and whether your clients are individuals couples families or business teams understanding your clients through human design will empower your work and call you to reconsider how you approach people human design specialist robin winn breaks down the components of

understanding your clients through human design the br - Aug 05 2023

web human design is the next evolution after meyers briggs the enneagram and other popular profiling systems it s a simple and accurate way to access your client s operating system and a user friendly manual of how to work with their unique

program

understanding human design episode 6 with robin winn - Nov 27 2022

web in this week s episode we have robin winn the author of understanding your clients through human design the breakthrough technology show notes how human design helps us find our way 03 00 tapping into human design and empowering each other 04 30 robin winn s favorite breakthrough story of using human design with

how to use human design for client attraction mindset juliette - May 22 2022

web jul 13 2022 how to use human design for client attraction mindset by juliette stapleton jul 13 2022 running a business constantly looking for clients staying visible and launching often comes with a feeling of not being enough

understanding your clients through human design t - Apr 20 2022

web it is your entirely own epoch to exploit reviewing habit in the middle of guides you could enjoy now is understanding your clients through human design t below the rave i ching ra uru hu 1999 03 01 a modern guide to human design rachel lieberman 2023 10 24 wouldn t it be great if we were handed an instruction manual not only for

understanding your clients through human design the - Feb 28 2023

web apr 22 2020 robin winn s book understanding your clients through human design is a must read she provides invaluable insights and perspectives that demonstrate human design as an essential tool for enhancing relationships and *understanding your clients through human design audible com* - Dec 29 2022

web whether your field is psychotherapy recovery coaching or healing arts and whether your clients are individuals couples families or business teams understanding your clients through human design will empower your work and call you to reconsider how you approach people

[understanding your clients through human design the](#) - Oct 27 2022

web understanding your clients through human design the breakthrough technology amazon in books

[understanding your clients through human design t](#) - Jun 22 2022

web feb 26 2023 understanding your clients through human design robin winn 2020 11 10 getting to know you karen flaherty 2018 09 09 getting to know you embrace your unique blueprint and make decisions you love and trust including a free audio book is a human design guidebook for you if you re wanting to get from point a to

understanding your clients through human design anna nin arşivi - Jul 04 2023

web md5 of a better version of this file if applicable fill this in if there is another file that closely matches this file same edition same file extension if you can find one which people should use instead of this file

[robin winn understanding your clients through human](#) - Jun 03 2023

web understanding your clients through human design is an amazing companion for coaches and therapists when human

design is in your wheelhouse of support i consider robin the number one authority on human design for educating coaches therapists alike

welcome human design - Feb 16 2022

web understanding your self through human design discovering your true self schedule a session

understanding your clients through human design t pdf - Mar 20 2022

web jan 18 2023 understanding your clients through human design t 1 16 downloaded from kelliemay com on january 18

2023 by guest understanding your clients through human design t recognizing the way ways to acquire this ebook

understanding your clients through human design t is additionally useful you have