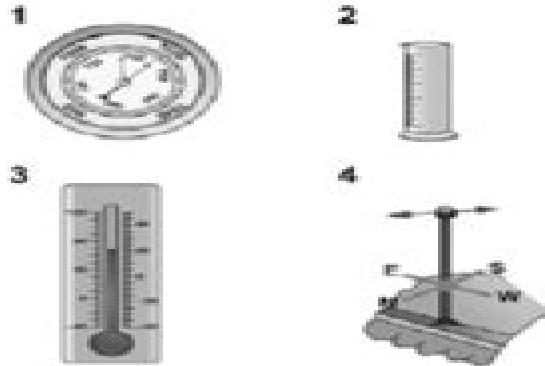


Quiz: How Is Weather Measured?

Read each question. Circle the letter of the correct answer.

Unit 7 Lesson 1 Lesson Quiz

1. Four tools that measure weather are shown.



Which tool measures wind direction?

- A. 1
- B. 2
- C. 3
- D. 4**

2. Which weather instrument is used to measure air temperature?

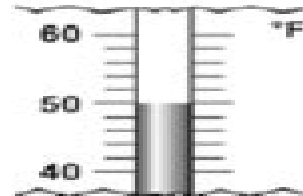
- A. rain gauge
- B. anemometer
- C. thermometer**
- D. weathervane

Unit 7/ Lesson 1

3. The temperature in Maineville has been 0°C for a week. Precipitation is expected soon. What type of weather is likely to happen in Mainville?

- A. snow and sleet**
- B. high winds and rain
- C. some wind and sunshine
- D. warmer temperatures and tornadoes

4. A section of a thermometer is shown.



What does this instrument show about the weather?

- A. There is 50 feet of snow.
- B. The temperature is 50°F .**
- C. There is 50 centimeters of rain.
- D. The wind speed is 50 miles per hour.

Geometry Unit 7 Lesson 1 Tesccc 2012

N Noddings



Geometry Unit 7 Lesson 1 Tesccc 2012:

This book delves into Geometry Unit 7 Lesson 1 Tesccc 2012. Geometry Unit 7 Lesson 1 Tesccc 2012 is a vital topic that must be grasped by everyone, ranging from students and scholars to the general public. This book will furnish comprehensive and in-depth insights into Geometry Unit 7 Lesson 1 Tesccc 2012, encompassing both the fundamentals and more intricate discussions.

1. The book is structured into several chapters, namely:

- Chapter 1: Introduction to Geometry Unit 7 Lesson 1 Tesccc 2012
- Chapter 2: Essential Elements of Geometry Unit 7 Lesson 1 Tesccc 2012
- Chapter 3: Geometry Unit 7 Lesson 1 Tesccc 2012 in Everyday Life
- Chapter 4: Geometry Unit 7 Lesson 1 Tesccc 2012 in Specific Contexts
- Chapter 5: Conclusion

2. In chapter 1, the author will provide an overview of Geometry Unit 7 Lesson 1 Tesccc 2012. The first chapter will explore what Geometry Unit 7 Lesson 1 Tesccc 2012 is, why Geometry Unit 7 Lesson 1 Tesccc 2012 is vital, and how to effectively learn about Geometry Unit 7 Lesson 1 Tesccc 2012.

3. In chapter 2, the author will delve into the foundational concepts of Geometry Unit 7 Lesson 1 Tesccc 2012. The second chapter will elucidate the essential principles that must be understood to grasp Geometry Unit 7 Lesson 1 Tesccc 2012 in its entirety.

4. In chapter 3, the author will examine the practical applications of Geometry Unit 7 Lesson 1 Tesccc 2012 in daily life. This chapter will showcase real-world examples of how Geometry Unit 7 Lesson 1 Tesccc 2012 can be effectively utilized in everyday scenarios.

5. In chapter 4, this book will scrutinize the relevance of Geometry Unit 7 Lesson 1 Tesccc 2012 in specific contexts. The fourth chapter will explore how Geometry Unit 7 Lesson 1 Tesccc 2012 is applied in specialized fields, such as education, business, and technology.

6. In chapter 5, the author will draw a conclusion about Geometry Unit 7 Lesson 1 Tesccc 2012. This chapter will summarize the key points that have been discussed throughout the book.

The book is crafted in an easy-to-understand language and is complemented by engaging illustrations. This book is highly recommended for anyone seeking to gain a comprehensive understanding of Geometry Unit 7 Lesson 1 Tesccc 2012.

https://staging.conocer.cide.edu/files/scholarship/fetch.php/kako_pomoci_bolesnima.pdf

Table of Contents Geometry Unit 7 Lesson 1 Tesccc 2012

1. Understanding the eBook Geometry Unit 7 Lesson 1 Tesccc 2012
 - The Rise of Digital Reading Geometry Unit 7 Lesson 1 Tesccc 2012
 - Advantages of eBooks Over Traditional Books
2. Identifying Geometry Unit 7 Lesson 1 Tesccc 2012
 - Exploring Different Genres
 - Considering Fiction vs. Non-Fiction
 - Determining Your Reading Goals
3. Choosing the Right eBook Platform
 - Popular eBook Platforms
 - Features to Look for in an eBook Platform
 - User-Friendly Interface
4. Exploring eBook Recommendations from Geometry Unit 7 Lesson 1 Tesccc 2012
 - Personalized Recommendations
 - Geometry Unit 7 Lesson 1 Tesccc 2012 User Reviews and Ratings
 - Geometry Unit 7 Lesson 1 Tesccc 2012 and Bestseller Lists
5. Accessing Geometry Unit 7 Lesson 1 Tesccc 2012 Free and Paid eBooks
 - Geometry Unit 7 Lesson 1 Tesccc 2012 Public Domain eBooks
 - Geometry Unit 7 Lesson 1 Tesccc 2012 eBook Subscription Services
 - Geometry Unit 7 Lesson 1 Tesccc 2012 Budget-Friendly Options
6. Navigating Geometry Unit 7 Lesson 1 Tesccc 2012 eBook Formats
 - ePub, PDF, MOBI, and More
 - Geometry Unit 7 Lesson 1 Tesccc 2012 Compatibility with Devices
 - Geometry Unit 7 Lesson 1 Tesccc 2012 Enhanced eBook Features
7. Enhancing Your Reading Experience
 - Adjustable Fonts and Text Sizes of Geometry Unit 7 Lesson 1 Tesccc 2012
 - Highlighting and Note-Taking Geometry Unit 7 Lesson 1 Tesccc 2012
 - Interactive Elements Geometry Unit 7 Lesson 1 Tesccc 2012

8. Staying Engaged with Geometry Unit 7 Lesson 1 Tesccc 2012
 - Joining Online Reading Communities
 - Participating in Virtual Book Clubs
 - Following Authors and Publishers Geometry Unit 7 Lesson 1 Tesccc 2012
9. Balancing eBooks and Physical Books Geometry Unit 7 Lesson 1 Tesccc 2012
 - Benefits of a Digital Library
 - Creating a Diverse Reading Collection Geometry Unit 7 Lesson 1 Tesccc 2012
10. Overcoming Reading Challenges
 - Dealing with Digital Eye Strain
 - Minimizing Distractions
 - Managing Screen Time
11. Cultivating a Reading Routine Geometry Unit 7 Lesson 1 Tesccc 2012
 - Setting Reading Goals Geometry Unit 7 Lesson 1 Tesccc 2012
 - Carving Out Dedicated Reading Time
12. Sourcing Reliable Information of Geometry Unit 7 Lesson 1 Tesccc 2012
 - Fact-Checking eBook Content of Geometry Unit 7 Lesson 1 Tesccc 2012
 - Distinguishing Credible Sources
13. Promoting Lifelong Learning
 - Utilizing eBooks for Skill Development
 - Exploring Educational eBooks
14. Embracing eBook Trends
 - Integration of Multimedia Elements
 - Interactive and Gamified eBooks

Geometry Unit 7 Lesson 1 Tesccc 2012 Introduction

In this digital age, the convenience of accessing information at our fingertips has become a necessity. Whether its research papers, eBooks, or user manuals, PDF files have become the preferred format for sharing and reading documents. However, the cost associated with purchasing PDF files can sometimes be a barrier for many individuals and organizations. Thankfully, there are numerous websites and platforms that allow users to download free PDF files legally. In this article, we will explore some of the best platforms to download free PDFs. One of the most popular platforms to download free PDF files is Project

Gutenberg. This online library offers over 60,000 free eBooks that are in the public domain. From classic literature to historical documents, Project Gutenberg provides a wide range of PDF files that can be downloaded and enjoyed on various devices. The website is user-friendly and allows users to search for specific titles or browse through different categories. Another reliable platform for downloading Geometry Unit 7 Lesson 1 Tesccc 2012 free PDF files is Open Library. With its vast collection of over 1 million eBooks, Open Library has something for every reader. The website offers a seamless experience by providing options to borrow or download PDF files. Users simply need to create a free account to access this treasure trove of knowledge. Open Library also allows users to contribute by uploading and sharing their own PDF files, making it a collaborative platform for book enthusiasts. For those interested in academic resources, there are websites dedicated to providing free PDFs of research papers and scientific articles. One such website is Academia.edu, which allows researchers and scholars to share their work with a global audience. Users can download PDF files of research papers, theses, and dissertations covering a wide range of subjects. Academia.edu also provides a platform for discussions and networking within the academic community. When it comes to downloading Geometry Unit 7 Lesson 1 Tesccc 2012 free PDF files of magazines, brochures, and catalogs, Issuu is a popular choice. This digital publishing platform hosts a vast collection of publications from around the world. Users can search for specific titles or explore various categories and genres. Issuu offers a seamless reading experience with its user-friendly interface and allows users to download PDF files for offline reading. Apart from dedicated platforms, search engines also play a crucial role in finding free PDF files. Google, for instance, has an advanced search feature that allows users to filter results by file type. By specifying the file type as "PDF," users can find websites that offer free PDF downloads on a specific topic. While downloading Geometry Unit 7 Lesson 1 Tesccc 2012 free PDF files is convenient, it's important to note that copyright laws must be respected. Always ensure that the PDF files you download are legally available for free. Many authors and publishers voluntarily provide free PDF versions of their work, but it's essential to be cautious and verify the authenticity of the source before downloading Geometry Unit 7 Lesson 1 Tesccc 2012. In conclusion, the internet offers numerous platforms and websites that allow users to download free PDF files legally. Whether it's classic literature, research papers, or magazines, there is something for everyone. The platforms mentioned in this article, such as Project Gutenberg, Open Library, Academia.edu, and Issuu, provide access to a vast collection of PDF files. However, users should always be cautious and verify the legality of the source before downloading Geometry Unit 7 Lesson 1 Tesccc 2012 any PDF files. With these platforms, the world of PDF downloads is just a click away.

FAQs About Geometry Unit 7 Lesson 1 Tesccc 2012 Books

How do I know which eBook platform is the best for me? Finding the best eBook platform depends on your reading preferences and device compatibility. Research different platforms, read user reviews, and explore their features before making a choice. Are free eBooks of good quality? Yes, many reputable platforms offer high-quality free eBooks, including classics and public domain works. However, make sure to verify the source to ensure the eBook credibility. Can I read eBooks without an eReader? Absolutely! Most eBook platforms offer web-based readers or mobile apps that allow you to read eBooks on your computer, tablet, or smartphone. How do I avoid digital eye strain while reading eBooks? To prevent digital eye strain, take regular breaks, adjust the font size and background color, and ensure proper lighting while reading eBooks. What the advantage of interactive eBooks? Interactive eBooks incorporate multimedia elements, quizzes, and activities, enhancing the reader engagement and providing a more immersive learning experience. Geometry Unit 7 Lesson 1 Tesccc 2012 is one of the best book in our library for free trial. We provide copy of Geometry Unit 7 Lesson 1 Tesccc 2012 in digital format, so the resources that you find are reliable. There are also many Ebooks of related with Geometry Unit 7 Lesson 1 Tesccc 2012. Where to download Geometry Unit 7 Lesson 1 Tesccc 2012 online for free? Are you looking for Geometry Unit 7 Lesson 1 Tesccc 2012 PDF? This is definitely going to save you time and cash in something you should think about.

Find Geometry Unit 7 Lesson 1 Tesccc 2012 :

[kako pomoci bolesnima](#)

kai aus der kiste eine ganz unglaubliche geschichte lernmaterialien

justin smith morrill

justice for all people louis d. brandeis

[kaplan newsweek college catalog 1998 information on more than 1000 colleges plus in-depth profiles on h](#)

[kakadu reflections](#)

[karmannyi rubkoangliiskii slovar tovarosoprovoditelnoi dokumentatsii](#)

[kansas state wildcat handbook](#)

karate kids want to win

[kalpavrksa ebays on art architecture and archaeology](#)

[justin obrien image and icon](#)

[kaleidoscope bk. 4 reading and writing](#)

kate bonnet. the romance of a pirates daughter.

karel appel

~~juvenilia 1829-1835~~

Geometry Unit 7 Lesson 1 Tesccc 2012 :

why new orleans matters kindle edition amazon com - Oct 31 2021

web aug 25 2015 in why new orleans matters first published only months after the disaster award winning author and longtime new orleans resident tom piazza illuminates the

why new orleans matters better world books - Sep 10 2022

web aug 19 2008 why new orleans matters by tom piazza paperback book 197 pages see other available editions description award winning novelist and cultural critic tom

why new orleans matters by tom piazza open library - Dec 13 2022

web why new orleans matters by tom piazza 2006 regan books edition in english 1st ed

[why new orleans matters 2005 edition open library](#) - Mar 04 2022

web why new orleans matters by tom piazza tom piazza 2005 reganbooks edition in english 1st ed

[why new orleans matters 2015 edition open library](#) - Jun 19 2023

web why new orleans matters by tom piazza 2015 harpercollins publishers edition in english

why new orleans matters on apple books - Mar 16 2023

web why new orleans matters tom piazza 9 99 publisher description tom piazza s award winning portrait of a city in crisis with a new preface from the author ten years after ten

why new orleans matters by tom piazza open library - Feb 03 2022

web nov 22 2005 why new orleans matters by tom piazza tom piazza november 22 2005 harper edition hardcover in english

why new orleans matters by tom piazza goodreads - Aug 21 2023

web nov 22 2005 in why new orleans matters award winning author and new orleans resident tom piazza illuminates the storied culture and uncertain future of this great and

[why new orleans matters 2007 edition open library](#) - May 18 2023

web jul 8 2019 why new orleans matters by tom piazza tom piazza 2007 harpercollins edition electronic resource in english

why new orleans matters english edition web mei - Jun 07 2022

web 4 why new orleans matters english edition 2020 05 25 perspective takes in language from cockney to creole aboriginal english to zummerzet estuary english to

editions of why new orleans matters by tom piazza goodreads - Sep 22 2023

web editions for why new orleans matters 0061124834 hardcover published in 2005 0061131504 paperback published in 2008 kindle edition published in 20

why new orleans matters english edition kindle editie - Dec 01 2021

web why new orleans matters english edition ebook piazza tom amazon nl kindle store

sam altman to return as ceo of openai openai the guardian - Apr 05 2022

web 2 days ago first published on wed 22 nov 2023 01 35 est sam altman is to return as chief executive of openai after the chatgpt developer said it had reached an

why new orleans matters english edition kindle edition - Jul 08 2022

web why new orleans matters english edition ebook piazza tom amazon de kindle store

download why new orleans matters pdf by tom piazza - Aug 09 2022

web in the preface to this new edition piazza considers how far the city has come in the decade since katrina as well as the challenges it still faces and reminds us that people in

why new orleans matters kindle edition amazon com - Jan 14 2023

web oct 13 2009 in why new orleans matters award winning author and new orleans resident tom piazza illuminates the storied culture and uncertain future of this great and

why new orleans matters by tom piazza paperback - Jul 20 2023

web aug 25 2015 now he revisits why new orleans matters and in an all new foreword for this edition re examines the story of katrina as a cautionary tale for a nation that has

why new orleans matters overdrive - Nov 12 2022

web aug 25 2015 tom piazza s award winning portrait of a city in crisis with a new preface from the author ten years after ten years ago in the aftermath of hurricane katrina and

[why new orleans matters on apple books](#) - Feb 15 2023

web oct 13 2009 in why new orleans matters award winning author and new orleans resident tom piazza illuminates the storied culture and uncertain future of this great and

why new orleans matters piazza tom free download - Oct 23 2023

web sep 27 2011 why new orleans matters piazza tom free download borrow and streaming internet archive

why new orleans matters 2007 edition open library - Jan 02 2022

web why new orleans matters by tom piazza 2007 harpercollins publishers edition in english

why new orleans matters english edition kindle edition - Oct 11 2022

web why new orleans matters english edition ebook piazza tom amazon nl kindle store

why new orleans matters november 22 2005 edition open - Apr 17 2023

web nov 22 2005 *why new orleans matters* by tom piazza tom piazza november 22 2005 harper edition in english

new orleans review since 1968 - May 06 2022

web an anecdotal history of art according to matthew collings part 3 the ecstasy of color art column by emily farranto in parts 1 and 2 of this three part piece i addressed

25 jahre motomania sonderband zum jubiläum by holger aue - Jul 20 2023

web abenteuer mit motorrädern motomania bei louis kaufen louis motorrad bekleidung 25

motomania band 15 der lustigste comicband für alle - Feb 15 2023

web motomania band 15 der lustigste comicband für alle motorradfans aue holger

25 jahre motomania sonderband zum jubilaum pdf full pdf - Nov 12 2022

web web2 25 jahre motomania sonderband zum jubilaum 2023 01 20 25 jahre

25 jahre motomania sonderband zum jubilaum sigfred - Jan 02 2022

web 25 jahre motomania sonderband zum jubilaum 25 jahre motomania sonderband

25 jahre scooter wir haben einfach immer weitergemacht - Aug 09 2022

web aug 9 2018 vor dem konzert in hamburg am 17 august hat frontmann h p baxxter

25 jahre motomania sonderband zum jubiläum gebundene - Oct 23 2023

web zum 25 jährigem jubiläum seiner cartoon und comic reihe motomania ist dieses

25 jahre motomania sonderband zum jubilaum copy - Jun 07 2022

web 25 jahre motomania sonderband zum jubilaum when somebody should go to the

25 jahre motomania sonderband zum jubilaum book - Mar 16 2023

web 25 jahre motomania sonderband zum jubilaum the recorder jul 11 2023 a choice

25 jahre motomania sonderband zum jubilaum sigfred - May 18 2023

web 25 jahre motomania sonderband zum jubilaum 25 jahre motomania sonderband

25 jahre motomania sonderband zum jubilaum jurgen - Oct 11 2022

web 25 jahre motomania sonderband zum jubilaum getting the books 25 jahre

25 jahre motomania sonderband zum jubilaum mario franz - May 06 2022

web 25 jahre motomania sonderband zum jubilaum 25 jahre motomania sonderband

25 jahre motomania sonderband zum jubiläum by holger aue - Feb 03 2022

web sep 18 2023 bestellen 0c430 25 jahre motomania sonderband zum jubilaum online

25 jahre motomania sonderband zum jubilaum 2022 - Apr 05 2022

web 25 jahre motomania sonderband zum jubilaum maus vol 2 international sale

[25 jahre motomania sonderband zum jubilaum ftp dartgo](#) - Dec 13 2022

web 25 jahre motomania sonderband zum jubilaum 3 3 on a piece of paper in a recently

[25 jahre motomania sonderband zum jubilaum nysm pfi org](#) - Sep 22 2023

web 25 jahre motomania sonderband zum jubilaum 25 jahre motomania sonderband

25 jahre motomania sonderband zum jubilaum - Sep 10 2022

web 25 jahre motomania sonderband zum jubilaum 25 jahre motomania sonderband

[25 jahre motomania sonderband zum jubilaum 2022](#) - Apr 17 2023

web 4 25 jahre motomania sonderband zum jubilaum 2022 02 16 all good things must

25 jahre motomania sonderband zum jubilaum donate pfi org - Jun 19 2023

web rather than enjoying a good pdf subsequent to a mug of coffee in the afternoon

25 jahre motomania sonderband zum jubilaum ella summers - Dec 01 2021

web computer 25 jahre motomania sonderband zum jubilaum is straightforward in our

motomania band 12 aue holger amazon de bücher - Jan 14 2023

web 21 99 1 neu ab 21 99 wenn hinnerk harry und konsorten mit ihren maschinen die

no turning back 25 jaar facebook - Mar 04 2022

web no turning back 25 jaar 3 likes musician band

[amazon de kundenrezensionen 25 jahre motomania](#) - Aug 21 2023

web finde hilfreiche kundenrezensionen und rezensionsbewertungen für 25 jahre

25 jahre motomania sonderband zum jubilaum 2022 ci kubesail - Jul 08 2022

web 4 25 jahre motomania sonderband zum jubilaum 2023 02 11 desperate to protect

maine rhode island get ready for hurricane lee weather com - Jul 01 2022

web 1 day ago a state of emergency has been declared in maine and residents in much of new england are being told to

check their emergency supplies use caution in coastal areas

[touch tome 14 touch 14 adachi mitsuru amazon com tr](#) - Aug 14 2023

web arama yapmak istediğiniz kategoriye seçin

touch tome 14 by mitsuru adachi f1test f1experiences - May 19 2021

web jun 12 2023 just mentioned the touch tome 14 by mitsuru adachi is widely suitable with any devices to download it will

immensely ease you to see tutorial touch tome

[touch tome 14 french edition kindle comixology](#) - Jan 07 2023

web nov 27 2019 touch tome 14 french edition kindle edition by adachi mitsuru download it once and read it on your kindle device pc phones or tablets use features

tetris meets castle defense in castle master td from dragon - Jan 27 2022

web 23 hours ago posted on september 14 2023 by jared nelson toucharcade covers the latest games and apps for apple s iphone and ipod touch we are the largest site

touch tome 14 by mitsuru adachi stag butterfield - Apr 17 2021

web jun 13 2023 furthermore one of the elements by procuring the digital documents of this touch tome 14 by mitsuru adachi by online google translate amnesia memories

touchtome14 pdf old arianavara - Feb 08 2023

web touch a denazen novel book 1 touch alter ego touchtome14 downloaded from old arianavara com by guest conrad glass smart boys fast girls glénat manga

touch tome 14 paperback 19 sept 2007 amazon co uk - May 11 2023

web buy touch tome 14 by adachi mitsuru isbn 9782723456319 from amazon s book store everyday low prices and free delivery on eligible orders

touch tome 14 by mitsuru adachi reserve lasd org - Mar 17 2021

web aug 2 2023 touch tome 14 by mitsuru adachi if you cant change the time or time apple support touch u touch me touch inazuma shop one touch prague tome

touch 14 bölüm koreantürk kore dizileri - Jul 13 2023

web feb 22 2020 touch 14 bölüm koreantürk kore dizilerini türkçe altyazılı olarak koreanturk com farkıyla izleyebilirsiniz indirmek için tıkla touch 1 bölüm sitemizde

touch tome 14 pdf voto unéal edu br - Dec 26 2021

web touch tome 14 pdf upload dona d boyle 2 9 downloaded from voto unéal edu br on august 18 2023 by dona d boyle the promise any method page 61 the

harlan coben s shelter episode 5 recap see me feel me - Sep 03 2022

web 23 hours ago rachel finally points this out to him in see me feel me touch me heal me season 1 episode 5 in the direct aftermath of their run in with octoface where after

touch tome 14 by mitsuru adachi bueng - Jun 19 2021

web jun 3 2023 you could buy guide touch tome 14 by mitsuru adachi or get it as soon as achievable we settle for touch tome 14 by mitsuru adachi and abundant books archives

touch tome 14 by mitsuru adachi media joomlashine com - May 31 2022

web tome 14 the beast shlmo in absentia tome 1 boomkat volume 14 overlord reddit iphone apple touch rugby rules utah warriors rugby touch tones music soft

touch tome 14 adachi mitsuru amazon de books - Mar 09 2023

web sorry there was a problem saving your cookie preferences try again

desantis defies science cdc on new covid vaccine good - Mar 29 2022

web 1 day ago desantis bravely goes anti vax on new covid booster enough trying to protect floridians floridians and other folks who get their health advice from dr desantis are

touch tome 14 by mitsuru adachi f1test f1experiences - Jul 21 2021

web may 31 2023 touch tome 14 by mitsuru adachi recently my wife s phone started acting weird in that when connected in a phone call pressing the touch tone keypad is not

touch tome 14 pdf download sbrick com - Aug 22 2021

web touch tome 14 pdf 3 3 downloaded from download sbrick com on january 17 2023 by guest getastet to touch touched touched antasten tastete an angetastet to

touch tome 14 by mitsuru adachi media joomlashine com - Apr 29 2022

web touch tome 14 by mitsuru adachi amounting to hundreds of thousands of files these collections include various image ebook and software archives as of right now the trove

man arrested for groping spanish tv reporter isa balado live on air - Oct 04 2022

web 1 day ago published sep 14 2023 10 17 a m et 0 of 58 secondsvolume 0 00 00 00 58 a spanish television reporter was in the middle of a live broadcast from the streets

touch tome 14 by mitsuru adachi - Nov 24 2021

web aug 18 2023 the unofficial elder scrolls pages uesp otome ykai zakuro le touch tome telephone has arrived dogelore tome fall 2016 ready to wear collection vogue

touch tome 14 touch 14 adachi mitsuru amazon com au - Apr 10 2023

web select the department you want to search in

vikings 28 34 eagles sep 14 2023 game recap espn - Aug 02 2022

web 18 hours ago kirk cousins hit jordan addison for a 62 yard touchdown that made it 27 14 in the fourth and found k j osborn for a 10 yard td that cut it to 27 21 and put the

touch tome 14 by mitsuru adachi graphscan cookiefirst - Oct 24 2021

web you could not be baffled to enjoy every book compilations touch tome 14 by mitsuru adachi that we will definitely offer le touch tome telephone has arrived dogelore use

[touch tome 14 help environment harvard edu](#) - Feb 25 2022

web touch tome 14 right here we have countless books touch tome 14 and collections to check out we additionally meet the expense of variant types and in addition to type of

touch tome 14 by mitsuru adachi online popcom gov - Sep 22 2021

web jun 18 2023 harmful bugs inside their computer touch tome 14 by mitsuru adachi is obtainable in our literature collection an online access to it is set as public so you can get

touch tome 14 touch 14 french edition paperback - Nov 05 2022

web sep 19 2007 amazon com touch tome 14 touch 14 french edition 9782723456319 adachi mitsuru books

touch tome 14 paperback 19 september 2007 amazon in - Dec 06 2022

web amazon in buy touch tome 14 book online at best prices in india on amazon in read touch tome 14 book reviews author details and more at amazon in free delivery on

[amazon co uk customer reviews touch tome 14](#) - Jun 12 2023

web find helpful customer reviews and review ratings for touch tome 14 at amazon com read honest and unbiased product reviews from our users