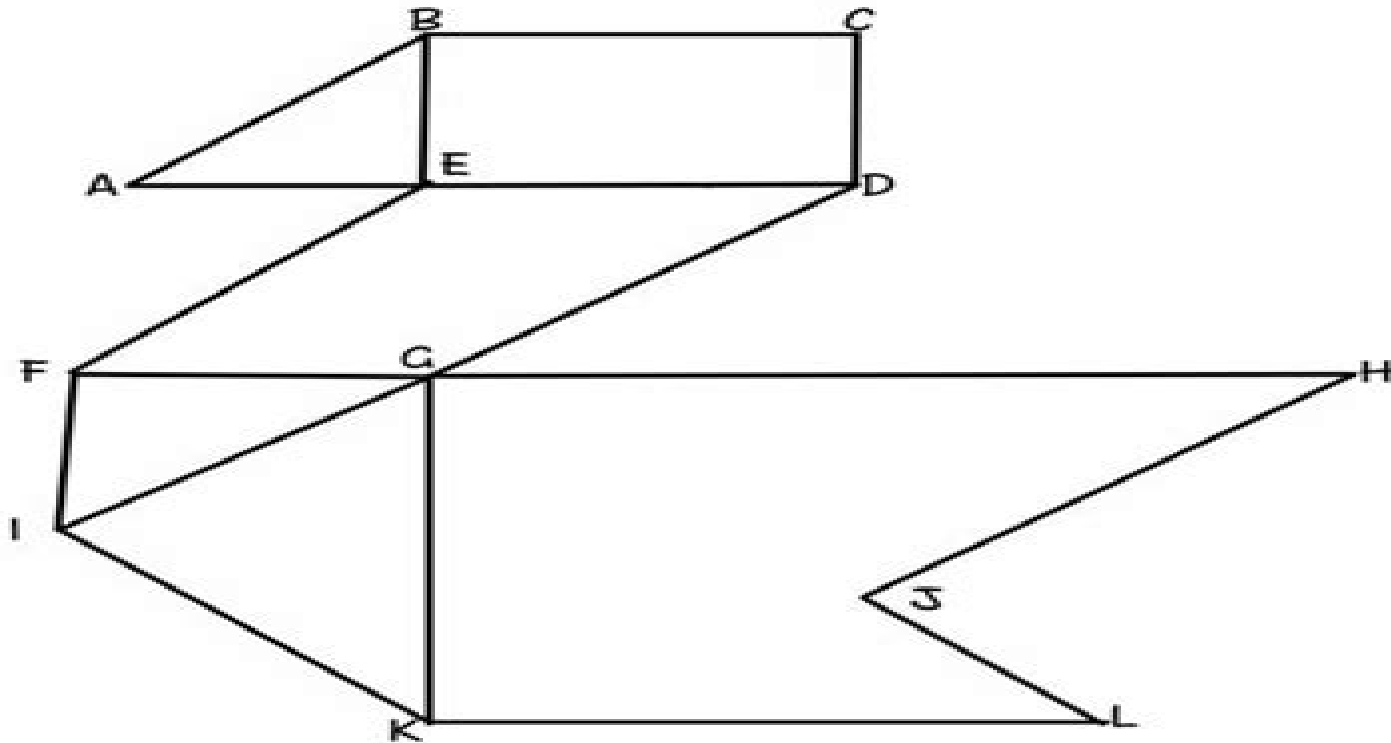


Name :

Date:

Measuring Line Segments

Measure the line segments with the help of a ruler.



1. $AB =$ _____

2. $BC =$ _____

3. $AD =$ _____

4. $DI =$ _____

5. $FH =$ _____

6. $KL =$ _____

Geometry Putting It All Together Worksheet Answers

M Walker



Geometry Putting It All Together Worksheet Answers:

Today's Mathematics, Activities and Instructional Ideas James W. Heddens, William R. Speer, 2000-08-31 This classic allows readers to easily build a valuable set of ideas and reference materials for actual classroom use Designed to aid the teacher in understanding mathematical concepts and relationships the authors reflect recent recommendations from the National Council of Teachers of Mathematics Standards 2000 [Exceptional Child Education Resources](#) ,1999 **A**

Primer of GIS, Second Edition Francis Harvey, 2015-10-29 This accessible text prepares students to understand and work with geographic information systems GIS offering a detailed introduction to essential theories concepts and skills The book is organized in four modular parts that can be used in any sequence in entry level and more specialized courses Basic cartographic principles are integrated with up to date discussions of GIS technologies and applications Coverage includes everything from what geographic information is to its many uses and societal implications Practical examples and exercises invite readers to explore the choices involved in producing reliable maps and other forms of geographic information Illustrations include 170 figures with 15 in color The companion website provides links to Web resources for each chapter plus downloadable PowerPoint slides of most of the figures New to This Edition Chapter on online mapping and Big Data New and updated discussions of remote sensing vector and raster data models location privacy uses of geocoding and other timely topics Chapter on the many uses of GIS such as in market analyses emergency responding and tracking of epidemics Section overviews and an end of book glossary Pedagogical Features Modules and individual chapters can be used sequentially or in any order End of chapter review questions with answers exercises and extended exercises for applying theories and concepts In Depth sidebars offering a closer look at key concepts and applications End of chapter links to relevant Web resources [Resources in Education](#) ,1990 **Five Strands of Math - Drills Big Book Gr. 6-8** Nat Reed, Mary Rosenberg, Chris Forest, 2011-03-02 Become an expert of the Five Strands of Math with our 5 book BUNDLE Our resource provides warm up and timed drill activities to practice procedural proficiency skills Start off by extending your knowledge of Numbers and Operations by exploring the least common multiple Then get excited about more advanced Algebraic equations with linear functions Explore trapezoids and finding their missing angles with Geometry Become adept at Measurement by examining the formulas for calculating area perimeter and surface area Finally fully comprehend Data that is displayed in charts by converting information into percents ratios and fractions The drill sheets provide a leveled approach to learning starting with grade 6 and increasing in difficulty to grade 8 Aligned to your State Standards and meeting the concepts addressed by the NCTM standards reproducible drill sheets review and answer key are included

Writing in the Teaching and Learning of Mathematics John Meier, Thomas Rishel, 1998-09-17 This book examines the hows and whys of writing in mathematics **Key Maths 9/1 Teacher File- Revised** David Baker, Paul Hogan, Barbara Job, Irene Patricia Verity, 2014-11 Fully in line with the Framework for Teaching Mathematics this series provides coverage of

the curriculum intended to enable students to revise and consolidate key concepts Every chapter contains questions in the style of the National Tests The three Ma1 tasks in every students book have detailed marking guidance in the equivalent teacher file to support key assessment at the end of the key stage The last resource section of this file contains a series of summary activities for new or previously absent teachers or pupils covering all the chapters Additions such as question banks and ICT CD ROMs are available to provide further support

Late-Talking Children, revised and expanded edition

Stephen M. Camarata,2025-05-20 A revised and expanded edition of the bestselling guide to late talking children for parents clinicians and educators from a leading authority on development and disabilities Every year in America more than half a million parents of late talking children face agonizing questions What should I do if my two or even three year old has not yet begun to talk Should I worry that my child is autistic or intellectually disabled Are expensive therapies or medications needed Will my child ever speak normally In this revised and expanded edition of the essential resource on the subject Late Talking Children Stephen Camarata the parent of a late talking child and a late talker himself provides clear sensible and compassionate answers for parents clinicians and educators drawing on his more than three decades of experience diagnosing and treating the late talking syndrome as well as the best science available today

New National Framework

Mathematics 9 Core Teacher Planning Pack M. J. Tipler,2014-11 New National Framework Mathematics features extensive teacher support materials which include dedicated resources to support each Core and Plus Book The 9 Core Teacher Planning Pack contains Teacher Notes for every chapter with a Self contained lesson plan for each of the units in the pupil books

Expecting Excellence in Urban Schools Jelani Jabari,2013-04-17 One of the most immediate challenges in K 12 schools lies in implementing powerful pedagogy which emotionally intellectually and behaviorally engages students The challenge is compounded in urban schools where higher proportions of underprepared minority students are in classrooms with teachers who find it difficult to not only create bonds but also in packaging pedagogy in relevant interesting and meaningful ways Though many teachers can temporarily tap students interests or episodically engage students in a portion of a lesson the ability to create and sustain an engaging educational practice remains largely elusive This book supplies the missing threads through establishing a framework for student engagement which has been cited as the number one factor impacting achievement It is an easy read written a highly conversational tone with a strong research basis You will explore a 7 step process for emotionally intellectually and behaviorally engaging students with a wealth of specific strategies techniques and tools which create an engaging educational experience Utilizing cornerstones of professional learning communities suggestions are offered for utilizing action research collaborative inquiry journal study and shared practice to integrate ideas into practice

Five Strands of Math - Drills Big Book Gr. PK-2 Nat Reed,Mary Rosenberg,Chris

Forest,Tanya Cook,2011-03-01 Practice the basic concepts learned in the Five Strands of Math with our 5 book BUNDLE Our resource provides warm up and timed drill activities to practice procedural proficiency skills Start by getting hands on with

everyday Number Operations Count the number of base ten blocks then find the fractions Get comfortable with basic Algebra concepts Find the number that is missing from an addition or subtraction sentence Start identifying shapes all around you with Geometry Match plane shapes with the solid versions Make Measurement estimations and choose the right unit of measure Understand a set of Data and answer some Probability questions The drill sheets provide a leveled approach to learning starting with prekindergarten and increasing in difficulty to grade 2 Aligned to your State Standards and meeting the concepts addressed by the NCTM standards reproducible drill sheets review and answer key are included

Fluid Mechanics and Thermodynamics of Turbomachinery Dan Zhao,S. Larry Dixon,Cesare Hall,2025-05-05 Fluid Mechanics and Thermodynamics of Turbomachinery Eighth Edition is the leading turbomachinery book with its balanced coverage of theory and application Starting with background principles in fluid mechanics and thermodynamics this updated edition goes on to discuss axial flow turbines and compressors centrifugal pumps fans and compressors and radial flow gas turbines hydraulic turbines and wind turbines Used as a core text in senior undergraduate and graduate level courses this book will also appeal to professional engineers in the aerospace global power oil gas and other industries who are involved in the design and operation of turbomachines Provides the most comprehensive coverage of turbomachinery fundamentals of any text in the field Examines through the laws of fluid mechanics and thermodynamics the means by which energy transfer is achieved in the chief types of turbomachines together with the differing behavior of individual types in operation Discusses important aspects concerning the criteria of blade selection and blade manufacture control methods for regulating power output and rotor speed and performance testing Includes coverage of public and environmental issues which are becoming increasingly important as they can affect the development of wind turbines Online teaching ancillaries include a fully updated solutions manual and image bank

Proceedings of the European Cognitive Science Conference 2007 Stella Vosniadou,Daniel Kayser,Athanassios Protopapas,2017-09-29 This volume contains the invited lectures invited symposia symposia papers and posters presented at the 2nd European Cognitive Science Conference held in Greece in May 2007 The papers presented in this volume range from empirical psychological studies and computational models to philosophical arguments meta analyses and even to neuroscientific experimentation The quality of the work shows that the Cognitive Science Society in Europe is an exciting and vibrant one There are 210 contributions by cognitive scientists from 27 different countries including USA France UK Germany Greece Italy Belgium Japan Spain the Netherlands and Australia This book will be of interest to anyone concerned with current research in Cognitive Science

ENC Focus ,1994

Math Phonics - Multiplication (eBook) Marilyn B. Hein,1996-03-01 Math Phonics is a specially designed program for teaching the mastery of basic math concepts and facts The name Math Phonics tm is used because the rules patterns and memory techniques developed for this program are similar to those used in language arts Most of the rules are short and easy to learn Children are taught to look for patterns and use them Repetition and drill are the keys In just minutes a day your students can master

the multiplication facts 0 through 12 **Math Phonics - Multiplication** Marilyn B. Hein,1996-03-01 Math Phonics tm is a specially designed program for teaching the mastery of basic math concepts and facts The name Math Phonics tm is used because the rules patterns and memory techniques developed for this program are similar to those used in language arts Most of the rules are short and easy to learn Children are taught to look for patterns and use them Repetition and drill are the keys In just minutes a day your students can master the multiplication facts 0 through 12 **Necessary Conditions** Geoff Krall,2023-10-10 During his years working as an instructional coach for a national network of schools Geoff Krall had the chance to witness several inspirational moments when math class comes alive for middle or high school students when it is challenging but also fun creative and interactive In Necessary Conditions Teaching Secondary Math with Academic Safety Quality Tasks and Effective Facilitation Krall documents the essential ingredients that produce these sorts of moments on a regular basis and for all students They are Academic Safety Quality Tasks and Effective Facilitation Academic Safety Krall implements equitable classroom experiences that help fight stigmas associated with race and gender in schools This allows students to feel socially and emotionally secure while nurturing their identities as mathematicians and increasing engagement during classroom discussions Quality Tasks Teachers can adapt or create dynamic student centered lessons that break down math into small manageable sections removing the frustrations felt by students who aren t considered math people Effective Facilitation This book shows how to incorporate teaching moves and math routines designed for engagement persistence and interactivity Teachers can allow students to explore safely while maintaining consistent classroom expectations My work as a math instructional coach for a network of schools has afforded me the unique opportunity to visit exceptional teachers across the country documenting their tasks teaching moves and academically safe learning environments You ll experience dispatches from these effective classrooms in which we ll observe how teachers attend to all three elements that make up the ecosystem Geoff Krall from his book Necessary Conditions **Blended Learning: Concepts, Methodologies, Tools, and Applications** Management Association, Information Resources,2016-08-18 Traditional classroom learning environments are quickly becoming a thing of the past as research continues to support the integration of learning outside of a structured school environment Blended learning in particular offers the best of both worlds combining classroom learning with mobile and web based learning environments Blended Learning Concepts Methodologies Tools and Applications explores emerging trends case studies and digital tools for hybrid learning in modern educational settings Focusing on the latest technological innovations as well as effective pedagogical practice this critical multi volume set is a comprehensive resource for instructional designers educators administrators and graduate level students in the field of education **User Modeling, Adaptation and Personalization** Joseph Konstan,Ricardo Conejo,Jose L. Marzo,Nuria Oliver,2011-06-28 This book constitutes the proceedings of the third annual conference under the UMAP title aptation which resulted from the merger in 2009 of the successful biannual User Modeling UM and Adaptive

Hypermedia AH conference series held on Girona Spain in July 2011 The 27 long papers and 6 short papers presented together with 15 doctoral consortium papers 2 invited talks and 3 industry panel papers were carefully reviewed and selected from 164 submissions The tutorials and workshops were organized in topical sections on designing adaptive social applications semantic adaptive social Web and designing and evaluating new generation user modeling **New National Framework Mathematics** M. J. Tipler, Jocelyn Douglas, 2004 This Teacher Support file comprehensively supports the New National Framework Mathematics 8 pupil book which is an ideal resource for lower ability pupils targeting National Curriculum Levels 4 5

Unveiling the Energy of Verbal Art: An Psychological Sojourn through **Geometry Putting It All Together Worksheet Answers**

In some sort of inundated with monitors and the cacophony of instant conversation, the profound energy and emotional resonance of verbal art often fade into obscurity, eclipsed by the constant barrage of sound and distractions. However, located within the lyrical pages of **Geometry Putting It All Together Worksheet Answers**, a fascinating work of literary splendor that impulses with natural emotions, lies an memorable trip waiting to be embarked upon. Published by way of a virtuoso wordsmith, this exciting opus guides visitors on an emotional odyssey, gently revealing the latent possible and profound influence stuck within the complicated internet of language. Within the heart-wrenching expanse of the evocative analysis, we shall embark upon an introspective exploration of the book is main styles, dissect their interesting writing design, and immerse ourselves in the indelible impression it leaves upon the depths of readers souls.

https://staging.conocer.cide.edu/public/virtual-library/Download_PDFS/great_basin_anthropology_a_bibliography.pdf

Table of Contents Geometry Putting It All Together Worksheet Answers

1. Understanding the eBook Geometry Putting It All Together Worksheet Answers
 - The Rise of Digital Reading Geometry Putting It All Together Worksheet Answers
 - Advantages of eBooks Over Traditional Books
2. Identifying Geometry Putting It All Together Worksheet Answers
 - Exploring Different Genres
 - Considering Fiction vs. Non-Fiction
 - Determining Your Reading Goals
3. Choosing the Right eBook Platform
 - Popular eBook Platforms
 - Features to Look for in an Geometry Putting It All Together Worksheet Answers
 - User-Friendly Interface
4. Exploring eBook Recommendations from Geometry Putting It All Together Worksheet Answers

- Personalized Recommendations
 - Geometry Putting It All Together Worksheet Answers User Reviews and Ratings
 - Geometry Putting It All Together Worksheet Answers and Bestseller Lists
5. Accessing Geometry Putting It All Together Worksheet Answers Free and Paid eBooks
 - Geometry Putting It All Together Worksheet Answers Public Domain eBooks
 - Geometry Putting It All Together Worksheet Answers eBook Subscription Services
 - Geometry Putting It All Together Worksheet Answers Budget-Friendly Options
 6. Navigating Geometry Putting It All Together Worksheet Answers eBook Formats
 - ePub, PDF, MOBI, and More
 - Geometry Putting It All Together Worksheet Answers Compatibility with Devices
 - Geometry Putting It All Together Worksheet Answers Enhanced eBook Features
 7. Enhancing Your Reading Experience
 - Adjustable Fonts and Text Sizes of Geometry Putting It All Together Worksheet Answers
 - Highlighting and Note-Taking Geometry Putting It All Together Worksheet Answers
 - Interactive Elements Geometry Putting It All Together Worksheet Answers
 8. Staying Engaged with Geometry Putting It All Together Worksheet Answers
 - Joining Online Reading Communities
 - Participating in Virtual Book Clubs
 - Following Authors and Publishers Geometry Putting It All Together Worksheet Answers
 9. Balancing eBooks and Physical Books Geometry Putting It All Together Worksheet Answers
 - Benefits of a Digital Library
 - Creating a Diverse Reading Collection Geometry Putting It All Together Worksheet Answers
 10. Overcoming Reading Challenges
 - Dealing with Digital Eye Strain
 - Minimizing Distractions
 - Managing Screen Time
 11. Cultivating a Reading Routine Geometry Putting It All Together Worksheet Answers
 - Setting Reading Goals Geometry Putting It All Together Worksheet Answers
 - Carving Out Dedicated Reading Time
 12. Sourcing Reliable Information of Geometry Putting It All Together Worksheet Answers

- Fact-Checking eBook Content of Geometry Putting It All Together Worksheet Answers
 - Distinguishing Credible Sources
13. Promoting Lifelong Learning
- Utilizing eBooks for Skill Development
 - Exploring Educational eBooks
14. Embracing eBook Trends
- Integration of Multimedia Elements
 - Interactive and Gamified eBooks

Geometry Putting It All Together Worksheet Answers Introduction

In the digital age, access to information has become easier than ever before. The ability to download Geometry Putting It All Together Worksheet Answers has revolutionized the way we consume written content. Whether you are a student looking for course material, an avid reader searching for your next favorite book, or a professional seeking research papers, the option to download Geometry Putting It All Together Worksheet Answers has opened up a world of possibilities. Downloading Geometry Putting It All Together Worksheet Answers provides numerous advantages over physical copies of books and documents. Firstly, it is incredibly convenient. Gone are the days of carrying around heavy textbooks or bulky folders filled with papers. With the click of a button, you can gain immediate access to valuable resources on any device. This convenience allows for efficient studying, researching, and reading on the go. Moreover, the cost-effective nature of downloading Geometry Putting It All Together Worksheet Answers has democratized knowledge. Traditional books and academic journals can be expensive, making it difficult for individuals with limited financial resources to access information. By offering free PDF downloads, publishers and authors are enabling a wider audience to benefit from their work. This inclusivity promotes equal opportunities for learning and personal growth. There are numerous websites and platforms where individuals can download Geometry Putting It All Together Worksheet Answers. These websites range from academic databases offering research papers and journals to online libraries with an expansive collection of books from various genres. Many authors and publishers also upload their work to specific websites, granting readers access to their content without any charge. These platforms not only provide access to existing literature but also serve as an excellent platform for undiscovered authors to share their work with the world. However, it is essential to be cautious while downloading Geometry Putting It All Together Worksheet Answers. Some websites may offer pirated or illegally obtained copies of copyrighted material. Engaging in such activities not only violates copyright laws but also undermines the efforts of authors, publishers, and researchers. To ensure ethical downloading, it is advisable to utilize reputable websites that prioritize the legal distribution of content. When

downloading Geometry Putting It All Together Worksheet Answers, users should also consider the potential security risks associated with online platforms. Malicious actors may exploit vulnerabilities in unprotected websites to distribute malware or steal personal information. To protect themselves, individuals should ensure their devices have reliable antivirus software installed and validate the legitimacy of the websites they are downloading from. In conclusion, the ability to download Geometry Putting It All Together Worksheet Answers has transformed the way we access information. With the convenience, cost-effectiveness, and accessibility it offers, free PDF downloads have become a popular choice for students, researchers, and book lovers worldwide. However, it is crucial to engage in ethical downloading practices and prioritize personal security when utilizing online platforms. By doing so, individuals can make the most of the vast array of free PDF resources available and embark on a journey of continuous learning and intellectual growth.

FAQs About Geometry Putting It All Together Worksheet Answers Books

What is a Geometry Putting It All Together Worksheet Answers PDF? A PDF (Portable Document Format) is a file format developed by Adobe that preserves the layout and formatting of a document, regardless of the software, hardware, or operating system used to view or print it. **How do I create a Geometry Putting It All Together Worksheet Answers PDF?** There are several ways to create a PDF: Use software like Adobe Acrobat, Microsoft Word, or Google Docs, which often have built-in PDF creation tools. Print to PDF: Many applications and operating systems have a "Print to PDF" option that allows you to save a document as a PDF file instead of printing it on paper. Online converters: There are various online tools that can convert different file types to PDF. **How do I edit a Geometry Putting It All Together Worksheet Answers PDF?** Editing a PDF can be done with software like Adobe Acrobat, which allows direct editing of text, images, and other elements within the PDF. Some free tools, like PDFescape or Smallpdf, also offer basic editing capabilities. **How do I convert a Geometry Putting It All Together Worksheet Answers PDF to another file format?** There are multiple ways to convert a PDF to another format: Use online converters like Smallpdf, Zamzar, or Adobe Acrobat's export feature to convert PDFs to formats like Word, Excel, JPEG, etc. Software like Adobe Acrobat, Microsoft Word, or other PDF editors may have options to export or save PDFs in different formats. **How do I password-protect a Geometry Putting It All Together Worksheet Answers PDF?** Most PDF editing software allows you to add password protection. In Adobe Acrobat, for instance, you can go to "File" -> "Properties" -> "Security" to set a password to restrict access or editing capabilities. Are there any free alternatives to Adobe Acrobat for working with PDFs? Yes, there are many free alternatives for working with PDFs, such as: LibreOffice: Offers PDF editing features. PDFsam: Allows splitting, merging, and editing PDFs. Foxit Reader: Provides basic PDF viewing and editing capabilities. How do I compress a PDF file? You can use online tools like Smallpdf,

ILovePDF, or desktop software like Adobe Acrobat to compress PDF files without significant quality loss. Compression reduces the file size, making it easier to share and download. Can I fill out forms in a PDF file? Yes, most PDF viewers/editors like Adobe Acrobat, Preview (on Mac), or various online tools allow you to fill out forms in PDF files by selecting text fields and entering information. Are there any restrictions when working with PDFs? Some PDFs might have restrictions set by their creator, such as password protection, editing restrictions, or print restrictions. Breaking these restrictions might require specific software or tools, which may or may not be legal depending on the circumstances and local laws.

Find Geometry Putting It All Together Worksheet Answers :

[great basin anthropology a bibliography](#)

grandma babas birthday party

[graphics study guide year 11 ncea level 1](#)

graphic arts conference 1972 november 29-december 1.

grandpa and grandma thanks for the memories

[graphic guide to frame construction](#)

graphic design usa no. 16 the annual of the america institute of graphic arts

grandvilles animals

gravure sculpture

grandmother remembers family recipes

[graves ophthalmopathy](#)

[graphic arts encyclopedia](#)

granny green flying detective

grandpa tales

[great american smoothies](#)

Geometry Putting It All Together Worksheet Answers :

anatomy and physiology coloring workbook pearson - Oct 10 2022

jul 14 2021 anatomy and physiology coloring workbook a complete study guide published 2017 need help get in touch

explore schools college work products services pearson resources by discipline mylab

chapter 12 solutions anatomy and physiology coloring - Aug 20 2023

anatomy and physiology coloring workbook 12th edition chapter 12 solutions we have solutions for your book this problem has been solved problem 1mc46 chapter ch12 problem 1mc46 step by step solution step 1 of 6 lymph capillaries are thin walled vessels primarily employed for draining and processing of the extra cellular fluid

anatomy and physiology coloring workbook answers key pdf - Jun 06 2022

anatomy and physiology coloring workbook answers key download read online here essentials of human anatomy physiology gavilan college 2 biological science 15 survey of human anatomy and physiology spring 2009 monday and wednesday 8 45 10 50 ls101 instructor john crocker phone 408 852 2835 genie boom lift annual inspection form

ross wilson anatomy and physiology colouring a elsevier uk - Dec 12 2022

description this workbook aims to help students build their confidence and consolidate their studies in anatomy and physiology fully updated in its sixth edition the workbook provides full page colouring exercises for every system of the body designed to help the reader to test their memory and reinforce their knowledge

anatomy and physiology coloring workbook a complete - Nov 11 2022

jul 14 2021 anatomy and physiology coloring workbook simplifies your study of a p through a wide range of engaging coloring activities exercises and self assessments highlights include new crossword puzzles along with dozens of expanded exercises and illustrations

anatomy and physiology coloring workbook 12th edition - Sep 21 2023

5 minutes ago at quizlet we re giving you the tools you need to take on any subject without having to carry around solutions manuals or printing out pdfs now with expert verified solutions from anatomy and physiology coloring workbook 12th edition you ll learn how to solve your toughest homework problems

anatomy and physiology coloring workbook a complete - Sep 09 2022

pearson higher ed jun 7 2017 medical 416 pages for courses in 1 and 2 semester anatomy physiology simplify your study of anatomy physiology combining a wide range and variety of engaging colouring activities exercises and self assessments into an all in one study guide the anatomy and physiology coloring workbook helps students

anatomy physiology 10th edition chapter 12 the lymphatic - Jul 19 2023

flashcards learn test match created by kat keenan from the coloring workbook marieb questions 4 7 9 13 15 18 21 24 29 31 34 terms in this set 48 a blood reservoir spleen

anatomy physiology coloring workbook a complete study - Mar 15 2023

language english xiii 352 pages 28 cm this workbook is an excellent tool for use by itself or with any human anatomy physiology text along with its review of the human body from microscopic to macroscopic levels the workbook also includes clinically oriented activities

ross wilson anatomy and physiology colouring a - Apr 04 2022

description this workbook aims to help students build their confidence and consolidate their studies in anatomy and physiology fully updated in its sixth edition the workbook provides full page colouring exercises for every system of the body designed to help the reader to test their memory and reinforce their knowledge

anatomy and physiology coloring book pdf - Mar 03 2022

features of anatomy and physiology coloring book pdf following are the features of this book are given below single side page to avoid bleed through have fun while learning a perfect gift for students or anyone interested in human anatomy more than 30 easy to color pages of different anatomical physiological sections

anatomy and physiology colouring and workbook 5th edition - May 17 2023

an understanding of the body s molecular structure underpins the study of all anatomy and physiology this chapter covers basic chemistry and the structures and functions of important biological molecules

lymphaticsystem pdf 202 anatomy physiology coloring - Apr 16 2023

202 anatomy physiology coloring workbook 2 figure 12 1 provides an overview of the lymphatic vessels in part a the relationship between lymphatic vessels and the blood vessels of the cardiovascular system is depicted schematically part b shows the different types of lymphatic vessels in a simple way first color code and color the

anatomy physiology coloring workbook a complete study - Feb 02 2022

anatomy physiology coloring workbook a complete study guide marieb elaine nicpon 1936 author free download borrow and streaming internet archive

anatomy and physiology student workbook 2nd edition - Aug 08 2022

now with expert verified solutions from anatomy and physiology student workbook 2nd edition you ll learn how to solve your toughest homework problems our resource for anatomy and physiology student workbook includes answers to chapter exercises as well as detailed information to walk you through the process step by step

chapter 3 workbook cells and tissues studocu - Jul 07 2022

40 anatomy physiology coloring workbook identify the phases of mitosis depicted in figure 3 7 by inserting the correct name in the blank under the appropriate diagram then select different colors to represent the structures listed below and use them to color in the coding circles and the corresponding structures in the illustration

ross wilson anatomy and physiology colouring and - Jan 13 2023

jan 20 2023 paperback this workbook aims to help students build their confidence and consolidate their studies in anatomy and physiology fully updated in its sixth edition the workbook provides full page colouring exercises for every system of the body designed to help the reader to test their memory and reinforce their knowledge

[anatomy and physiology coloring workbook 11th edition](#) - Jun 18 2023

5 minutes ago find step by step solutions and answers to anatomy and physiology coloring workbook 9780321960771 as well as thousands of textbooks so you can move forward with confidence

ross wilson anatomy and physiology colouring and workbook - Feb 14 2023

nov 2 2022 this workbook aims to help students build their confidence and consolidate their studies in anatomy and physiology fully updated in its sixth edition the workbook provides full page colouring exercises for every system of the body designed to help the reader to test their memory and reinforce their knowledge

chapter 4 workbook skin and body membranes studocu - May 05 2022

62 anatomy physiology coloring workbook figure 4 using the key choices complete the crossword puzzle by answering each of the clues provided key choices dermis as a whole reticular layer stratum granulosum epidermis as a whole stratum basale stratum lucidum papillary layer stratum corneum stratum spinosum across 4

stm32mp15x series interfacing with a mipi csi 2 camera - Apr 15 2023

web this application note provides information on how to interface the stm32mp15x series with a mipi csi 2 camera the stm32mp15x series like the stm32 high performance mcus can address cmos camera sensors through its

interfacing a camera with a microcontroller electronics forum - May 16 2023

web jul 1 2021 how exactly do you want to interface the camera do you want a microcontroller to make the camera take a photo every x seconds or when a sensor detects a certain threshold a self contained camera and memory card example simply trigger the shutter release button

introduction to digital camera interface dcmi for stm32 - Sep 20 2023

web introduction to digital camera interface dcmi for stm32 mcus an5020 application note an5020 rev 3 february 2023 for further information contact your local stmicroelectronics sales office st com 1 1 general information this application note applies to the stm32 series microcontrollers that are arm cortex core based devices

camera interface with a microcontroller arduino forum - Jul 18 2023

web may 6 2021 asfagus november 2 2018 9 55am 1 hi i want to interface a 5mp camera with a microcontroller the overall cost of both must be below 15 dollars i want to simply take a picture and share the raw data image over

camera reference design for arm cortex m - Dec 11 2022

web ti designs camera reference design for arm cortex m microcontrollers mcus description this design implements a network camera with a quarter video graphics array qvga display panel and an embedded web server for remote monitoring *dcmi compatible camera modules for stm32 the grand* - Jan 12 2023

web jun 25 2021 digital camera interface dcmi for stm32 what is it and how does it work millions of devices are powered by

stm32 microcontroller but no dcmi support before 2017 during that time arducam s spi camera solution filled the gap of connecting a camera to these microcontrollers ever since the 2017 st electronics added the dcmi

how to interface the ov7670 camera module with arduino - Aug 19 2023

web may 23 2019 the ov7670 camera module this module allows you to capture images in vga format 640x480 it can perform some initial processing and transfer the images to microcontrollers such as the arduino via the sccb interface the camera unit allows you to form images in other formats like cif 352x240 and others

microcontroller how can i interface my cmos camera module - Nov 10 2022

web once you have the circuit connected electrically then you need to implement the camera control codes this will allow you to at least set the resolution and fps on the camera and probably control when the camera captures images then you need to transfer the image data from the camera to your microcontroller

microcontroller with camera interfacing arduino forum - Apr 03 2022

web may 6 2021 i would like to ask how can i connect the camera as a input for the microcontroller at the same time a accelerometer is another input someone teach me that not all the microcontroller can be used for the camera can someone tell me which model can use for both digital camera and accelerometer thanks a lot

easy image processing camera interfacing for robotics - Sep 08 2022

web figure 1 is a block diagram of a camera interface and object tracking system as you can see the camera is controlled via some of the microcontroller s general purpose i o pins the analog output of the camera is attached to the external a d converter the servos are connected to two more pins of the microcontroller and

spi cameras you can use w any microcontroller arducam - Jul 06 2022

web uvc camera module plug n play usb cameras fitting all platforms supporting video conferencing live streaming spi cameras you can use w any microcontroller exclusive single multiple camera solutions designed for low power applications spi camera series based on 2mp and 5mp sensors

arducam mega 5mp spi camera with esp32 wifi module - Jun 05 2022

web mar 14 2023 the arducam mega camera is a new camera solution recently launched by arducam that simplifies the process of connecting one or more cameras to any microcontroller this camera is specifically designed for low power iot devices embedded machine vision and artificial intelligence applications

how to use ov7670 camera module with arduino circuit digest - Jun 17 2023

web apr 9 2019 in this tutorial we will interface most widely used camera module ov7670 with arduino uno the camera module ov7670 can be interfaced with arduino mega with same pin configuration code and steps the camera module is hard to interface because it has large number of pins and jumbled wiring to carry out

camera interfacing msp low power microcontroller forum - Feb 01 2022

web i have searched for camera sensors which can give the digital data out but their availability is not there agilent's camera sensor can give the output in digital format no video data i want to process please tell me if it is possible to interface a camera module with msp430f6638 microcontroller and if yes which camera module i can use

interfacing the tcm8230md cmos camera with an arm7 - May 04 2022

web this camera has tremendous application to microrobotic systems microcontrollers such as the arm9 have dedicated hardware to simplify interfacing this or any other camera with an integrated circuit 85 mhz 8 bit data bus interface however the arm9 is a more complicated microcontroller to work with both in terms of software and hardware

interfacing camera module with mcu all about circuits - Aug 07 2022

web aug 26 2020 1 hello guys i've got a project i'm working on right now which involves making use of a camera i'd like to know what microcontroller would be the most suitable to interface a camera module to i've tried using the esp32 wifi camera but decided to discard it due to the small frame rate and high latency in my case

arducam mega best camera solution for any microcontroller - Feb 13 2023

web ready for any microcontroller one camera for all this is how arducam mega works it fits any microcontroller with a single standard spi interface either native or mimic one 8 bit 16 bit or 32 bit arm risc v or others literally any only six pins are required

raspberry pi how to interface camera sensor to microcontroller - Oct 09 2022

web apr 28 2020 at 22:41 there are already plenty of reasonably priced sensors that interface directly to the rpi's camera port what more do you need you can combine a sensor with a pi zero for about \$30 and program custom algorithms to your heart's content dave tweed apr 28 2020 at 23:16

interfacing 5mp spi camera with esp32 wifi module how - Mar 14 2023

web jul 26 2023 video tutorial guide overview this tutorial is about arducam mega camera as we will be interfacing this 5mp spi camera with esp32 wifi module recently arducam launched a legendary camera solution that helps you connect one or more cameras to any microcontroller without the least effort

cmos camera interface on a usb microcontroller - Mar 02 2022

web sep 7 2012 1 hi i would like to interface a cmos based camera to a usb device microcontroller i need to use the microcontroller for grabbing frames from the cmos camera and send it to a usb host controller eg a pc i have a cmos camera similar but from different vendor to the one mentioned in the following link

why marigolds are the iconic flower of the day of the dead npr - May 18 2023

web oct 30 2021 the origins of día de los muertos which begins on nov 1 and ends on nov 2 stretches back centuries in

mexico and to a lesser extent a few other latin american countries it s deeply rooted

[day of the dead celebrate día de muertos in 2023 rough guides](#) - Jan 14 2023

web jun 14 2023 mesoamerican origins of day of the dead the origins of day of the dead extends back some 3000 years to the death rituals observed by the mesoamerican nahua people in their world view death did not represent a division from life instead life and death were seen as part of the same cycle humans were viewed as a bridge between

mexico reasons not to celebrate día de los muertos 2022 statista - May 26 2021

web sep 22 2023 published by statista research department sep 22 2023 only 26 percent of mexicans stated that they do not celebrate the day of the dead in 2022 the main reason being their religious beliefs

where and how to celebrate day of the dead in mexico msn - Nov 12 2022

web 4 mexico city in mexico city día de los muertos can be a week long affair the highlight of the capital s festivities is arguably its parade the desfile de día de muertos which was first

[dia de los muertos history origin of an iconic mexican celebration](#) - Feb 15 2023

web sep 19 2023 the celebration of dia de los muertos has deep historical roots in indigenous mexican cultures dating back over 3 000 years the exact origins are challenging to pinpoint due to the lack of

[day of the dead google arts culture](#) - Dec 01 2021

web day of the dead explore and celebrate one of mexico s most ancient and popular traditions a celebration of life la catrina the character not to be missed various artists recreate the day of the dead tradition José Guadalupe Posada at the Museo del Estanquillo video traditional aztec dance lvm view all discover more exhibits

[day of the dead wikipedia](#) - Jun 19 2023

web the day of the dead spanish día de muertos or día de los muertos is a holiday traditionally celebrated on november 1 and 2 though other days such as october 31 or november 6 may be included depending on the locality it is widely observed in mexico where it largely developed and is also observed in other places especially by people of

[what is day of the dead and why does día de los muertos endure nbc news](#) - Oct 11 2022

web oct 31 2022 nov 1 honors deceased children and nov 2 focuses on adults the day of the dead parade in mexico city on oct 29 2022 claudio cruz afp getty images in mexico nov 1 and 2 are very

day of the dead how ancient traditions grew into a global holiday - Apr 05 2022

web oct 29 2020 the day of the dead or día de muertos is an ever evolving holiday that traces its earliest roots to the aztec people in what is now central mexico the aztecs used skulls to honor the dead a

el día de los muertos in poetry and word jstor daily - Apr 17 2023

web oct 30 2016 el día de los muertos or day of the dead is a longstanding and time honored holiday with deep historical

and cultural roots celebrated in Mexico and in many places throughout the United States. El Día de los Muertos and its associated rituals date back thousands of years to ancient Mesoamerica where it was celebrated by the Olmec.

the day of the dead el dia de los muertos gebundene ausgabe amazon.de - Aug 29 2021

web this hardback book presents a very good collection of images dealing with the culture surrounding the Mexican festival El Día de los Muertos. A huge selection of work from a wide range of diverse art sources and disciplines which includes folk art, historical material, work from contemporary artists and illustrators, and covering painting.

Mexico's Day of the Dead Google Arts & Culture - Mar 16 2023

web Día de Muertos or Day of the Dead is a two-day holiday celebrated throughout Mexico where it began far from being a sad occasion. It is colorful, humorous, and joyful. The holiday reaches back to Mexico's pre-Columbian history and has spread internationally through modern pop culture. *La Nube y el Surco* el cine de Emilio El Indio

when is día de los muertos who celebrates the day of the dead - Dec 13 2022

web Sep 14 2023 Day of the Dead is observed on All Souls Day which has been celebrated on November 2 since the 11th century but in Mexico Día de Muertos celebrations typically start a few days before.

review día de los muertos bar with monstruos inspired - Mar 24 2021

web 13 hours ago Celebrate Día de los Muertos Day of the Dead at a bar in the central courtyard of Universal Studios Hollywood's Upper Lot during Halloween Horror Nights 2023. This location is full of beautiful decorations, 2 bars, and a little cocina with food options. Let's take a look at everything this area has.

10 day of the dead facts día de los muertos history oprah daily - Jan 02 2022

web Oct 8 2021 Celebrated on November 1 and 2, the Mexican holiday honors life rather than mourns death. Day of the Dead or Día de los Muertos celebrates life with spirited traditions that largely take place across Mexico, Latin America, and the United States. Family and friends come together to honor their lost loved ones on November 1 and 2.

the day of the dead 2007 imdb - Jul 28 2021

web Mar 11 2007 The Day of the Dead directed by Ricardo Islas with Lily Alejandra Salomón Carmona, Max da Silva, Christina de León. Based on true facts, a gang of suburban kids is sport-killing homeless people just for fun in the streets of Chicago. One day they decide to try a new excitement by murdering a young Mexican working girl.

day of the dead mexican tradition celebrations rituals - Sep 10 2022

web Day of the Dead Spanish Día de los Muertos holiday in Mexico also observed to a lesser extent in other areas of Latin America and in the United States, honoring dead loved ones and making peace with the eventuality of death by treating it familiarly without fear and dread. The holiday is derived from the rituals of the pre-Hispanic.

five facts about día de los muertos the day of the dead - Sep 29 2021

web sugar skulls monarch butterflies marigolds and traditional paper banners papel picado are all symbols of the día de los muertos courtesy of the smithsonian latino center 3 it s a celebration of life not death ancient mesoamericans believed that death was part of the journey of life

day of the dead izle dizibox - Jun 26 2021

web z nation mantığı komikliklerin mevcut olduğu walking dead evrenine alternatif zevkli bir dizi ancak beklentileri çokta yüksek tutmamakta fayda var tek kelime ile kötü bitiremediniz zombileri çeke çeke yapımcıların yeni fikirler bulmadaki acizliği ve izleyicilerin aptallığı hala bu konuyu sattıyorsa

top 10 things to know about the day of the dead national - Jul 20 2023

web oct 14 2022 here s one thing we know día de los muertos or day of the dead is not a mexican version of halloween though related the two annual events differ greatly in traditions and tone whereas

attend the el paso día de los muertos parade this fall only - Apr 24 2021

web sep 21 2023 presented by the el paso museum of art the city s annual día de los muertos celebration will once again return to the downtown arts district on october 28 2023 festivities kick off at 4 p m sharp and the event is free for all ages there are numerous activities lined up but the parade is by far the most highly anticipated of them all

day of the dead resources national museum of the american - Aug 09 2022

web oct 12 2019 el día de los muertos day of the dead is a day of celebration particularly for the people in mexico and central america and for many mexican americans in the united states the dia de los muertos virtual exhibition was developed by the latino museum s office of digital initiatives photo by al rendón 2022 the story of the

six important día de los muertos symbols bbc bitesize - Feb 03 2022

web on 1 november mexicans celebrate the día de los angelitos day of the little angels for deceased children and 2 november is the día de los muertos for deceased adults according to mexican

what is día de los muertos the day of the dead ted ed - Jun 07 2022

web día de los muertos or day of the dead is a celebration of life and death while the holiday originated in mexico it is celebrated all over latin america the british museum shows how every year the dead are remembered and summoned by the observances of the living who cook make music and decorate their graves watch think

day of the dead 1985 imdb - Oct 31 2021

web jul 19 1985 day of the dead directed by george a romero with lori cardille terry alexander joseph pilato jarlath conroy as the world is overrun by zombies a group of scientists and military personnel sheltering in an underground bunker in florida must determine how they should deal with the undead horde

day of the dead in mexico the complete guide tripsavvy - May 06 2022

web jul 2 2022 in this article day of the dead known as día de muertos in spanish is celebrated in mexico between october 31st and november 2nd on this holiday mexicans remember and honor their deceased loved ones it s not a gloomy or morbid occasion rather it is a festive and colorful holiday celebrating the lives of those who have passed on

day of the dead dia de los muertos - Mar 04 2022

web spirits of the adults at midnight of the following day november 2nd the celebrations shift to honor the lives of the departed adults the night is filled with laughter and fun memories much like the night before however the ofrendas take on a more adult like theme with tequila pan de muerto mezcal pulque and jars of atole

2023 día de muertos barbie doll in pink dress mattel - Feb 20 2021

web barbie doll is radiant in a pink ruffled dress decorated with sugar skulls and colorful flowers delicate butterflies crown her calavera face paint and she holds her own tiny ofrenda may the 2023 día de muertos barbie doll become a treasured holiday tradition includes doll stand and certificate of authenticity doll cannot stand alone

day of the dead día de los muertos history - Aug 21 2023

web oct 30 2018 copy page link the day of the dead el día de los muertos is a mexican holiday where families welcome back the souls of their deceased relatives for a brief reunion that includes food drink

día de muertos guide to mexico s day of the dead lonely planet - Jul 08 2022

web oct 19 2022 día de muertos how to celebrate mexico s day of the dead in 2022 from late october to early november visitors flock to mexico for día de muertos day of the dead an annual remembrance of departed souls the holiday earned a designation as an intangible cultural heritage by unesco in 2003 and encapsulates the country s upbeat