



Dishwashers

Safety Instructions 2-3

Operating Instructions

Care and Cleaning 11

Getting Started 4-5

Loading and Place Settings 8-9

Loading the silverware baskets 10

Using the Dishwasher 6-7

Troubleshooting Tips 12-14

Consumer Support

Consumer Support 16

Warranty 15

Owner's Manual

Dishwashers
ADT520 Series
GDF510-540 Series
GDT530-550 Series

Lave-vaisselle

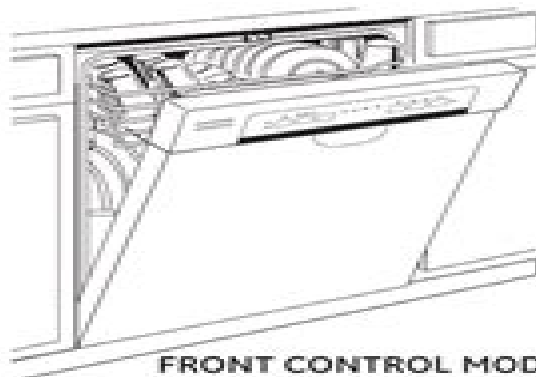
Manuel d'utilisation

La section française commence à la page 17

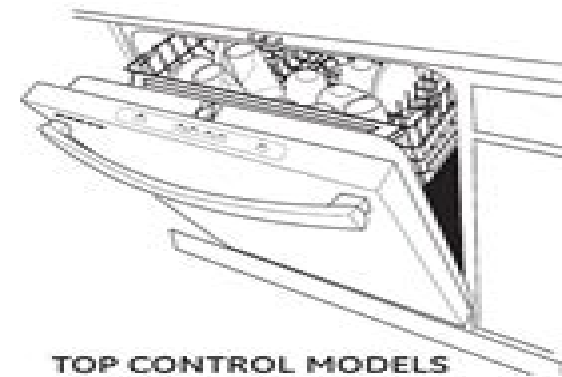
Lavaplatos

Manual del propietario

La sección en español empieza en la página 33



FRONT CONTROL MODELS



TOP CONTROL MODELS

Write the model and serial numbers here:

Model # _____

Serial # _____

You can find them on the tub wall just inside the door.

Ge Appliance Service Manual

Ian Pickup



Ge Appliance Service Manual:

Unveiling the Energy of Verbal Art: An Mental Sojourn through **Ge Appliance Service Manual**

In some sort of inundated with monitors and the cacophony of instant interaction, the profound power and psychological resonance of verbal beauty often diminish into obscurity, eclipsed by the constant onslaught of noise and distractions. However, nestled within the musical pages of **Ge Appliance Service Manual**, a fascinating function of fictional splendor that pulses with fresh feelings, lies an wonderful trip waiting to be embarked upon. Penned with a virtuoso wordsmith, this enchanting opus books readers on an emotional odyssey, delicately exposing the latent potential and profound influence embedded within the intricate web of language. Within the heart-wrenching expanse of the evocative examination, we can embark upon an introspective exploration of the book is key styles, dissect their captivating writing type, and immerse ourselves in the indelible impression it leaves upon the depths of readers souls.

<https://staging.conocer.cide.edu/data/virtual-library/Documents/kawasaki%20kx85%20kx100%202003%20factory%20service%20repair%20manual.pdf>

Table of Contents Ge Appliance Service Manual

1. Understanding the eBook Ge Appliance Service Manual
 - The Rise of Digital Reading Ge Appliance Service Manual
 - Advantages of eBooks Over Traditional Books
2. Identifying Ge Appliance Service Manual
 - Exploring Different Genres
 - Considering Fiction vs. Non-Fiction
 - Determining Your Reading Goals
3. Choosing the Right eBook Platform
 - Popular eBook Platforms
 - Features to Look for in an Ge Appliance Service Manual
 - User-Friendly Interface
4. Exploring eBook Recommendations from Ge Appliance Service Manual

- Personalized Recommendations
- Ge Appliance Service Manual User Reviews and Ratings
- Ge Appliance Service Manual and Bestseller Lists
- 5. Accessing Ge Appliance Service Manual Free and Paid eBooks
 - Ge Appliance Service Manual Public Domain eBooks
 - Ge Appliance Service Manual eBook Subscription Services
 - Ge Appliance Service Manual Budget-Friendly Options
- 6. Navigating Ge Appliance Service Manual eBook Formats
 - ePub, PDF, MOBI, and More
 - Ge Appliance Service Manual Compatibility with Devices
 - Ge Appliance Service Manual Enhanced eBook Features
- 7. Enhancing Your Reading Experience
 - Adjustable Fonts and Text Sizes of Ge Appliance Service Manual
 - Highlighting and Note-Taking Ge Appliance Service Manual
 - Interactive Elements Ge Appliance Service Manual
- 8. Staying Engaged with Ge Appliance Service Manual
 - Joining Online Reading Communities
 - Participating in Virtual Book Clubs
 - Following Authors and Publishers Ge Appliance Service Manual
- 9. Balancing eBooks and Physical Books Ge Appliance Service Manual
 - Benefits of a Digital Library
 - Creating a Diverse Reading Collection Ge Appliance Service Manual
- 10. Overcoming Reading Challenges
 - Dealing with Digital Eye Strain
 - Minimizing Distractions
 - Managing Screen Time
- 11. Cultivating a Reading Routine Ge Appliance Service Manual
 - Setting Reading Goals Ge Appliance Service Manual
 - Carving Out Dedicated Reading Time
- 12. Sourcing Reliable Information of Ge Appliance Service Manual

- Fact-Checking eBook Content of Ge Appliance Service Manual
 - Distinguishing Credible Sources
13. Promoting Lifelong Learning
- Utilizing eBooks for Skill Development
 - Exploring Educational eBooks
14. Embracing eBook Trends
- Integration of Multimedia Elements
 - Interactive and Gamified eBooks

Ge Appliance Service Manual Introduction

In the digital age, access to information has become easier than ever before. The ability to download Ge Appliance Service Manual has revolutionized the way we consume written content. Whether you are a student looking for course material, an avid reader searching for your next favorite book, or a professional seeking research papers, the option to download Ge Appliance Service Manual has opened up a world of possibilities. Downloading Ge Appliance Service Manual provides numerous advantages over physical copies of books and documents. Firstly, it is incredibly convenient. Gone are the days of carrying around heavy textbooks or bulky folders filled with papers. With the click of a button, you can gain immediate access to valuable resources on any device. This convenience allows for efficient studying, researching, and reading on the go. Moreover, the cost-effective nature of downloading Ge Appliance Service Manual has democratized knowledge. Traditional books and academic journals can be expensive, making it difficult for individuals with limited financial resources to access information. By offering free PDF downloads, publishers and authors are enabling a wider audience to benefit from their work. This inclusivity promotes equal opportunities for learning and personal growth. There are numerous websites and platforms where individuals can download Ge Appliance Service Manual. These websites range from academic databases offering research papers and journals to online libraries with an expansive collection of books from various genres. Many authors and publishers also upload their work to specific websites, granting readers access to their content without any charge. These platforms not only provide access to existing literature but also serve as an excellent platform for undiscovered authors to share their work with the world. However, it is essential to be cautious while downloading Ge Appliance Service Manual. Some websites may offer pirated or illegally obtained copies of copyrighted material. Engaging in such activities not only violates copyright laws but also undermines the efforts of authors, publishers, and researchers. To ensure ethical downloading, it is advisable to utilize reputable websites that prioritize the legal distribution of content. When downloading Ge Appliance Service Manual, users should also consider the potential security risks associated with online

platforms. Malicious actors may exploit vulnerabilities in unprotected websites to distribute malware or steal personal information. To protect themselves, individuals should ensure their devices have reliable antivirus software installed and validate the legitimacy of the websites they are downloading from. In conclusion, the ability to download Ge Appliance Service Manual has transformed the way we access information. With the convenience, cost-effectiveness, and accessibility it offers, free PDF downloads have become a popular choice for students, researchers, and book lovers worldwide. However, it is crucial to engage in ethical downloading practices and prioritize personal security when utilizing online platforms. By doing so, individuals can make the most of the vast array of free PDF resources available and embark on a journey of continuous learning and intellectual growth.

FAQs About Ge Appliance Service Manual Books

How do I know which eBook platform is the best for me? Finding the best eBook platform depends on your reading preferences and device compatibility. Research different platforms, read user reviews, and explore their features before making a choice. Are free eBooks of good quality? Yes, many reputable platforms offer high-quality free eBooks, including classics and public domain works. However, make sure to verify the source to ensure the eBook credibility. Can I read eBooks without an eReader? Absolutely! Most eBook platforms offer web-based readers or mobile apps that allow you to read eBooks on your computer, tablet, or smartphone. How do I avoid digital eye strain while reading eBooks? To prevent digital eye strain, take regular breaks, adjust the font size and background color, and ensure proper lighting while reading eBooks. What the advantage of interactive eBooks? Interactive eBooks incorporate multimedia elements, quizzes, and activities, enhancing the reader engagement and providing a more immersive learning experience. Ge Appliance Service Manual is one of the best book in our library for free trial. We provide copy of Ge Appliance Service Manual in digital format, so the resources that you find are reliable. There are also many Ebooks of related with Ge Appliance Service Manual. Where to download Ge Appliance Service Manual online for free? Are you looking for Ge Appliance Service Manual PDF? This is definitely going to save you time and cash in something you should think about.

Find Ge Appliance Service Manual :

[kawasaki kx85 kx100 2003 factory service repair manual](#)

[kawasaki jet ski 650x2 service manual 1986 1991](#)

[kawasaki brute force 750 manual](#)

kawasaki js550 service manual

kawasaki kx 250 service manual

kawasaki bayou 220

[kawasaki kx 125 2001 repair manual](#)

kawasaki ninja headlight manual

kawasaki mule 550 2010 service manual

kawasaki teryx 750 fi 4x4 full service repair manual 2008 2009

[kawasaki drifter service manual](#)

[kawasaki klf 400 1996 repair service manual](#)

[kawasaki ninja zx 10r 2006 2007 repair service manual](#)

kawasaki bayou 220 overhaul manual

kawasaki eliminator bn125 workshop service manual

Ge Appliance Service Manual :

new driver license texas download psd templates - Feb 26 2022

web jan 10 2021 address license number id number birth date height weight exp change photos etc you need photoshop to edit this template you can download photoshop from here adobe com 25 00 purchase we respect the laws rules and regulations of all countries our templates are for web illustrations only

[editable texas drivers license template form fill out and sign - Sep 04 2022](#)

web use this step by step guide to complete the texas driver s license template paper pdfsdocuments com form quickly and with ideval accuracy tips on how to fill out the texas driver s license template paper pdfsdocuments com form on the web to start the form use the fill camp sign online button or tick the preview image of the document

get temporary driver s license texas us legal forms - Jan 08 2023

web get your online template and fill it in using progressive features enjoy smart fillable fields and interactivity follow the simple instructions below the days of terrifying complex tax and legal documents have ended with us legal forms creating legal documents is

get temporary driver s license template us legal forms - Dec 07 2022

web temporary driver s license template get temporary driver s license template how it works open form follow the instructions easily sign the form with your finger send filled signed form or save printable temporary id template rating 4 8 satisfied 46 votes how to fill out and sign paper id template online

[section 3 issuing a temporary permit texas department of public safety - Jun 13 2023](#)

web 1 how long is my temporary driver license valid a temporary driver license is valid for 60 days from the date of your driver license transaction you may check the mailing status of your card at where s my driver license or id card 2 i still cannot find the answer to my question what do i do

temporary driver s license texas fill and sign printable template - Jul 02 2022

web how to fill out and sign texas id template online get your online template and fill it in using graduated features enjoy smart fillable fields and interactivity follow aforementioned simple user below fill texas id template edit online

texas drivers license template pdf fill out sign online dochub - Nov 06 2022

web editable blank texas drivers license template get the up to date editable blank texas drivers license template 2023 now 4 1 out of 5 52 votes 44 reviews 23 ratings 15 005 10 000 000 303 100 000 users here s how it works 02 sign it in a few clicks draw your signature type it upload its image or use your mobile device as a signature pad 03

[temporary driver s license texas fill and sign printable template - Apr 30 2022](#)

web completed temporary driver s license texas wired with us legal forms easily fill out pdf blank edit and sign them storing or instantaneously send your finish documents

[temporary license template texas printable blank pdf online - Apr 11 2023](#)

web temporary driver s license a temporary driver s license template is issued to individuals who have applied for a driver s license renewal or replacement it serves as a temporary proof of driving privileges until the official license card arrives in the mail

[temporary driver s license texas fill and sign printable template - May 12 2023](#)

web texas impermanent id template download temporary license texas texas drivers license template temporary driver license texas blank editable texas temporary paper id template texas paper id template 2022 modification texas motorists license preset paper psyche template blank texas paper device pdf texas temp id can i print my

[temporary id texas form fill out and sign printable pdf template - Jul 14 2023](#)

web use a printable pdf template to fill out and sign a temporary id texas form online learn how to get a temporary id in texas how to protect your document and how to create an esignature with signnow

texas temporary paper id template fill out sign online dochub - Aug 15 2023

web 01 edit your editable texas temporary paper id template online type text add images blackout confidential details add comments highlights and more 02 sign it in a few clicks draw your signature type it upload its image or use your mobile device as a signature pad 03 share your form with others

[texas drivers license template new edition photoshop file - Dec 27 2021](#)

web tx psd template editable with photoshop this is a texas drivers license template on this psd template you can put any name dob address license no etc and make your own personalized usa driver license to see a full screen zoomed view please click on the magnifying glass icon on the top right corner of the product image

temporary driver s license texas form fill out and sign - Oct 05 2022

web texas temporary id template check out how easy it is to complete and esign documents online using fillable submission and a powerful editor rate temporary driver s license texas as 5 stars rate temporary driver s license texas as 4 stars rate temporary driver s license texas as 3 stars rate time limited driver s license texas as 2 stars

texas drivers license template psd fake texas dl 2022 - Mar 30 2022

web sep 4 2021 download a custom photoshop template for a fake texas driver s license edit the fields fonts and photos to create your own novelty fake identity document learn how to apply for a texas driver s license the types of licenses and the requirements

get texas temporary id template download 2020 2023 us - Aug 03 2022

web editable temporary id template texas drivers license 2022 texas pdf blank printable temporary license plate template 2023 texas id texas paper id template 2022 temporary id template texas temporary drivers license template [driver licenses and id cards for temporary visitors](#) - Mar 10 2023

web learn how to apply for a driver license or id card with limited term if you are a temporary visitor in texas find out the requirements renewal process and documents needed for a limited term license or id card

[temporary driver s license texas form signnow](#) - Feb 09 2023

web quick steps to complete and e sign temporary id texas online use get form or simply click on the template preview to open it in the editor start completing the fillable fields and carefully type in required information use the cross or check marks in the top toolbar to select your answers in the list boxes

texas driver license template new all psd templates - Jan 28 2022

web high quality template change photos text etc easy to customize layer based fonts included texas driver license template you can edit this template and put any name address number birth date expire date [temporary driver s license texas fill and sign printable template](#) - Jun 01 2022

web ensure the information you fill inbound temporary driver s license texas is updated and accurate indicate the date to the print using the date feature selecting the sign tool and make an e signature feel release to uses 3 available alternatives typing drawing or uploading one double check every area has been filled in gets select

lalkitabpustakmahal copy old arianavara - Jan 28 2022

web pustak mahal product compare 0 show sort by 100 inr 150 00 ex tax inr 150 00 add to cart add to

wish list compare this product 71 fun

lal kitab a rare book on astrology u c mahajan pustak - Jan 08 2023

web apr 27 2013 get the digital subscription of lal kitab of astrology e book in english by pustak mahal book read online and download book in app to read offline on iphone

lal kitab a rare book on astrology google books - Jul 14 2023

lal kitab system of progression and curative measure by r s chillar sagar publications 2004 isbn 81 7082 050 2 rup chand joshi 1941 lal kitab volume 3 via internet archive u c mahajan 2004 lal kitab a rare book on astrology pustak mahal isbn 81 223 0884 8

lal kitab on apple books - Apr 11 2023

web about this ebook arrow forward the lal kitab a rare book in urdu was popular in north west india pakistan iran and many other countries this english version has added new

masalistanbul figen yaman coşar fiyat satın al d r - Oct 25 2021

web lâl masallar hikaye kitap Özeti Âzer ile yadigâr muradhan ile selvihan ya da bir billûr köşk masalı ve ulak ile sadrazam adlı üç uzun hikâyeden oluşan lâl masallar

lal kitab a rare book on astrology google books - May 12 2023

web aug 22 2004 a book on astrology horoscope reading made easy was published in 2000 by pustak mahal authored by prof u c mahajan this english version of lal kitab is

lal kitab pustak mahal uniport edu ng - Nov 25 2021

web İnce kapak kayıp İsimler krallığı 2 islık ve tuzak figen yaman coşar 7 52 50 tl 49 00 tl erdem Çocuk son 30 günün en düşük fiyatı sepete ekle İnce kapak

lal kitab a rare book on astrology hardcover 2004 biblio - Nov 06 2022

web pages of lal kitab pustak mahal a mesmerizing literary creation penned by way of a celebrated wordsmith readers set about an enlightening odyssey unraveling the

lal kitab pustak mahal wp publish com - Oct 05 2022

web details a book on astrology horoscope reading made easy was published in 2000 by pustak mahal authored by prof u c mahajan this english version of lal kitab is an

lal kitab december 30 2004 edition open library - Feb 09 2023

web a book on astrology horoscope reading made easy was published in 2000 by pustak mahal authored by prof u c mahajan the english version of lal kitab is an extension

pustak mahal books tagged english bookkish - Apr 30 2022

web lal kitab a rare book 382 50 450 00 add to cart chinese astrology and fortune telling english 128 00 150 00 add to cart prashan kundali darpan

routemybook buy lal kitab a rare book of astrology by - Aug 03 2022

web jan 31 2011 by prof u c mahajan a book on astrology horoscope reading made easy was published in 2000 by pustak mahal authored by prof u c mahajan this english

preview as pdf pustak mahal yumpu - Jun 01 2022

web pustak mahal books lal kitab a rare book on astrology lal kitab rare book on astrology chinese astrology and fortune telling phalit jyotish sutra

lal kitab by prof u c mahajan ebook barnes noble - Jul 02 2022

web may 4 2013 preview as pdf pustak mahal en his interest in astrology began when he came across old urdu editions of lal kitab since the br nuances of these books

pustak mahal books bookkish india - Mar 30 2022

web inr 195 00 100 prescriptions that will shape your personality inr 295 00 100 way s to bring out your best inr 150 00 31 mantra for personality development inr 175 00

lal kitab of astrology e book in english by pustak mahal - Dec 07 2022

web dec 15 2004 title lal kitab a rare book on astrology author mahajan u c binding hardcover edition revised enlarg language eng publisher pustak mahal new

pustakmahal com - Feb 26 2022

web the lal kitab a rare book in urdu was popular in north west india pakistan iran and many other countries this english version has added new dimensions to make it more lucid

pustak mahal lal kitab 9086a raajkart - Sep 04 2022

web lal kitab a rare book of astrology author pustak mahal editorial board no customer reviews add to wishlist bulk orders 5 ditional cash back on routemybook app get

lal kitab of astrology pustakmahal com - Aug 15 2023

web aug 22 2004 pustak mahal aug 22 2004 astrology 336 pages 3 reviews reviews aren t verified but google checks for and removes fake content when it s identified the

lâl masallar hikaye kitap Özeti evvel cevap - Sep 23 2021

lal kitab wikipedia - Jun 13 2023

web aug 22 2004 u c mahajan pustak mahal aug 22 2004 astrology 336 pages 8 reviews reviews aren t verified but google

checks for and removes fake content when

lal kitab a rare book on astrology google play - Mar 10 2023

web dec 30 2004 lal kitab by v c mahajan december 30 2004 pustak mahal india edition hardcover

pustak mahal - Dec 27 2021

web jul 8 2023 lal kitab pustak mahal 2 7 downloaded from uniport edu ng on july 8 2023 by guest lal kitab u c mahajan
2004 08 22 the lal kitab a rare book in urdu was

pantun dalam kehidupan melayu pendekatan historis dan - Nov 06 2022

web feb 2 2023 freepik com 25 contoh pantun melayu lengkap dengan jenisnya sebagai referensi arista estiningtyas 2
februari 2023 13 00 wib sonora id pantun melayu

pantun pantun tulisan arab melayu pdfsdocuments com - Mar 10 2023

web 1 pantun arab melayu dan artinya kalimat diatas adl pantun arab melayu dan artinya 2 pantun tulisan arab melayu dan
artinya 3 □□□ □□□□ □□□□□ □□ □□□□ ciontoh pantun dalam

[pdf pantun pantun tulisan arab melayu middot pdf](#) - Sep 04 2022

web sep 10 2023 pantun melayu pantun adalah prosa lama yang pada mulanya digunakan oleh masyarakat melayu dan jenis
pantun ini biasa digunakan dalam rutinitas apapun

tradisi pantun melayu pengertian jenis dan contoh - Dec 07 2022

web pantun adalah satu genre yang sangt disukai oleh masyarakat melayu menurut teuku iskandar naskah asli perhimpunan
pantun melaju diterbitkan pada tahun 1877 oleh w

kesalahan penulisan arab melayu dalam teks - Feb 26 2022

web may 6 2023 pantun melayu adalah pantun yang biasa dipakai atau bersinggungan langsung dengan kehidupan melayu
jenis dari pantun ini beragam mengikuti

pantun nasehat arab melayu tulisan jawi gurusiana - Apr 11 2023

web 1 huruf ke 10 abjad arab rajah i 1 tulisan gambaran menjadi satu pantun pantun dlm sejarah melayu telah
diserangkunkan dlm sebuah daftar

pantun pantun tulisan arab melayu pdf old vulkk - Apr 30 2022

web feb 17 2022 pantun kata cinta bahasa arab beserta terjemahannya halo semuanya assalamualaikum warahmatullahi
wabarakatuh berikut ini adalah pantun kata cinta

pantun bahasa arab ciontoh pantun dalam tulisan arab - May 12 2023

web may 16 2023 pantun nasehat hati hati bila bercengkrama jaga pandangan jaga mata rendah hati terhadap sesama
niscaya engkau akan dicinta elang terbang kejar kereta

pantun puisi kata cinta romantis bahasa arab beserta - Mar 30 2022

web dec 16 2022 download citation kesalahan penulisan arab melayu dalam teks tanjung pinang kota pantun tulisan arab melayu pada hakikatnya

pantun tulisan arab melayu uniport edu ng - Sep 23 2021

bmr kelas 5 baca tulis arab melayu pantun syair dan - Jan 08 2023

web feb 20 2022 pantun sendiri merupakan bentuk puisi dalam kesusastraan melayu yang paling dikenal oleh masyarakat bahkan di masa lalu masyarakat melayu menjadikan

pantun arab melayu dan artinya belajar - Feb 09 2023

web sep 2 2021 about press copyright contact us creators advertise developers terms privacy policy safety how youtube works test new features nfl sunday ticket

bacaan untuk remaja tingkat smp 1 kemdikbud - Jul 02 2022

web may 19 2022 para tetua pun menasihati anak cucunya menggunakan pantun agar terdengar lebih halus namun sarat makna inilah beberapa pantun adat melayu yang

pantun dalam tulisan arab melayu cermatmu com - Jun 13 2023

web sep 21 2021 pantun bahasa arab ciontoh pantun dalam tulisan arab melayu beserta arti brainly co id bahasa arab bisa digunakan untuk menyatakan cinta kepada

pantun pantun tulisan arab melayu pdf uniport edu - Nov 25 2021

web namun jika anda melihat sesuatu yang tidak pantas beri tahu kami kami akan melakukan yang terbaik dan kami akan memperbaikinya jika anda melihat sesuatu yang salah

kumpulan pantun bahasa arab melayu dan - Aug 15 2023

web sep 12 2021 pantun nasehat beserta tulisan arab melayu brainlycoid tulisan arab assalamualaikum assalamualaikum merupakan ucapan salam dalam bahasa arab dan

35 pantun melayu penuh nasehat dan pembuka acara lucu - Jan 28 2022

web dec 16 2022 tulisan arab melayu pada hakikatnya adalah tulisan yang menggunakan aksara arab ditambah aksara non arab dengan tidak berharakat seperti fathah

25 contoh pantun melayu dan maknanya lucu cinta nasehat - Aug 03 2022

web mengenal tunjuk ajar melayu dalam pantun gurindam dan syair 4 dan drama lisan dalam sastra lisan melayu bentuk karya sastra yang termasuk ke dalam jenis puisi

contoh pantun tulisan arab melayu dan artinya huruf aksara - Jul 14 2023

web jul 2 2023 pantun dalam tulisan arab melayu adalah suatu bentuk puisi yang memiliki ciri khas tersendiri pantun ini biasanya berisi sindiran nasihat atau pesan moral yang

kesalahan penulisan arab melayu dalam teks - Dec 27 2021

web aug 16 2023 pantun pantun tulisan arab melayu 1 6 downloaded from uniport edu ng on august 16 2023 by guest pantun pantun tulisan arab melayu if you ally habit such

25 contoh pantun melayu lengkap dengan jenisnya sebagai - Oct 05 2022

web pantun pantun tulisan arab melayu pdf free download here menawarkan festival jawi dan khat peringkat kebangsaan 2007 dbp gov my klikdbp klikdbp1okt7 pdf

9 pantun adat melayu yang berisi nasihat kumparan com - Jun 01 2022

web pantun yang terpilih daripada koleksi pantun melayu bingkisan permata 2007 ini dianalisis menggunakan pendekatan puitika sastera melayu yang telah diperkenal oleh

pantun terjemahan bahasa - Oct 25 2021

web apr 25 2023 pantun tulisan arab melayu 2 6 downloaded from uniport edu ng on april 25 2023 by guest kini prof riris k toha sarumpaet ph d penelitian tes prestasi