

# C2S980SEMSS

## GE Café Free-Standing Dual-Fuel Range

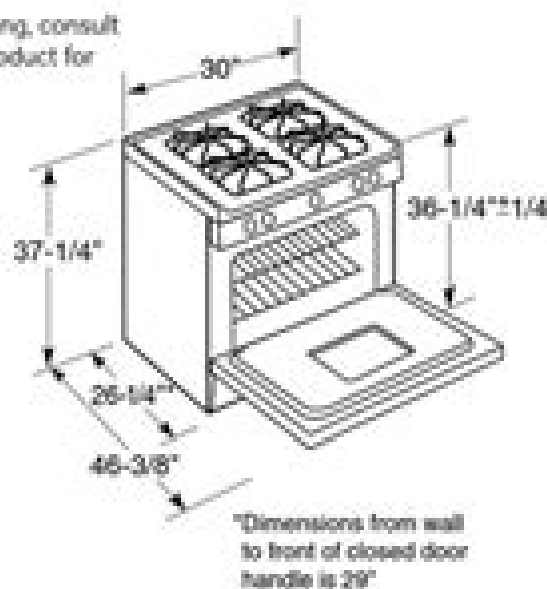
### Dimensions and Installation Information (in inches)

You must use the rear filler strip kit shipped with the range or the optional accessory backguard when installing these ranges.

Note: Cabinets installed adjacent to slide-in ranges must have an adhesion spec of at least 294° temperature rating.

Optional Kits for Slide-In Gas Ranges:  
(Available at additional cost)

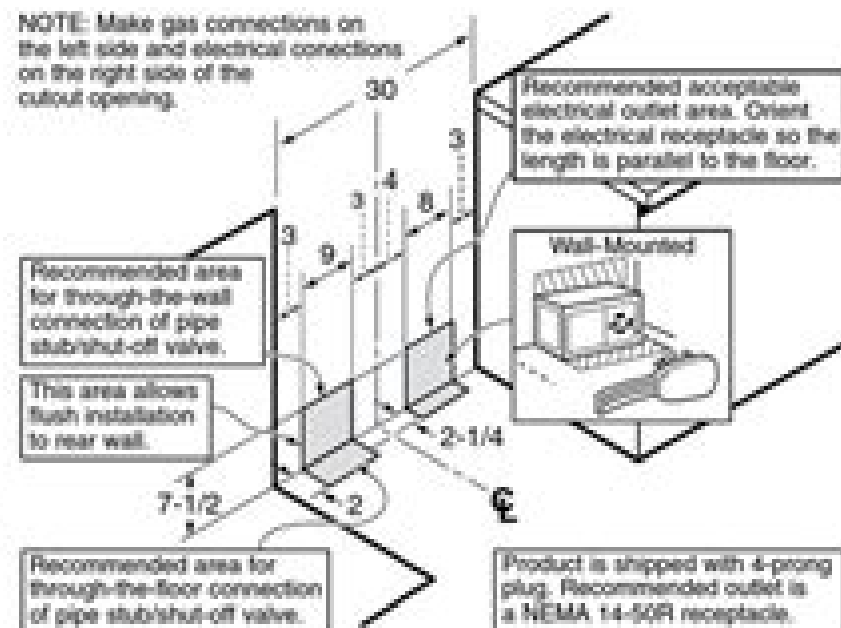
Installation Information: Before installing, consult installation instructions packed with product for current dimensional data.



For answers to your Monogram,<sup>®</sup> GE Profile<sup>™</sup> or GE<sup>®</sup> appliance questions, visit our website at [ge.com](http://ge.com) or call GE Answer Center<sup>®</sup> service, 800.626.2000.

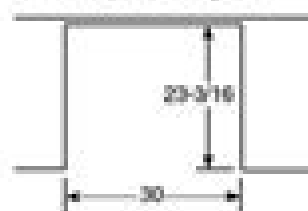


NOTE: Make gas connections on the left side and electrical connections on the right side of the cutout opening.

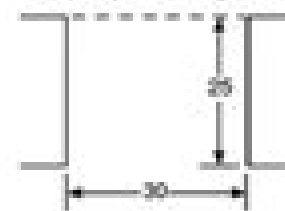


### Counter Cutout Dimensions (in inches)

If you are NOT using the Filler strip or Backguard:



If you are using the Filler strip or Backguard:



All GE ranges are equipped with an auto shut-off device. The installation of this device is an important, required step in the installation of the range.



# Ge C2s980semss User Guide

**Phillip D. Hengst**



**Ge C2s980semss User Guide:**

**User manual for the GE parallel data scope** Phillip D. Hengst,1996

The Top Books of the Year Ge C2s980semss User Guide The year 2023 has witnessed a remarkable surge in literary brilliance, with numerous captivating novels captivating the hearts of readers worldwide. Lets delve into the realm of bestselling books, exploring the engaging narratives that have enthralled audiences this year. Ge C2s980semss User Guide : Colleen Hoover's "It Ends with Us" This heartfelt tale of love, loss, and resilience has captivated readers with its raw and emotional exploration of domestic abuse. Hoover skillfully weaves a story of hope and healing, reminding us that even in the darkest of times, the human spirit can prevail. Uncover the Best : Taylor Jenkins Reids "The Seven Husbands of Evelyn Hugo" This spellbinding historical fiction novel unravels the life of Evelyn Hugo, a Hollywood icon who defies expectations and societal norms to pursue her dreams. Reids compelling storytelling and compelling characters transport readers to a bygone era, immersing them in a world of glamour, ambition, and self-discovery. Ge C2s980semss User Guide : Delia Owens "Where the Crawdads Sing" This mesmerizing coming-of-age story follows Kya Clark, a young woman who grows up alone in the marshes of North Carolina. Owens spins a tale of resilience, survival, and the transformative power of nature, captivating readers with its evocative prose and mesmerizing setting. These popular novels represent just a fraction of the literary treasures that have emerged in 2023. Whether you seek tales of romance, adventure, or personal growth, the world of literature offers an abundance of captivating stories waiting to be discovered. The novel begins with Richard Papen, a bright but troubled young man, arriving at Hampden College. Richard is immediately drawn to the group of students who call themselves the Classics Club. The club is led by Henry Winter, a brilliant and charismatic young man. Henry is obsessed with Greek mythology and philosophy, and he quickly draws Richard into his world. The other members of the Classics Club are equally as fascinating. Bunny Corcoran is a wealthy and spoiled young man who is always looking for a good time. Charles Tavis is a quiet and reserved young man who is deeply in love with Henry. Camilla Macaulay is a beautiful and intelligent young woman who is drawn to the power and danger of the Classics Club. The students are all deeply in love with Morrow, and they are willing to do anything to please him. Morrow is a complex and mysterious figure, and he seems to be manipulating the students for his own purposes. As the students become more involved with Morrow, they begin to commit increasingly dangerous acts. The Secret History is a exceptional and thrilling novel that will keep you guessing until the very end. The novel is a cautionary tale about the dangers of obsession and the power of evil.

[https://staging.conocer.cide.edu/book/book-search/index.jsp/les\\_confidences\\_de\\_sarah.pdf](https://staging.conocer.cide.edu/book/book-search/index.jsp/les_confidences_de_sarah.pdf)

## Table of Contents Ge C2s980semss User Guide

1. Understanding the eBook Ge C2s980semss User Guide
  - The Rise of Digital Reading Ge C2s980semss User Guide
  - Advantages of eBooks Over Traditional Books
2. Identifying Ge C2s980semss User Guide
  - Exploring Different Genres
  - Considering Fiction vs. Non-Fiction
  - Determining Your Reading Goals
3. Choosing the Right eBook Platform
  - Popular eBook Platforms
  - Features to Look for in an Ge C2s980semss User Guide
  - User-Friendly Interface
4. Exploring eBook Recommendations from Ge C2s980semss User Guide
  - Personalized Recommendations
  - Ge C2s980semss User Guide User Reviews and Ratings
  - Ge C2s980semss User Guide and Bestseller Lists
5. Accessing Ge C2s980semss User Guide Free and Paid eBooks
  - Ge C2s980semss User Guide Public Domain eBooks
  - Ge C2s980semss User Guide eBook Subscription Services
  - Ge C2s980semss User Guide Budget-Friendly Options
6. Navigating Ge C2s980semss User Guide eBook Formats
  - ePub, PDF, MOBI, and More
  - Ge C2s980semss User Guide Compatibility with Devices
  - Ge C2s980semss User Guide Enhanced eBook Features
7. Enhancing Your Reading Experience
  - Adjustable Fonts and Text Sizes of Ge C2s980semss User Guide
  - Highlighting and Note-Taking Ge C2s980semss User Guide
  - Interactive Elements Ge C2s980semss User Guide
8. Staying Engaged with Ge C2s980semss User Guide

- Joining Online Reading Communities
  - Participating in Virtual Book Clubs
  - Following Authors and Publishers Ge C2s980semss User Guide
9. Balancing eBooks and Physical Books Ge C2s980semss User Guide
- Benefits of a Digital Library
  - Creating a Diverse Reading Collection Ge C2s980semss User Guide
10. Overcoming Reading Challenges
- Dealing with Digital Eye Strain
  - Minimizing Distractions
  - Managing Screen Time
11. Cultivating a Reading Routine Ge C2s980semss User Guide
- Setting Reading Goals Ge C2s980semss User Guide
  - Carving Out Dedicated Reading Time
12. Sourcing Reliable Information of Ge C2s980semss User Guide
- Fact-Checking eBook Content of Ge C2s980semss User Guide
  - Distinguishing Credible Sources
13. Promoting Lifelong Learning
- Utilizing eBooks for Skill Development
  - Exploring Educational eBooks
14. Embracing eBook Trends
- Integration of Multimedia Elements
  - Interactive and Gamified eBooks

## **Ge C2s980semss User Guide Introduction**

In today's digital age, the availability of Ge C2s980semss User Guide books and manuals for download has revolutionized the way we access information. Gone are the days of physically flipping through pages and carrying heavy textbooks or manuals. With just a few clicks, we can now access a wealth of knowledge from the comfort of our own homes or on the go. This article will explore the advantages of Ge C2s980semss User Guide books and manuals for download, along with some popular platforms that offer these resources. One of the significant advantages of Ge C2s980semss User Guide books and manuals for download is the cost-saving aspect. Traditional books and manuals can be costly, especially if you need to purchase several of

them for educational or professional purposes. By accessing Ge C2s980semss User Guide versions, you eliminate the need to spend money on physical copies. This not only saves you money but also reduces the environmental impact associated with book production and transportation. Furthermore, Ge C2s980semss User Guide books and manuals for download are incredibly convenient. With just a computer or smartphone and an internet connection, you can access a vast library of resources on any subject imaginable. Whether you're a student looking for textbooks, a professional seeking industry-specific manuals, or someone interested in self-improvement, these digital resources provide an efficient and accessible means of acquiring knowledge. Moreover, PDF books and manuals offer a range of benefits compared to other digital formats. PDF files are designed to retain their formatting regardless of the device used to open them. This ensures that the content appears exactly as intended by the author, with no loss of formatting or missing graphics. Additionally, PDF files can be easily annotated, bookmarked, and searched for specific terms, making them highly practical for studying or referencing. When it comes to accessing Ge C2s980semss User Guide books and manuals, several platforms offer an extensive collection of resources. One such platform is Project Gutenberg, a nonprofit organization that provides over 60,000 free eBooks. These books are primarily in the public domain, meaning they can be freely distributed and downloaded. Project Gutenberg offers a wide range of classic literature, making it an excellent resource for literature enthusiasts. Another popular platform for Ge C2s980semss User Guide books and manuals is Open Library. Open Library is an initiative of the Internet Archive, a nonprofit organization dedicated to digitizing cultural artifacts and making them accessible to the public. Open Library hosts millions of books, including both public domain works and contemporary titles. It also allows users to borrow digital copies of certain books for a limited period, similar to a library lending system. Additionally, many universities and educational institutions have their own digital libraries that provide free access to PDF books and manuals. These libraries often offer academic texts, research papers, and technical manuals, making them invaluable resources for students and researchers. Some notable examples include MIT OpenCourseWare, which offers free access to course materials from the Massachusetts Institute of Technology, and the Digital Public Library of America, which provides a vast collection of digitized books and historical documents. In conclusion, Ge C2s980semss User Guide books and manuals for download have transformed the way we access information. They provide a cost-effective and convenient means of acquiring knowledge, offering the ability to access a vast library of resources at our fingertips. With platforms like Project Gutenberg, Open Library, and various digital libraries offered by educational institutions, we have access to an ever-expanding collection of books and manuals. Whether for educational, professional, or personal purposes, these digital resources serve as valuable tools for continuous learning and self-improvement. So why not take advantage of the vast world of Ge C2s980semss User Guide books and manuals for download and embark on your journey of knowledge?

---

## FAQs About Ge C2s980semss User Guide Books

1. Where can I buy Ge C2s980semss User Guide books? Bookstores: Physical bookstores like Barnes & Noble, Waterstones, and independent local stores. Online Retailers: Amazon, Book Depository, and various online bookstores offer a wide range of books in physical and digital formats.
2. What are the different book formats available? Hardcover: Sturdy and durable, usually more expensive. Paperback: Cheaper, lighter, and more portable than hardcovers. E-books: Digital books available for e-readers like Kindle or software like Apple Books, Kindle, and Google Play Books.
3. How do I choose a Ge C2s980semss User Guide book to read? Genres: Consider the genre you enjoy (fiction, non-fiction, mystery, sci-fi, etc.). Recommendations: Ask friends, join book clubs, or explore online reviews and recommendations. Author: If you like a particular author, you might enjoy more of their work.
4. How do I take care of Ge C2s980semss User Guide books? Storage: Keep them away from direct sunlight and in a dry environment. Handling: Avoid folding pages, use bookmarks, and handle them with clean hands. Cleaning: Gently dust the covers and pages occasionally.
5. Can I borrow books without buying them? Public Libraries: Local libraries offer a wide range of books for borrowing. Book Swaps: Community book exchanges or online platforms where people exchange books.
6. How can I track my reading progress or manage my book collection? Book Tracking Apps: Goodreads, LibraryThing, and Book Catalogue are popular apps for tracking your reading progress and managing book collections. Spreadsheets: You can create your own spreadsheet to track books read, ratings, and other details.
7. What are Ge C2s980semss User Guide audiobooks, and where can I find them? Audiobooks: Audio recordings of books, perfect for listening while commuting or multitasking. Platforms: Audible, LibriVox, and Google Play Books offer a wide selection of audiobooks.
8. How do I support authors or the book industry? Buy Books: Purchase books from authors or independent bookstores. Reviews: Leave reviews on platforms like Goodreads or Amazon. Promotion: Share your favorite books on social media or recommend them to friends.
9. Are there book clubs or reading communities I can join? Local Clubs: Check for local book clubs in libraries or community centers. Online Communities: Platforms like Goodreads have virtual book clubs and discussion groups.
10. Can I read Ge C2s980semss User Guide books for free? Public Domain Books: Many classic books are available for free as they're in the public domain. Free E-books: Some websites offer free e-books legally, like Project Gutenberg or Open Library.



**Find Ge C2s980semss User Guide :**

**les confidences de sarah**

~~enfant confronteacute agrave la mort dun parent~~  
les cages flottantes les aventures de cheacuteribibi  
~~lengagement reacuteciproque pulp gay~~  
lenovo thinkpad yoga user guide  
~~lektriever series 2015 manual~~

**leningrad siege and symphony english edition**

~~lemon pound cake recipe oil butter~~  
lely power harrow service manual  
~~leitz cinovid projector manual nederlands~~  
*les charniers annotate*

**les clowns vengeurs concertos pour odimenvatt**

**lenovo g 450 service manual**

~~lephalale fet june intake courses 2015~~  
lentil soup lamb recipe

**Ge C2s980semss User Guide :**

a gilded lady hope and glory book 2 english editi pdf - Jul 27 2022

web 2 2 a gilded lady hope and glory book 2 english editi 2021 10 16 a gilded lady hope and glory book 2 english editi  
downloaded from ftp adaircountymissouri com by

a gilded lady hope and glory book 2 kindle edition - Aug 08 2023

web a gilded lady hope and glory book 2 ebook camden elizabeth amazon co uk kindle store skip to main content co uk hello  
select your address kindle store select

**buy a gilded lady 2 hope and glory book online at low** - Oct 30 2022

web a gilded lady hope and glory book 2 english editi recognizing the quirk ways to acquire this book a gilded lady hope and  
glory book 2 english editi is additionally

a gilded lady hope and glory book 2 english edition ebook - Jun 06 2023

web a gilded lady hope and glory book 2 english edition ebook camden elizabeth amazon nl kindle store

[a gilded lady hope and glory 2 by elizabeth](#) - Sep 09 2023

web jun 2 2020 a gilded lady is book 2 in the hope and glory series by elizabeth camden set in 1900s white house life the series focuses on siblings grey caroline

**a gilded lady hope and glory book 2 kindle edition** - Apr 04 2023

web jun 2 2020 a gilded lady hope and glory book 2 368 by elizabeth camden view more ebook 11 99 15 99 save 25 current price is 11 99 original price is 15 99

[a gilded lady hope and glory book 2 english editi pdf ftp](#) - Jun 25 2022

web jun 21 2023 a gilded lady hope and glory book 2 english editi right here we have countless books a gilded lady hope and glory book 2 english editi and collections to

**a gilded lady hope and glory book 2 ebook** - May 05 2023

web jun 2 2020 a gilded lady hope and glory book 2 kindle edition by elizabeth camden author format kindle edition 4 6 4 6 out of 5 stars 573 ratings english

**pdf epub a gilded lady hope and glory 2 download** - Nov 30 2022

web amazon in buy a gilded lady 2 hope and glory book online at best prices in india on amazon in read a gilded lady 2 english publisher bethany house publishers a

*a gilded lady 2 hope and glory library binding amazon co uk* - Feb 19 2022

**a gilded lady hope and glory book 2 kindle edition** - Oct 10 2023

web jun 2 2020 elizabeth camden a gilded lady hope and glory book 2 kindle edition by elizabeth camden author format kindle edition 4 7 700 ratings book 2 of 3 hope

*a gilded lady hope and glory book 2 kobo com* - Feb 02 2023

web a gilded lady hope and glory book 2 by elizabeth camden book cover description home elizabeth camden a gilded lady a gilded lady 2020 the second

**gilded lady 2 hope and glory paperback 2 jun 2020** - Jul 07 2023

web buy gilded lady 2 hope and glory by camden isbn 9780764232121 from amazon s book store everyday low prices and free delivery on eligible orders english

*loading interface goodreads* - Aug 28 2022

web jul 13 2023 a gilded lady hope and glory book 2 english editi 2 13 downloaded from uniport edu ng on july 13 2023 by guest were swindled out of forty years ago when she

**a gilded lady hope and glory book 2 english editi elizabeth** - Sep 28 2022

web discover and share books you love on goodreads

*a gilded lady hope and glory 2 amazon com* - Mar 23 2022

web jul 8 2021 buy a gilded lady 2 hope and glory large type large print by camden elizabeth isbn 9781432880750 from amazon s book store everyday low prices and

**a gilded lady hope and glory book 2 english editi pdf** - Apr 23 2022

web jul 28 2021 a gilded lady hope and glory 2 library binding large print july 28 2021 by elizabeth camden author 4 7 4 7 out of 5 stars 698 ratings

**a gilded lady hope and glory book 2 english editi pdf** - May 25 2022

web a gilded lady hope and glory book 2 english editi 1 16 downloaded from uniport edu ng on may 7 2023 by guest a gilded lady hope and glory book 2 english editi when

*a gilded lady hope and glory book 2 by elizabeth camden* - Jan 01 2023

web jun 15 2020 immediately suspicious of caroline but also attracted to her secret service agent nathaniel trask must battle his growing love for her as the threat to the president

**a gilded lady hope and glory book 2 barnes noble** - Mar 03 2023

web read a gilded lady hope and glory book 2 by elizabeth camden available from rakuten kobo caroline delacroix is at the pinnacle of washington high society in her

*mein graffiti sketchbook a4 blanko skizzenbuch mit 120 seiten* - Apr 11 2023

web may 16 2023 mein graffiti sketchbook a4 blanko skizzenbuch mit 120 seiten für 120 graffiti pieces ideales geschenk für einen künstler von graffiti notizbücher publishing 3 juli 2019 5 0 von 5 sternern 4 taschenbuch

**mein graffiti sketchbook a4 blanko skizzenbuch mit 120 seiten** - Jan 28 2022

web aug 18 2023 mein graffiti sketchbook a4 blanko skizzenbuch mit 120 seiten für 120 graffiti pieces ideales geschenk für einen künstler by graffiti notizbücher publishing montana blackbook portrait skizzenbuch sketchbook perfect ideaz din a4 skizzen buch 96 seiten 48 blatt

mein graffiti sketchbook a4 blanko skizzenbuch mi - Dec 07 2022

web graffiti sketchbook a4 blanko skizzenbuch mi it is entirely easy then in the past currently we extend the link to purchase and make bargains to download and install mein graffiti

**mein graffiti sketchbook a4 blanko skizzenbuch mi pdf** - Nov 06 2022

web like some harmful virus inside their computer mein graffiti sketchbook a4 blanko skizzenbuch mi is available in our digital library an online entry to it is set as public therefore you can download it instantly

mein graffiti sketchbook a4 blanko skizzenbuch mit 120 seiten - Apr 30 2022

web blanko graffiti skizzenbuch mein graffiti sketchbook a4 blanko skizzenbuch mit 120 stylefile marker classic sketchbook skizzenbuch din a4 derwent 2301607 skizzenbuch din a4 mit 86 seiten xroel skizzenbücher kaufen skizzenbuch günstig bestellen sketchbooks amp skizzenbücher günstig online

[mein graffiti skizzenbuch großes blanko sketchbook für](#) - Jun 13 2023

web mein graffiti skizzenbuch großes blanko sketchbook für sprayer und andere künstler zeichenbuch blacky dan amazon de bücher bücher film kunst kultur medien neu 7 99 preisangaben inkl ust abhängig von der lieferadresse kann die ust an der kasse variieren weitere informationen gratis lieferung dienstags 25 april

**mein graffiti sketchbook a4 blanko skizzenbuch mit 120 seiten** - Feb 26 2022

web mein graffiti sketchbook a4 blanko skizzenbuch mit 120 seiten für 120 graffiti pieces ideales geschenk für einen künstler by graffiti notizbücher publishing april 20th 2020 weitere produktinformationen zu stylefile marker premium skizzenbuch din a4 vertikal oft ist eine zeichnung nur so gut wie das papier auf das man malt und

**mein graffiti sketchbook a4 blanko skizzenbuch mit 120 seiten** - Dec 27 2021

web jun 15 2023 mein graffiti sketchbook a4 blanko skizzenbuch mit 120 seiten für 120 graffiti pieces ideales geschenk für einen künstler by graffiti notizbücher publishing besten produkte marken sketchbook günstig kaufen ebay

[mein graffiti sketchbook a4 blanko skizzenbuch mi copy](#) - Sep 04 2022

web right here we have countless books mein graffiti sketchbook a4 blanko skizzenbuch mi and collections to check out we additionally find the money for variant types and afterward type of the books to browse

**mein graffiti skizzenbuch großes blanko sketchbook zum** - Aug 15 2023

web mein graffiti skizzenbuch großes blanko sketchbook zum selbstgestalten street art blacky dan amazon com tr kitap [mein graffiti sketchbook a4 blanko skizzenbuch mit 120 seiten](#) - May 12 2023

web graffiti sketchbook a4 blanko skizzenbuch mit 120 boesner skizzenbuch boesner graffiti buch kinder das beste aus 2020 ranking papier a4 perforiert blanko test testsieger die besten online lesen zeichenbuch a4 skizzenbuch sketchbook arteza hardcover

[mein graffiti sketchbook a4 blanko skizzenbuch mit 120 seiten](#) - Jul 02 2022

web jun 20 2023 mein graffiti sketchbook a4 blanko skizzenbuch mit 120 seiten für 120 graffiti pieces ideales geschenk für einen künstler by graffiti notizbücher publishing skizzenbuch mit durchsichtigem

[mein graffiti sketchbook a4 blanko skizzenbuch mi fiona](#) - Aug 03 2022

web kindly say the mein graffiti sketchbook a4 blanko skizzenbuch mi is universally compatible with any devices to read prince of the prism earl f crago 2013 02 22 prince of the prism for millennia mankind stripped earth of its precious minerals and rain forests leaving it a dry desolate uninhabitable place deep below the

**mein graffiti sketchbook a4 blanko skizzenbuch mi pdf pdf** - Oct 05 2022

web mein graffiti sketchbook a4 blanko skizzenbuch mi pdf pages 2 20 mein graffiti sketchbook a4 blanko skizzenbuch mi pdf upload mita k hayda 2 20 downloaded from devy ortax org on september 7 2023 by mita k hayda effectively by understanding planning and implementing essential concepts of leadership and strategy you will

**graffiti sketchbook graffiti skizzenbuch din a4 blanko sketchbook** - Mar 10 2023

web graffiti sketchbook graffiti skizzenbuch din a4 blanko sketchbook mit 108 seiten für sprayer zum selbstgestalten von graffiti pieces ideales geschenk für einen künstler v sprayer skizzenbuch graffiti sketchbook amazon de bücher

***mein graffiti sketchbook a4 blanko skizzenbuch mi pdf*** - Jan 08 2023

web may 29 2023 the publication mein graffiti sketchbook a4 blanko skizzenbuch mi that you are looking for it will unquestionably squander the time however below similar to you visit this web page it will be so extremely easy to acquire as without difficulty as download guide mein graffiti sketchbook a4 blanko skizzenbuch mi

**mein graffiti sketchbook a4 blanko skizzenbuch mit 120 seiten** - Jul 14 2023

web mein graffiti sketchbook a4 blanko skizzenbuch mit 120 seiten für 120 graffiti pieces ideales geschenk für einen künstler publishing graffiti notizbücher amazon de bücher

**mein graffiti sketchbook a4 blanko skizzenbuch mi** - Jun 01 2022

web mein graffiti sketchbook a4 blanko skizzenbuch mi downloaded from old cosmc org by guest rhodes parsons junior theory level 1 hispanic studies culture and ideas batchelder honor book recipient sonja danowski takes us on a journey into a beautiful mysterious world where cooperation and generosity save the day and friendships make it

***amazon com graffiti sketchbook*** - Feb 09 2023

web blackbook graffiti sketchbook notebook for drawing painting sketching or doodling 118 pages white blank and brick textured 8 5 x 11 inches by 187 designz 3 5 out of 5 stars 3 paperback 7 99 7 99 free delivery sat sep 16 on 25 of items shipped by amazon or fastest delivery fri sep 15

**graffiti skizzenbuch din a4 blanko sketchbook mit 108 seiten** - Mar 30 2022

web graffiti skizzenbuch din a4 blanko sketchbook mit 108 seiten für sprayer zum selbstgestalten ideales geschenk für einen künstler school graffiti amazon de bücher

**il grande libro dei temi di attualità nuovissimi temi svolti scuole** - Aug 25 2022

web nuovissimi temi svolti scuole superiori maturità concorsi copertina flessibile 31 marzo 2022 di luca breda autore domenico milletti autore 4 2 48 voti parte di il grande libro dei temi di attualità 4 libri visualizza tutti i formati ed edizioni copertina flessibile 16 90 2 nuovo a partire da 15 90

**il tema di attualità pk5 2 edizioni simone** - Jun 03 2023

web gli argomenti selezionati trattano le questioni di maggiore rilevanza del nostro tempo e ad alto tasso di probabilità tra cui la diffusione del populismo l'emergenza immigrazione il razzismo la crisi economica il fenomeno del femminicidio lo sviluppo sostenibile la figura di papa francesco tutti i libri della collana in tasca indice

*simulazioni della prima prova maturità tema d'attualità skoola net* - Feb 16 2022

web jun 15 2022 simulazioni della prima prova maturità tema d'attualità redigere un tema di attualità alla maturità 2023 non sarà una passeggiata per questo rileggere le tracce e osservare con attenzione

**tema attualità maturità 2024 svolgimento struttura e tracce** - Sep 06 2023

web jul 17 2023 nel regolamento del miur sul primo scritto dell'esame di stato c'è scritto che la traccia c prevede la trattazione di un tema su un argomento di ordine generale attinto al corrente

*tracce attualità maturità 2023 il totem degli studenti* - Mar 20 2022

web jun 14 2023 ecco quali temi secondo gli studenti potrebbero uscire nella traccia d'attualità l'intelligenza artificiale la morte regina elisabetta ii e l'incoronazione re carlo iii il terremoto in

**maturità 2023 tutte le soluzioni di prima prova e i temi svolti** - Oct 27 2022

web jun 21 2023 come da tradizione la prima prova di italiano sancisce l'inizio ufficiale degli esami di stato ecco le soluzioni dei temi e le tracce svolte dai tutor di ripetizioni it di

*maturità 2024 le tracce svolte degli anni precedenti studenti it* - Jun 22 2022

web aug 25 2023 il tema di attualità per la prima prova scritta del nuovo esame di stato tracce svolte di tipologia c 5 49 da vedi l'offerta 18 il libro completo della prima prova per

**il libro completo della prima prova per la nuova maturità temi svolti** - May 22 2022

web il libro completo della prima prova per la nuova maturità temi svolti guidati con mappe concettuali breda luca milletti domenico desiato alessia amazon it libri

**esami di stato 2021 2022 istruzione it** - Dec 29 2022

web jun 23 2022 esami di stato 2021 2022 cosa cambia il ministro patrizio bianchi ha firmato le ordinanze che definiscono regole e procedure per l'ammissione lo svolgimento e la valutazione degli esami di stato per il primo ciclo l'esame si terrà nel periodo compreso tra la fine delle lezioni e il 30 giugno 2022 le prove saranno tre due scritte e

**maturità 2023 attualità per la prima prova possibili temi e argomenti** - Sep 25 2022

web mar 27 2023 maturità 2023 attualità per la prima prova possibili temi e argomenti guerre crisi ambientali e sociali morti illustri e scoperte che fanno ben sperare tutto materiale che i maturandi

**esami di stato 2022 2023 istruzione it** - Jan 30 2023

web jun 22 2023 nel 2023 l'esame di stato torna per il secondo ciclo di istruzione ad essere organizzato secondo le norme

vigenti ci saranno due prove scritte nazionali e un colloquio l'unica deroga riguarda i percorsi per le competenze trasversali e per l'orientamento pcto leggi di più sulla maturità 2023 commissari esterni come fare domanda

il tema di attualità per la prima prova scritta del nuovo esame di - Feb 28 2023

web gli argomenti selezionati trattano le questioni di maggiore rilevanza del nostro tempo e ad alto tasso di probabilità tra cui la diffusione del populismo l'emergenza immigrazione il razzismo la crisi economica il fenomeno del femmicidio lo sviluppo sostenibile la figura di papa francesco leggi di più lingua italiano memo non abilitata

tutto sulla maturità 2023 miur - May 02 2023

web le date delle prove la sessione dell'esame di stato 2022 2023 per il secondo ciclo di istruzione prende il via il 21 giugno 2023 alle ore 8 30 con lo svolgimento della prima prova scritta la seconda prova scritta si tiene il 22 giugno 2023 la terza prova scritta se prevista si tiene il 27 giugno 2023 alle ore 8 30 le prove suppletive

esame di stato 2022 questo argomento sarà trattato nello scritto di - Apr 20 2022

web jun 8 2022 esame di stato 2022 al via il toto temi ma su tutti prevarrà un argomento gli studenti farebbero bene a prepararlo gli studenti del quinto anno delle scuole superiori hanno completato le ultime interrogazioni hanno partecipato alle simulazioni dell'esame sia scritti che orali e sono quasi pronti per affrontare gli esami di maturità

il nuovo esame di stato mondadori education - Nov 27 2022

web per la tipologia c una prova svolta e alcune proposte di temi di attualità anche a partire da citazioni suggestive tratte da fonti autorevoli consigli e suggerimenti pratici anche per affrontare il colloquio e qualche aiuto su come riferire alla commissione le esperienze di avvicinamento al mondo del lavoro dall'asl al pcto

**il grande libro dei temi di attualità nuovissima raccolta di temi** - Apr 01 2023

web il grande libro dei temi di attualità nuovissima raccolta di temi svolti scuole superiori maturità concorsi breda luca milletti domenico amazon it libri

**tema di attualità svolto prima prova maturità 2023 tracce svolte** - Oct 07 2023

web jun 21 2023 traccia tema attualità 2023 tema di attualità tipologia c lettera aperta al ministro bianchi sull'esame di maturità e marco belpoliti con elogio dell'attesa nell'era di

**il nuovo esame di stato temi svolti di attualità prima prova** - Aug 05 2023

web il nuovo esame di stato temi svolti di attualità prima prova scritta per tutti gli istituti superiori in linea con l'ordinanza ministeriale dell'11 marzo 2019 n 205 copertina flessibile 21 marzo 2019 di aa vv autore 4 2 14 voti visualizza tutti i

i titoli dei temi dell'esame di stato 2022 informazionescuola.it - Jul 24 2022

web jun 22 2022 quali saranno i titoli dei temi della prima prova scritta dell'esame 2022 fra qualche ora il mistero sarà finalmente svelato gli studenti alle 8 30 in contemporanea in tutte le scuole italiane accederanno al plico telematico e

scaricheranno i temi della maturità 2022 cresce l'ansia l'attesa è tanta si pensa al tema sulla guerra

*prima prova maturità 2022 esempi di temi d'attualità skoola net* - Jul 04 2023

web apr 26 2022 esempi di temi d'attualità per la prima prova maturità 2022 lo scritto di italiano sarà la prima prova che gli studenti affronteranno all'esame di stato tra le tre tipologie di prova il tema