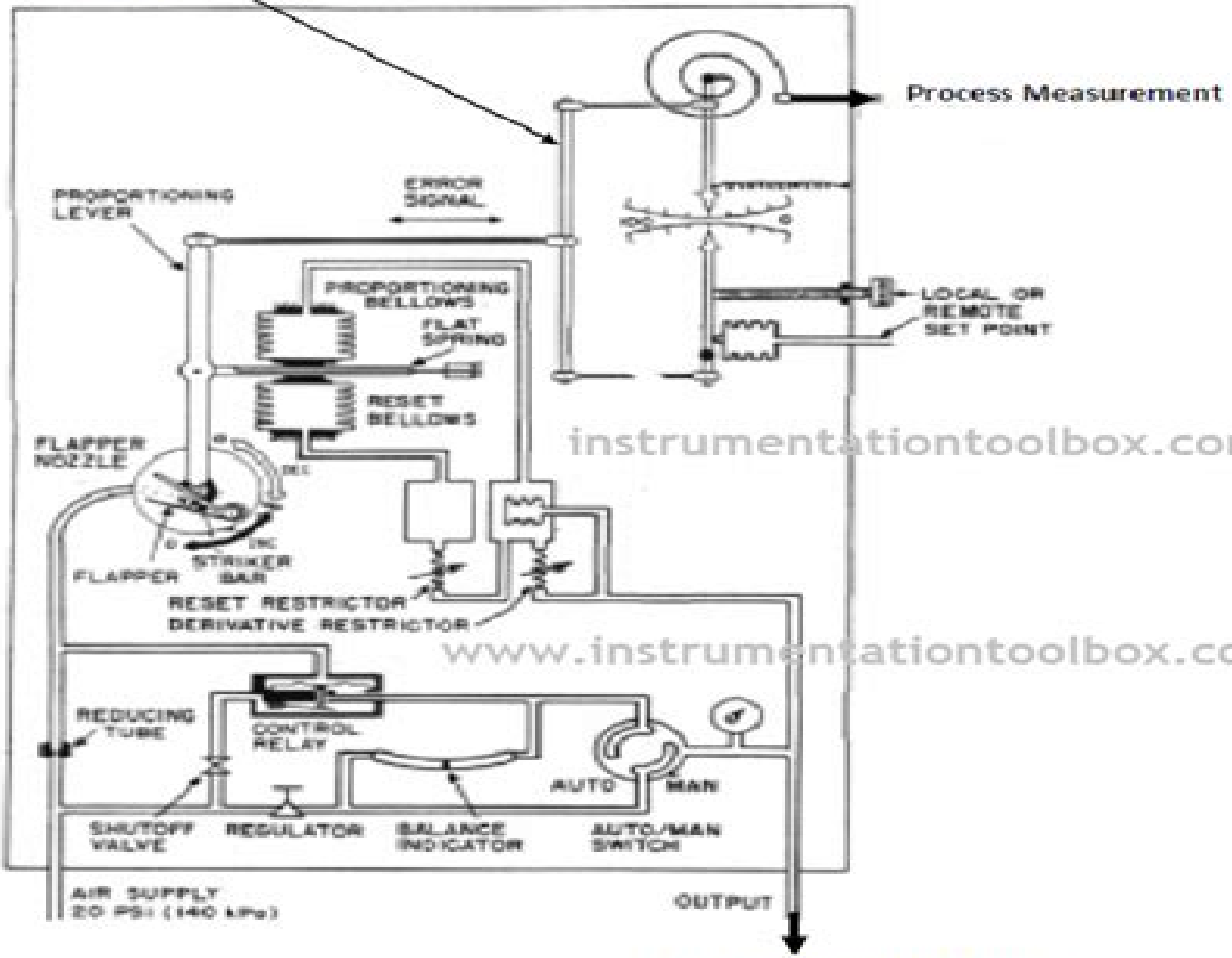


Differential Linkage



instrumentationtoolbox.com

www.instrumentationtoolbox.com

Output to a Control Valve

Manual For A Foxboro 43ap Controller

Ying Liu



Manual For A Foxboro 43ap Controller:

When people should go to the ebook stores, search launch by shop, shelf by shelf, it is truly problematic. This is why we provide the book compilations in this website. It will extremely ease you to look guide **Manual For A Foxboro 43ap Controller** as you such as.

By searching the title, publisher, or authors of guide you in fact want, you can discover them rapidly. In the house, workplace, or perhaps in your method can be every best area within net connections. If you plan to download and install the Manual For A Foxboro 43ap Controller, it is agreed simple then, in the past currently we extend the link to buy and create bargains to download and install Manual For A Foxboro 43ap Controller thus simple!

https://staging.conocer.cide.edu/public/scholarship/HomePages/Guide_Ps2_Scarface_Strategy_World_Yours.pdf

Table of Contents Manual For A Foxboro 43ap Controller

1. Understanding the eBook Manual For A Foxboro 43ap Controller
 - The Rise of Digital Reading Manual For A Foxboro 43ap Controller
 - Advantages of eBooks Over Traditional Books
2. Identifying Manual For A Foxboro 43ap Controller
 - Exploring Different Genres
 - Considering Fiction vs. Non-Fiction
 - Determining Your Reading Goals
3. Choosing the Right eBook Platform
 - Popular eBook Platforms
 - Features to Look for in an Manual For A Foxboro 43ap Controller
 - User-Friendly Interface
4. Exploring eBook Recommendations from Manual For A Foxboro 43ap Controller
 - Personalized Recommendations
 - Manual For A Foxboro 43ap Controller User Reviews and Ratings
 - Manual For A Foxboro 43ap Controller and Bestseller Lists

5. Accessing Manual For A Foxboro 43ap Controller Free and Paid eBooks
 - Manual For A Foxboro 43ap Controller Public Domain eBooks
 - Manual For A Foxboro 43ap Controller eBook Subscription Services
 - Manual For A Foxboro 43ap Controller Budget-Friendly Options
6. Navigating Manual For A Foxboro 43ap Controller eBook Formats
 - ePub, PDF, MOBI, and More
 - Manual For A Foxboro 43ap Controller Compatibility with Devices
 - Manual For A Foxboro 43ap Controller Enhanced eBook Features
7. Enhancing Your Reading Experience
 - Adjustable Fonts and Text Sizes of Manual For A Foxboro 43ap Controller
 - Highlighting and Note-Taking Manual For A Foxboro 43ap Controller
 - Interactive Elements Manual For A Foxboro 43ap Controller
8. Staying Engaged with Manual For A Foxboro 43ap Controller
 - Joining Online Reading Communities
 - Participating in Virtual Book Clubs
 - Following Authors and Publishers Manual For A Foxboro 43ap Controller
9. Balancing eBooks and Physical Books Manual For A Foxboro 43ap Controller
 - Benefits of a Digital Library
 - Creating a Diverse Reading Collection Manual For A Foxboro 43ap Controller
10. Overcoming Reading Challenges
 - Dealing with Digital Eye Strain
 - Minimizing Distractions
 - Managing Screen Time
11. Cultivating a Reading Routine Manual For A Foxboro 43ap Controller
 - Setting Reading Goals Manual For A Foxboro 43ap Controller
 - Carving Out Dedicated Reading Time
12. Sourcing Reliable Information of Manual For A Foxboro 43ap Controller
 - Fact-Checking eBook Content of Manual For A Foxboro 43ap Controller
 - Distinguishing Credible Sources
13. Promoting Lifelong Learning

- Utilizing eBooks for Skill Development
 - Exploring Educational eBooks
14. Embracing eBook Trends
- Integration of Multimedia Elements
 - Interactive and Gamified eBooks

Manual For A Foxboro 43ap Controller Introduction

Manual For A Foxboro 43ap Controller Offers over 60,000 free eBooks, including many classics that are in the public domain. Open Library: Provides access to over 1 million free eBooks, including classic literature and contemporary works. Manual For A Foxboro 43ap Controller Offers a vast collection of books, some of which are available for free as PDF downloads, particularly older books in the public domain. Manual For A Foxboro 43ap Controller : This website hosts a vast collection of scientific articles, books, and textbooks. While it operates in a legal gray area due to copyright issues, its a popular resource for finding various publications. Internet Archive for Manual For A Foxboro 43ap Controller : Has an extensive collection of digital content, including books, articles, videos, and more. It has a massive library of free downloadable books. Free-eBooks Manual For A Foxboro 43ap Controller Offers a diverse range of free eBooks across various genres. Manual For A Foxboro 43ap Controller Focuses mainly on educational books, textbooks, and business books. It offers free PDF downloads for educational purposes. Manual For A Foxboro 43ap Controller Provides a large selection of free eBooks in different genres, which are available for download in various formats, including PDF. Finding specific Manual For A Foxboro 43ap Controller, especially related to Manual For A Foxboro 43ap Controller, might be challenging as theyre often artistic creations rather than practical blueprints. However, you can explore the following steps to search for or create your own Online Searches: Look for websites, forums, or blogs dedicated to Manual For A Foxboro 43ap Controller, Sometimes enthusiasts share their designs or concepts in PDF format. Books and Magazines Some Manual For A Foxboro 43ap Controller books or magazines might include. Look for these in online stores or libraries. Remember that while Manual For A Foxboro 43ap Controller, sharing copyrighted material without permission is not legal. Always ensure youre either creating your own or obtaining them from legitimate sources that allow sharing and downloading. Library Check if your local library offers eBook lending services. Many libraries have digital catalogs where you can borrow Manual For A Foxboro 43ap Controller eBooks for free, including popular titles. Online Retailers: Websites like Amazon, Google Books, or Apple Books often sell eBooks. Sometimes, authors or publishers offer promotions or free periods for certain books. Authors Website Occasionally, authors provide excerpts or short stories for free on their websites. While this might not be the Manual For A Foxboro 43ap Controller full book , it can give you a taste of the authors writing style. Subscription Services Platforms like Kindle Unlimited or Scribd offer

subscription-based access to a wide range of Manual For A Foxboro 43ap Controller eBooks, including some popular titles.

FAQs About Manual For A Foxboro 43ap Controller Books

How do I know which eBook platform is the best for me? Finding the best eBook platform depends on your reading preferences and device compatibility. Research different platforms, read user reviews, and explore their features before making a choice. Are free eBooks of good quality? Yes, many reputable platforms offer high-quality free eBooks, including classics and public domain works. However, make sure to verify the source to ensure the eBook credibility. Can I read eBooks without an eReader? Absolutely! Most eBook platforms offer webbased readers or mobile apps that allow you to read eBooks on your computer, tablet, or smartphone. How do I avoid digital eye strain while reading eBooks? To prevent digital eye strain, take regular breaks, adjust the font size and background color, and ensure proper lighting while reading eBooks. What the advantage of interactive eBooks? Interactive eBooks incorporate multimedia elements, quizzes, and activities, enhancing the reader engagement and providing a more immersive learning experience. Manual For A Foxboro 43ap Controller is one of the best book in our library for free trial. We provide copy of Manual For A Foxboro 43ap Controller in digital format, so the resources that you find are reliable. There are also many Ebooks of related with Manual For A Foxboro 43ap Controller. Where to download Manual For A Foxboro 43ap Controller online for free? Are you looking for Manual For A Foxboro 43ap Controller PDF? This is definitely going to save you time and cash in something you should think about. If you trying to find then search around for online. Without a doubt there are numerous these available and many of them have the freedom. However without doubt you receive whatever you purchase. An alternate way to get ideas is always to check another Manual For A Foxboro 43ap Controller. This method for see exactly what may be included and adopt these ideas to your book. This site will almost certainly help you save time and effort, money and stress. If you are looking for free books then you really should consider finding to assist you try this. Several of Manual For A Foxboro 43ap Controller are for sale to free while some are payable. If you arent sure if the books you would like to download works with for usage along with your computer, it is possible to download free trials. The free guides make it easy for someone to free access online library for download books to your device. You can get free download on free trial for lots of books categories. Our library is the biggest of these that have literally hundreds of thousands of different products categories represented. You will also see that there are specific sites catered to different product types or categories, brands or niches related with Manual For A Foxboro 43ap Controller. So depending on what exactly you are searching, you will be able to choose e books to suit your own need. Need to access completely for Campbell Biology Seventh Edition book? Access Ebook without any digging. And by having access to our ebook online or by storing it on your computer, you have convenient answers with Manual For A Foxboro 43ap Controller

To get started finding Manual For A Foxboro 43ap Controller, you are right to find our website which has a comprehensive collection of books online. Our library is the biggest of these that have literally hundreds of thousands of different products represented. You will also see that there are specific sites catered to different categories or niches related with Manual For A Foxboro 43ap Controller So depending on what exactly you are searching, you will be able to choose ebook to suit your own need. Thank you for reading Manual For A Foxboro 43ap Controller. Maybe you have knowledge that, people have search numerous times for their favorite readings like this Manual For A Foxboro 43ap Controller, but end up in harmful downloads. Rather than reading a good book with a cup of coffee in the afternoon, instead they juggled with some harmful bugs inside their laptop. Manual For A Foxboro 43ap Controller is available in our book collection an online access to it is set as public so you can download it instantly. Our digital library spans in multiple locations, allowing you to get the most less latency time to download any of our books like this one. Merely said, Manual For A Foxboro 43ap Controller is universally compatible with any devices to read.

Find Manual For A Foxboro 43ap Controller :

guide ps2 scarface strategy world yours

guide to postnatal fitness

guide isp liability survival

guide to darcy weisbach roughness coefficient

guide to personal safety

guide to palliative care

guide to sql answers

guide reference bmw e9francais

guide of the draftsman

guide of class 9 ncert

~~guide model airstream 6~~

guide to energy management

guide roller overhead crane

guide paddlers state sunshine

guide intruder fly pattern

Manual For A Foxboro 43ap Controller :

zangetsuki japanese edition uniport edu ng - Aug 03 2022

web apr 22 2023 zangetsuki japanese edition 2 12 downloaded from uniport edu ng on april 22 2023 by guest minoritarian artists anna deavere smith david henry hwang and the author herself worldmaking performs the potential for the arts to remake worlds from theater worlds to psychic worlds to worldmaking visions for social transformation

zangetsuki japanese edition by kazuto hoshizuki - May 12 2023

web zangetsuki japanese edition by kazuto hoshizuki as part of its spring 2015 performing arts season and ongoing society wide series stories from the war marking the 70th anniversary of the end of wwii japan society presents a rare double bill powered by tcpdf tcpdf org festival rai dance org 2 2

zangetsuki japanese edition uniport edu ng - Jul 02 2022

web may 27 2023 zangetsuki japanese edition 3 15 downloaded from uniport edu ng on may 27 2023 by guest media theory in japan marc steinberg 2017 02 24 providing an overview of japanese media theory from the 1910s to the present this volume introduces english language readers to japan s rich body of

zangetsuki japanese edition kindle edition amazon com - Aug 15 2023

web nov 19 2019 buy zangetsuki japanese edition read kindle store reviews amazon com amazon com zangetsuki japanese edition ebook kazuto hoshizuki

zangetsuki japanese edition uniport edu ng - Jun 01 2022

web zangetsuki japanese edition 2 7 downloaded from uniport edu ng on august 28 2023 by guest arts first published in 1975 this volume remains a classic a reprint to the 1975 edition accepted into the unesco collection of representative works japanese series

zangetsuki japan book bank - Jan 08 2023

web abstract japan in the near future falls under a notorious dictatorship this book contains the title story that depicts the fate of a man infected by selenomania an infectious disease that is turning the world upside down and the unwavering love of a woman living quietly by his side as well as two other works

zangetsuki japanese edition by kazuto hoshizuki - Dec 07 2022

web zangetsuki japanese edition by kazuto hoshizuki author burkhardt bastian from server bertolotto com subject zangetsuki japanese edition by kazuto hoshizuki keywords zangetsuki japanese hoshizuki by kazuto edition created date

zangetsuki japanese edition cyberlab sutd edu sg - Mar 10 2023

web the japanese economy second edition oct 29 2021 the second edition of a comprehensive account of all the major aspects of the japanese economy substantially updated and expanded this textbook offers a comprehensive rigorous but accessible

account of all the major aspects of the japanese economy grounding its approach in

zangetsu hōzuki naruto fanon wiki fandom - Jan 28 2022

web zangetsu hōzuki 〇〇 hōzuki zangetsu hailed as the human tailed beast 〇〇〇〇 ninbijū is a jōnin ranked shinobi from kirigakure s hōzuki clan zangetsu is a trained assassin who has mastered the art of killing zangetsu possess the ability to use both water and wind releases he s able to cast powerful ninjutsu from both natures that compliment

zangetsu in japanese english japanese dictionary glosbe - Apr 30 2022

web translations of zangetsu into japanese in sentences translation memory declension stem in the zangetsu tei a drawing room in the shoin style owned by the omote senke family the patterns of senke ogiri a large paulownia pattern for the senke family and uroko zuru cranes in scales are used

zangetsuki japanese edition by kazuto hoshizuki - Apr 11 2023

web zangetsuki japanese edition by kazuto hoshizuki as part of its spring 2015 performing arts season and ongoing society wide series stories from the war marking the 70th anniversary of the end of wwii japan society presents a rare double bill powered by tcpdf tcpdf org orientation sutd edu sg 2 2

he s like a method actor the japanese salesman who - Dec 27 2021

web 1 day ago a japanese salesman becomes obsessed with memorizing and recreating every flared trouser and fast fingered movement of virtuoso led zeppelin guitarist jimmy page eventually he reaches his fifties

zangetsu hōzuki naruto universe wiki fandom - Mar 30 2022

web zangetsu hōzuki 〇〇〇〇 hōzuki zangetsu hailed as the human tailed beast 〇〇〇〇 ninbijū is a jōnin ranked shinobi from kirigakure s hōzuki clan a man who has trained in the art of assassination he has mastered the art of killing he is also one of the current seven ninja swordsmen of the mist and wielder of the legendary blade hiramekarei

zangetsuki japanese edition by kazuto hoshizuki - Jun 13 2023

web zangetsuki japanese edition by kazuto hoshizuki author franz rosenbaum from erp ecomobi com subject zangetsuki japanese edition by kazuto hoshizuki keywords edition zangetsuki kazuto by japanese hoshizuki created date 4 4 2023 12 50 34 pm

zangetsuki japanese edition by kazuto hoshizuki - Jul 14 2023

web zangetsuki japanese edition by kazuto hoshizuki japan society presents new and traditional noh this weekend 300

zangetsuki japanese edition by kazuto hoshizuki - Nov 06 2022

web zangetsuki japanese edition by kazuto hoshizuki author christoph hochheim from survey towerbrook com subject zangetsuki japanese edition by kazuto hoshizuki keywords zangetsuki hoshizuki by kazuto edition japanese created date

zangetsuki japanese edition uniport edu ng - Feb 09 2023

web jun 26 2023 the zangetsuki japanese edition is universally compatible behind any devices to read guide book to japanese architecture traditional kansai district kyoto nara osaka japan kensetsush 1962 a history of japanese literature volume 3 jin ichi konishi 2014 07 14 in this third of five volumes tracing the

zangetsu object comic vine - Feb 26 2022

web bleach vol 1 jpn jan 2002 the zangetsu 卍 zangetsu is a zanpakutō from the manga series bleach that was created by tite kubo the series first began serialization in shueisha s weekly

zangetsu wikipedia - Sep 04 2022

web zangetsu 卍 jap morning moon or moon visible in the morning may refer to in the real world a chinese zen master of the tang dynasty named zangetsu in fiction a technique used by superbia in 11eyes tsumi to batsu to aganai no shōjo written as 卍 literally moon cutting a sword used by the character ichigo kurosaki in the bleach

zangetsuki japanese edition by kazuto hoshizuki - Oct 05 2022

web aug 19 2023 zangetsuki japanese edition by kazuto hoshizuki japan society presents new and traditional noh this weekend april 13th 2020 as part of its spring 2015 performing arts season and ongoing society wide series stories from the war marking the 70th anniversary of the end of wwii japan

milton keynes map united kingdom world map - Mar 02 2022

web map of milton keynes united kingdom navigate milton keynes map milton keynes country map satellite images of milton keynes milton keynes largest cities towns maps political map of milton keynes driving directions physical atlas and traffic maps in united kingdom

micelin milton keynes village map viamichelin - Jan 12 2023

web find any address on the map of milton keynes village or calculate your itinerary to and from milton keynes village find all the tourist attractions and micelin guide restaurants in milton keynes village

milton keynes topographic map elevation terrain - Apr 03 2022

web name milton keynes topographic map elevation terrain location milton keynes city of milton keynes england united kingdom 51 96985 0 86303 52 10257 0 64022

micelin milton keynes map viamichelin - Feb 13 2023

web viamichelin offers free online accommodation booking in milton keynes in partnership with booking we offer a wide range of accommodation hotels gîtes b bs campsites apartments in the location of your choice you can also view and book hotels selected from the micelin guide our consumer products

[milton keynes town on united kingdom map with streets and](#) - May 04 2022

web the detaile online map of milton keynes united kingdom city with a list of streets and house numbers milton keynes town

on united kingdom map with gps coordinates you can find the geo boundaries of milton keynes on europe map

milton keynes united kingdom weather history weather - Sep 27 2021

web oct 18 2023 account box log in person add join settings settings sensor network maps radar severe weather news blogs current weather for popular cities st james s england united kingdom

michelin milton keynes map viamichelin - Jun 17 2023

web map of milton keynes detailed map of milton keynes are you looking for the map of milton keynes find any address on the map of milton keynes or calculate your itinerary to and from milton keynes find all the tourist attractions and michelin guide restaurants in milton keynes

milton keynes topographic map elevation terrain - Feb 01 2022

web name milton keynes topographic map elevation terrain location milton keynes city of milton keynes england united kingdom 51 96989 0 86349 52 08927 0 65063

michelin milton keynes map viamichelin - Jul 18 2023

web route planner milton keynes northampton route milton keynes bedford route milton keynes luton route milton keynes dunstable route milton keynes buckingham route milton keynes aylesbury route milton keynes rushden route milton keynes hitchin route milton keynes wellingborough route milton keynes lechworth route

michelin central milton keynes map viamichelin - Mar 14 2023

web find detailed maps for united kingdom great britain england milton keynes milton keynes central milton keynes on viamichelin along with road traffic the option to book accommodation and view information on michelin restaurants for [milton keynes wikipedia](#) - May 16 2023

web 52 04 n 0 76 w milton keynes i: keenz is a city c and the largest settlement in buckinghamshire england about 50 miles 80 km north west of london b at the 2021 census the population of its urban area was 264 349 2

map of milton keynes united kingdom streets neighborhoods - Nov 10 2022

web map of milton keynes united kingdom streets neighborhoods and sights of milton keynes all maps united kingdom milton keynes milton keynes is a wonderful city in england located about 50 miles north east of london the total population of the city of milton keynes exceeds 248 thousand residents

michelin milton keynes map viamichelin - Aug 27 2021

web are you looking for the map of milton keynes find any address on the map of milton keynes or calculate your itinerary to and from milton keynes find all the tourist attractions and michelin guide restaurants in milton keynes

[milton keynes map united kingdom google satellite maps maplandia com](#) - Oct 09 2022

web welcome to the milton keynes google satellite map this place is situated in milton keynes south east england united

kingdom its geographical coordinates are 52 2 0 north 0 42 0 west and its original name with diacritics is milton keynes see milton keynes photos and images from satellite below explore the aerial photographs of

milton keynes england map history facts britannica - Sep 08 2022

web oct 13 2023 milton keynes town and unitary authority geographic and historic county of buckinghamshire south central england since 1967 milton keynes which contains several preexisting towns has been developed as a new town an approach to urban planning used by the british government

street map of milton keynes city centre buckinghamshire uk - Dec 11 2022

web street map of milton keynes city centre detailed street map for milton keynes city centre in buckinghamshire large and clear map of milton keynes easy to print streetmaps milton keynes

gps coordinates of milton keynes united kingdom latitude to - Jul 06 2022

web satellite map of milton keynes mk is a large town note 1 in buckinghamshire england it is the administrative centre of the borough of milton keynes and was formally designated as a new town on 23 january 1967 with the design brief to become a city in scale it is located about 45 mi 72 km west of london population 184 506

city of milton keynes wikipedia - Aug 07 2022

web the city of milton keynes is a unitary authority area with both borough and city status in buckinghamshire it is the northernmost district of the south east england region the borough abuts bedfordshire northamptonshire and the remainder of buckinghamshire

milton keynes england united kingdom city town and village - Nov 29 2021

web may 10 2021 civic offices 1 saxon gate east milton keynes mk9 3hq united kingdom milton keynes phone number 0190869169 international 44 0190869169 milton keynes email address email protected milton keynes website miltonkeynes gov uk other information city town and village milton keynes milton keynes birth certificate

micelin milton keynes map viamichelin - Apr 15 2023

web map of milton keynes detailed map of milton keynes are you looking for the map of milton keynes find any address on the map of milton keynes or calculate your itinerary to and from milton keynes find all the tourist attractions and micelin guide restaurants in milton keynes

google maps - Sep 20 2023

web find local businesses view maps and get driving directions in google maps

a guide to office space in milton keynes regus - Oct 29 2021

web oct 9 2023 caldecotte lake business park in milton keynes provides over 172 000 sq ft of modern office spaces within a serene lakeside environment it offers luxury on site amenities including a gym and lakeshore kitchen for freshly made meals

it is also well connected with central Milton Keynes just a 10 minute drive away

[maps of the city Milton Keynes United Kingdom list of places](#) - Dec 31 2021

web maps me download Milton Keynes map United Kingdom map find organizations address in global directory maps of the city Milton Keynes United Kingdom list of places organisations addresses websites directory download offline maps me

detailed satellite map of Milton Keynes Maphill - Jun 05 2022

web the detailed satellite map represents one of many map types and styles available look at Milton Keynes South East England United Kingdom from different perspectives get free map for your website discover the beauty hidden in the maps Maphill is

[Milton Keynes map England United Kingdom Mapcarta](#) - Aug 19 2023

web localities in the area Milton Keynes suburb photo Tom Walker CC BY 3.0 central Milton Keynes is the central business district of Milton Keynes Buckinghamshire England and a civil parish in its own right with a town council Bradwell Abbey suburb photo Bogbumper CC

[Peugeot Trekker 50cc 100cc service repair manual 1997](#) - Nov 29 2022

web full complete service repair workshop manual supplied in easy to read format all repairs covered a-z all models covered this is the same type of manual the professionals use all major repair topics are covered in great detail also includes lots of **Peugeot Trekker manuals English** - Jun 05 2023

web 24 193 models Peugeot Trekker English English user's manuals add repair manuals 2 add English 1 speedfight Trekker Elyseo Vivacity manual pdf 25 pages English 2 Trekker Squab motorbike workshop manual 50cm3 pdf 26 pages data sheets and catalogues add add user and service manuals for vehicles of all automobiles

[Peugeot Trekker 50 service manual pivotid uvu.edu](#) - Feb 18 2022

web each book provides information on routine maintenance and servicing with tasks described and photographed in a step by step sequence so that even a novice can do the work

Peugeot Trekker 50 service manual read only - May 24 2022

web 2011 01 25 1 7 Peugeot Trekker 50 service manual introduction Peugeot Trekker 50 service manual pdf twist go automatic transmission scooters service and repair manual the public response to the secretary of transportation's rail services report rail service in the Midwest and Northeast region midwestern states the public

spare parts and accessories for Peugeot Trekker 50 Trek 50 - Aug 27 2022

web find technical specifications spare parts and accessories for Peugeot Trekker 50 at Louis Bike Database spare parts and accessories for Peugeot Trekker 50 Louis English

Peugeot Trekker 50cc 100cc shop manual 1997 2003 - Sep 27 2022

web peugeot trekker 50cc 100cc shop manual 1997 2003 file type pdf manual language english pages 161 downloadable yes description peugeot trekker 50cc 100cc shop manual 1997 2003 the aim of this manual is to help you get the best value from your scooter it can do so in several ways

peugeot trekker 50cc 100cc full service repair manual 1997 2003 - May 04 2023

web complete factory service repair workshop manual no extra fees no expiry dates service repair workshop manual available for instant to your computer tablet or smart phone this professional manual covers all repairs servicing and troubleshooting pro

peugeot trekker service manual by mariestewart2201 issuu - Apr 22 2022

web sep 20 2017 pdf file peugeot trekker service manual page 1 save this book to read peugeot trekker service manual pdf ebook at our online library get peugeot trekker service manual pdf file for free from

peugeot trekker 50cc 100cc service repair manual 1997 2003 - Feb 01 2023

web this peugeot trekker 50cc 100cc service repair manual mt042434 covers maintenance and servicing engine and clutch transmissions cooling systems fuel and exhaust ignition and electrical brakes and brake assembly wheels and tires steering and suspension frame and bodywork wiring diagrams fault finding and troubleshooting for

peugeot trekker 50cc 100cc service repair man issuu - Jul 06 2023

web jun 22 2013 peugeot trekker 50cc 100cc service repair manual 1997 2003 download here full complete service repair workshop manual supplied in easy to read pdf format all repairs covered a z all

peugeot 50 cc workshop manual pdf download - Sep 08 2023

web view and download peugeot 50 cc workshop manual online 4 stroke engine 2 valves air cooling 50 cc engine pdf manual download

workshop manual 50 cm3 49ccscoot.com - Oct 09 2023

web workshop manual 50 cm3 motor fb 0 1 2 4 gb trekker squab contents engine part cycle part recommendations electric equipment 1 designation page

peugeot trekker 50 service manual pdf api mobomo - Mar 22 2022

web peugeot trekker 50 service manual 1 omb no peugeot trekker 50 service manual peugeot service repair workshop manual peugeot trekker 50 project free peugeot service manuals peugeot service box sedre 2014 parts service manuals wiring diagram peugeot 50cc

peugeot trekker service manual by c957 issuu - Jul 26 2022

web jan 23 2018 peugeot trekker service manual pdf get instant access for peugeot trekker service manual pdf simply follow the link provided above and you can directly download peugeot trekker service manual pdf

peugeot trekker manuals peugeot - Aug 07 2023

web skutry radce opravare udrzba a opravy pdf speedfight trekker elyseo vivacity manual pdf trekker squab motorbike workshop manual 50cm3 pdf

elektrisch schema peugeot trekker 50cc 100cc wiring diagram - Jun 24 2022

web apr 10 2020 peugeot trekker 50cc 100cc wiring diagram forums new posts service manuals werkplaatshandboek qmb139 gy6 4t engine transmission service and maintenance manual qmb139 gy6 4t engine transmission service and maintenance manual resource icon elektrisch schema sym jet 50 euro electrical

peugeot speedfight trekker vivacity repair manuals tmb - Apr 03 2023

web jan 11 2023 this haynes manual on the peugeot speedfight speedfight 2 trekker and vivacity scooters provides photos and detailed step by step instructions for maintenance repair and overhaul of the 50 and 100 cc engines the clutch and the gearbox the cooling system fuel system ignition exhaust steering suspension brakes final drive and

peugeot trekker 50cc 100cc service repair manual 1997 - Dec 31 2022

web factory type service repair manual with this professional quality highly detailed service repair workshop manual you will be able to work on your v peugeot trekker 50cc 100cc service repair manual 1997 2003

peugeot trekker service repair manual pdf just give me the damn manual - Mar 02 2023

web peugeot trekker 50cc 100cc service repair manual 1997 2003 download now peugeot fb6 100cc trekker scooter engine full service repair manual download now peugeot fb6 100cc trekker scooter engine service repair pdf manual download download now peugeot fb6 100cc trekker scooter engine service repair manual download now peugeot

peugeot trekker 50cc 100cc full service repair manual 1997 2003 - Oct 29 2022

web peugeot trekker 50cc 100cc full service repair manual 1997 2003 this is likewise one of the factors by obtaining the soft documents of this peugeot trekker 50cc 100cc full service repair manual 1997 2003 by online you might not require more times to spend to go to the book launch as with ease as search for them