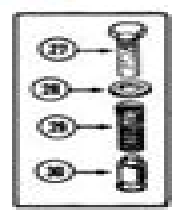
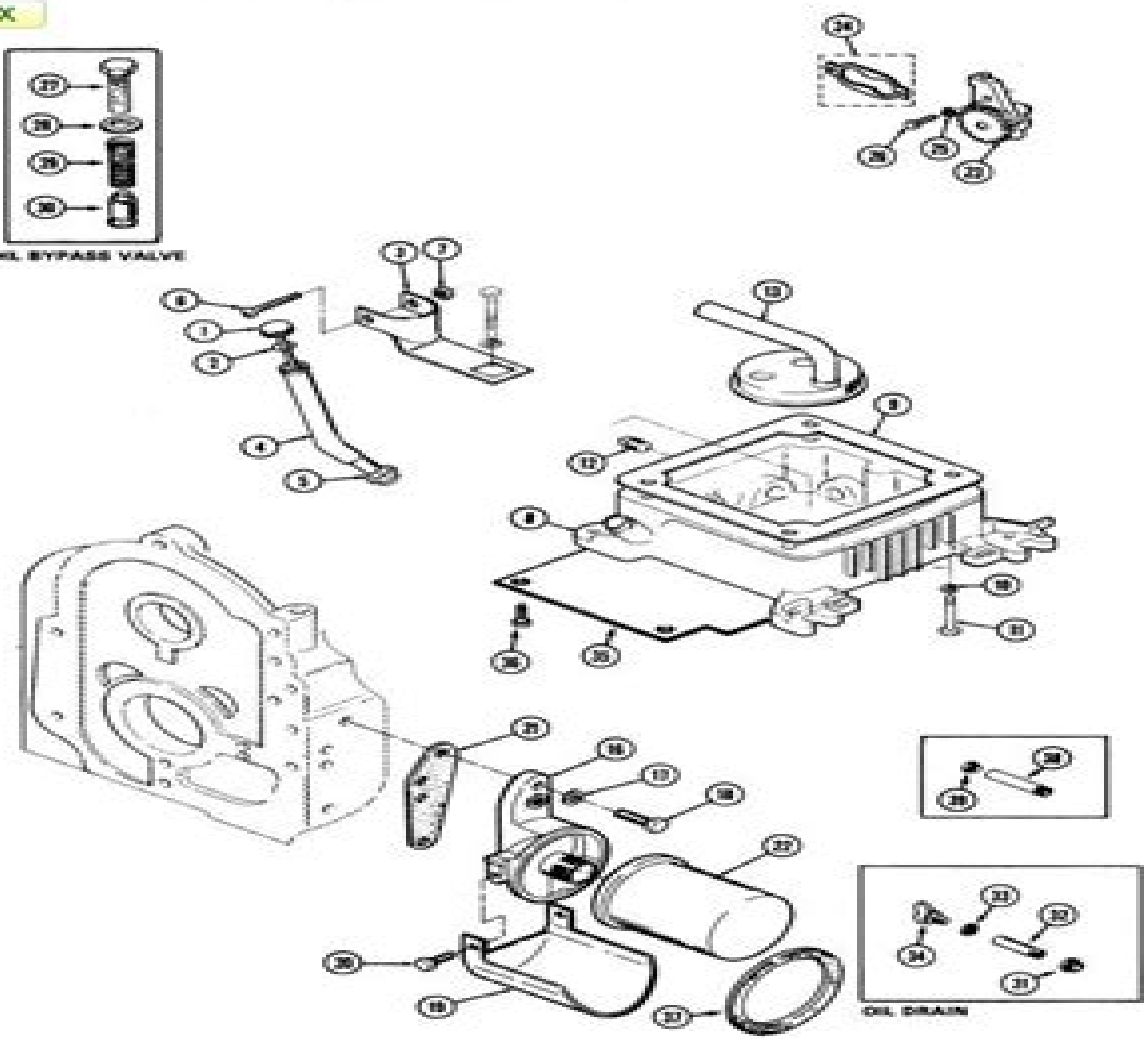


### OIL BASE, PUMP, FILTER, AND FILLER TUBE

#### INDEX



OIL BYPASS VALVE



# Ingersoll 4016 Service Manual

**Michal Rosen-Zvi**



**Ingersoll 4016 Service Manual:**

## Decoding **Ingersoll 4016 Service Manual**: Revealing the Captivating Potential of Verbal Expression

In an era characterized by interconnectedness and an insatiable thirst for knowledge, the captivating potential of verbal expression has emerged as a formidable force. Its ability to evoke sentiments, stimulate introspection, and incite profound transformations is genuinely awe-inspiring. Within the pages of "**Ingersoll 4016 Service Manual**," a mesmerizing literary creation penned by way of a celebrated wordsmith, readers attempt an enlightening odyssey, unraveling the intricate significance of language and its enduring impact on our lives. In this appraisal, we shall explore the book's central themes, evaluate its distinctive writing style, and gauge its pervasive influence on the hearts and minds of its readership.

<https://staging.conocer.cide.edu/data/scholarship/Documents/Garfield%20Tome%20La%20Diegravete%20Jamais.pdf>

### **Table of Contents Ingersoll 4016 Service Manual**

1. Understanding the eBook Ingersoll 4016 Service Manual
  - The Rise of Digital Reading Ingersoll 4016 Service Manual
  - Advantages of eBooks Over Traditional Books
2. Identifying Ingersoll 4016 Service Manual
  - Exploring Different Genres
  - Considering Fiction vs. Non-Fiction
  - Determining Your Reading Goals
3. Choosing the Right eBook Platform
  - Popular eBook Platforms
  - Features to Look for in an Ingersoll 4016 Service Manual
  - User-Friendly Interface
4. Exploring eBook Recommendations from Ingersoll 4016 Service Manual
  - Personalized Recommendations
  - Ingersoll 4016 Service Manual User Reviews and Ratings
  - Ingersoll 4016 Service Manual and Bestseller Lists

5. Accessing Ingersoll 4016 Service Manual Free and Paid eBooks
  - Ingersoll 4016 Service Manual Public Domain eBooks
  - Ingersoll 4016 Service Manual eBook Subscription Services
  - Ingersoll 4016 Service Manual Budget-Friendly Options
6. Navigating Ingersoll 4016 Service Manual eBook Formats
  - ePub, PDF, MOBI, and More
  - Ingersoll 4016 Service Manual Compatibility with Devices
  - Ingersoll 4016 Service Manual Enhanced eBook Features
7. Enhancing Your Reading Experience
  - Adjustable Fonts and Text Sizes of Ingersoll 4016 Service Manual
  - Highlighting and Note-Taking Ingersoll 4016 Service Manual
  - Interactive Elements Ingersoll 4016 Service Manual
8. Staying Engaged with Ingersoll 4016 Service Manual
  - Joining Online Reading Communities
  - Participating in Virtual Book Clubs
  - Following Authors and Publishers Ingersoll 4016 Service Manual
9. Balancing eBooks and Physical Books Ingersoll 4016 Service Manual
  - Benefits of a Digital Library
  - Creating a Diverse Reading Collection Ingersoll 4016 Service Manual
10. Overcoming Reading Challenges
  - Dealing with Digital Eye Strain
  - Minimizing Distractions
  - Managing Screen Time
11. Cultivating a Reading Routine Ingersoll 4016 Service Manual
  - Setting Reading Goals Ingersoll 4016 Service Manual
  - Carving Out Dedicated Reading Time
12. Sourcing Reliable Information of Ingersoll 4016 Service Manual
  - Fact-Checking eBook Content of Ingersoll 4016 Service Manual
  - Distinguishing Credible Sources
13. Promoting Lifelong Learning

- Utilizing eBooks for Skill Development
  - Exploring Educational eBooks
14. Embracing eBook Trends
- Integration of Multimedia Elements
  - Interactive and Gamified eBooks

### **Ingersoll 4016 Service Manual Introduction**

Ingersoll 4016 Service Manual Offers over 60,000 free eBooks, including many classics that are in the public domain. Open Library: Provides access to over 1 million free eBooks, including classic literature and contemporary works. Ingersoll 4016 Service Manual Offers a vast collection of books, some of which are available for free as PDF downloads, particularly older books in the public domain. Ingersoll 4016 Service Manual : This website hosts a vast collection of scientific articles, books, and textbooks. While it operates in a legal gray area due to copyright issues, its a popular resource for finding various publications. Internet Archive for Ingersoll 4016 Service Manual : Has an extensive collection of digital content, including books, articles, videos, and more. It has a massive library of free downloadable books. Free-eBooks Ingersoll 4016 Service Manual Offers a diverse range of free eBooks across various genres. Ingersoll 4016 Service Manual Focuses mainly on educational books, textbooks, and business books. It offers free PDF downloads for educational purposes. Ingersoll 4016 Service Manual Provides a large selection of free eBooks in different genres, which are available for download in various formats, including PDF. Finding specific Ingersoll 4016 Service Manual, especially related to Ingersoll 4016 Service Manual, might be challenging as theyre often artistic creations rather than practical blueprints. However, you can explore the following steps to search for or create your own Online Searches: Look for websites, forums, or blogs dedicated to Ingersoll 4016 Service Manual, Sometimes enthusiasts share their designs or concepts in PDF format. Books and Magazines Some Ingersoll 4016 Service Manual books or magazines might include. Look for these in online stores or libraries. Remember that while Ingersoll 4016 Service Manual, sharing copyrighted material without permission is not legal. Always ensure youre either creating your own or obtaining them from legitimate sources that allow sharing and downloading. Library Check if your local library offers eBook lending services. Many libraries have digital catalogs where you can borrow Ingersoll 4016 Service Manual eBooks for free, including popular titles. Online Retailers: Websites like Amazon, Google Books, or Apple Books often sell eBooks. Sometimes, authors or publishers offer promotions or free periods for certain books. Authors Website Occasionally, authors provide excerpts or short stories for free on their websites. While this might not be the Ingersoll 4016 Service Manual full book , it can give you a taste of the authors writing style. Subscription Services Platforms like Kindle Unlimited or Scribd offer subscription-based access to a wide range of Ingersoll 4016 Service Manual eBooks, including some

popular titles.

## **FAQs About Ingersoll 4016 Service Manual Books**

How do I know which eBook platform is the best for me? Finding the best eBook platform depends on your reading preferences and device compatibility. Research different platforms, read user reviews, and explore their features before making a choice. Are free eBooks of good quality? Yes, many reputable platforms offer high-quality free eBooks, including classics and public domain works. However, make sure to verify the source to ensure the eBook credibility. Can I read eBooks without an eReader? Absolutely! Most eBook platforms offer webbased readers or mobile apps that allow you to read eBooks on your computer, tablet, or smartphone. How do I avoid digital eye strain while reading eBooks? To prevent digital eye strain, take regular breaks, adjust the font size and background color, and ensure proper lighting while reading eBooks. What the advantage of interactive eBooks? Interactive eBooks incorporate multimedia elements, quizzes, and activities, enhancing the reader engagement and providing a more immersive learning experience. Ingersoll 4016 Service Manual is one of the best book in our library for free trial. We provide copy of Ingersoll 4016 Service Manual in digital format, so the resources that you find are reliable. There are also many Ebooks of related with Ingersoll 4016 Service Manual. Where to download Ingersoll 4016 Service Manual online for free? Are you looking for Ingersoll 4016 Service Manual PDF? This is definitely going to save you time and cash in something you should think about. If you trying to find then search around for online. Without a doubt there are numerous these available and many of them have the freedom. However without doubt you receive whatever you purchase. An alternate way to get ideas is always to check another Ingersoll 4016 Service Manual. This method for see exactly what may be included and adopt these ideas to your book. This site will almost certainly help you save time and effort, money and stress. If you are looking for free books then you really should consider finding to assist you try this. Several of Ingersoll 4016 Service Manual are for sale to free while some are payable. If you arent sure if the books you would like to download works with for usage along with your computer, it is possible to download free trials. The free guides make it easy for someone to free access online library for download books to your device. You can get free download on free trial for lots of books categories. Our library is the biggest of these that have literally hundreds of thousands of different products categories represented. You will also see that there are specific sites catered to different product types or categories, brands or niches related with Ingersoll 4016 Service Manual. So depending on what exactly you are searching, you will be able to choose e books to suit your own need. Need to access completely for Campbell Biology Seventh Edition book? Access Ebook without any digging. And by having access to our ebook online or by storing it on your computer, you have convenient answers with Ingersoll 4016 Service Manual To get started finding Ingersoll 4016 Service Manual, you are

right to find our website which has a comprehensive collection of books online. Our library is the biggest of these that have literally hundreds of thousands of different products represented. You will also see that there are specific sites catered to different categories or niches related with Ingersoll 4016 Service Manual So depending on what exactly you are searching, you will be able to choose ebook to suit your own need. Thank you for reading Ingersoll 4016 Service Manual. Maybe you have knowledge that, people have search numerous times for their favorite readings like this Ingersoll 4016 Service Manual, but end up in harmful downloads. Rather than reading a good book with a cup of coffee in the afternoon, instead they juggled with some harmful bugs inside their laptop. Ingersoll 4016 Service Manual is available in our book collection an online access to it is set as public so you can download it instantly. Our digital library spans in multiple locations, allowing you to get the most less latency time to download any of our books like this one. Merely said, Ingersoll 4016 Service Manual is universally compatible with any devices to read.

**Find Ingersoll 4016 Service Manual :**

[garfield tome la diegravete jamais](#)

**gangsters organized crime manual**

[gateway ne series manual](#)

**gars 3 scoring standard scores**

[garrick kemble siddons kean great shakespeareans volume ii](#)

[garmin gpsmap 492 manual](#)

**gas variables pogil answers**

[garmin nuvi 1300lmt owners manual](#)

[gardtec 595 eng manual](#)

**garrard 35sb turntable owner manual vintage**

[garden tractor repair manual craftsman](#)

[garmin venture manual](#)

[garmin gtx 320a installation manual](#)

[garmin nuvi 1300 repair](#)

[garmin gpsmap 60csx manual](#)



**Ingersoll 4016 Service Manual :**

**a year with aslan daily reflections from the chronicles of narnia** - Feb 15 2023

web oct 5 2010 lewis combines a novelist s insights into motives with a profound religious understanding new york times book review in the tradition of a year with c s

**a year with aslan daily reflections from the chronicles** - Jul 20 2023

web feb 7 2022 a year with aslan daily reflections from the chronicles of narnia by lewis c s clive staples 1898 1963 publication date 2010 topics a year with aslan will

*a year with aslan daily reflections from the chronicles of* - Jul 08 2022

web merely said the a year with aslan daily reflections from the chroni is universally compatible with any devices to read a year with god richard j foster 2009 12 29

*a year with aslan daily reflections from the chronicles* - May 18 2023

web oct 5 2010 1 review in the tradition of a year with c s lewis get your daily dose of inspiration from this one of a kind devotional collecting 365 readings from the beloved

[a year with aslan daily reflections from the chronicles of narnia](#) - Mar 16 2023

web this item a year with aslan daily reflections from the chronicles of narnia by c s lewis hardcover 33 50 only 4 left in stock more on the way ships from and sold by

[a year with aslan daily reflections from the chroni](#) bruce r - May 06 2022

web a year with aslan daily reflections from the chronicles a year with aslan daily reflections from the chronicles day 123 5 2 2020 c s lewis daily bible gateway day 154 6 3 2015 c

*a year with aslan daily reflections from the chroni* - Apr 05 2022

web discover and share books you love on goodreads

**a year with aslan daily reflections from the chronicles** - Dec 13 2022

web lewis combines a novelist s insights into motives with a profound religious understanding new york times book reviewin the tradition of a year with c s lewis get your daily

[a year with aslan daily reflections from the chronicles of narnia](#) - Jun 19 2023

web lewis combines a novelist s insights into motives with a profound religious understanding new york times book reviewin the tradition of a year with c s lewis get your daily

**a year with aslan daily reflections from the chronicle** - Aug 21 2023

web oct 1 2010 4 20 511 ratings59 reviews lewis combines a novelist s insights into motives with a profound religious understanding new york times book review in the

**a year with aslan daily reflections from the chronicles of narnia** - Oct 11 2022

web a year with aslan selects the most thought provoking and poignant passages from all seven books in the series and provides reflective questions that get the heart of what

**a year with aslan by c s lewis ebook scribd** - Sep 10 2022

web lewis combines a novelist s insights into motives with a profound religious understanding new york times book review in the tradition of a year with c s lewis get your daily

a year with aslan words of wisdom and reflection from the - Aug 09 2022

web in the tradition of a year with c s lewis get your daily dose of inspiration from this one of a kind devotional collecting 365 readings from the beloved chronicles of narnia c s

**loading interface goodreads** - Feb 03 2022

**a year with aslan daily reflections from the chronicles of narnia** - Jun 07 2022

web a year with aslan daily reflections from the chronicles of narnia is a powerful devotional book that draws inspiration from c s lewis renowned series since its

**a year with aslan daily reflections from the chronicles of** - Mar 04 2022

web a year with aslan daily reflections from the chroni if you ally habit such a referred a year with aslan daily reflections from the chroni ebook that will give you worth

**a year with aslan daily reflections from the chronicles** - Nov 12 2022

web oct 5 2010 lewis combines a novelist s insights into motives with a profound religious understanding new york times book review in the tradition of a year with c s

*a year with aslan daily reflections from the chronicles* - Apr 17 2023

web a year with aslan zondervan religion 480 pages 0 reviews for more than fifty years the world c s lewis created in narnia has captured our hearts and imaginations both

a year with aslan daily reflections from the chroni c s - Jan 02 2022

*a year with aslan daily reflections from the chronicles* - Jan 14 2023

web a year with aslan daily reflections from the chronicles of narnia ebook written by c s lewis read this book using google play books app on your pc android ios

**atlas of histology with functional correlations lww** - Oct 06 2023

web master histology with idealized and actual photomicrography this thirteenth edition of atlas of histology with functional

correlations formerly difiore s provides a rich understanding of the basic histology concepts that medical and allied health students need to know realistic full color illustrations as well as actual photomicrographs of

*histology a text and atlas with correlated cell and molecular* - Oct 26 2022

web selected as a doody s core title for 2022 combining a reader friendly textbook and a rich full color atlas this bestselling resource equips medical dental health professions and undergraduate biology and cell biology students with a comprehensive grasp of the clinical and functional correlates of histology and a vivid understanding of the structural and

**anatlabs histology on the app store** - Apr 19 2022

web aug 30 2017 a complete atlas of histology slides viewable at cellular detail through a cloud based streaming virtual microscope the anatlab histology atlas app provides mobile access to a complete collection of ultra high resolution histology microscopic slide images this system allows students teachers researchers and the general public to

difiore s atlas of histology with functional correlations - Dec 28 2022

web student resources online e book interactive question bank for chapter review and interactive atlas featuring all images from the book more than 450 additional micrographs difiore s atlas of histology is the perfect resource for

*atlas of histology with functional and clinical correlations* - Mar 31 2023

web 0781797594 9780781797597 bibtex a comprehensive histology atlas with extras the unique atlas of histology with functional and clinical correlations covers fundamental histology topics

atlas of histology with functional correlations 13th edition by - Jun 02 2023

web mar 18 2017 master histology with idealized and actual photomicrography this thirteenth edition of atlas of histology with functional correlations formerly difiore s provides a rich understanding of the basic histology concepts that medical and allied health students need to know realistic full color illustrations as well as actual photomicrographs of

**histology a text and atlas by ross review kenhub** - Nov 26 2022

web oct 30 2023 written by michael h ross and wojciech pawlina two dedicated physicians histology a text and atlas intertwines histology and cell and molecular biology with an ease that is difficult for competitors to match

**difiore s atlas of histology with functional correlations** - May 01 2023

web lippincott williams wilkins 2008 medical 532 pages difiore s atlas of histology with functional correlations eleventh edition explains basic histology concepts through full color schematic illustrations these illustrations are supplemented by more than 450 digitized full color online photomicrographs of histological images

read free atlas of histology international edition with fun - May 21 2022

web atlas of histology international edition with fun how to succeed at university international edition oct 29 2020 if you re a student hoping to excel at university this inexpensive how to guide is just what you need from selecting a university and

orientation to graduation day the volume covers not

**atlas of histology with functional correlations 13th ie** - Jul 03 2023

web mar 9 2017 master histology with idealized and actual photomicrography this thirteenth edition of atlas of histology with functional correlations formerly difiore s provides a rich understanding of the basic histology concepts that

*atlas of histology thirteenth international edition victor* - Sep 24 2022

web atlas of histology with functional correlations thirteenth international edition show more paperback 269 inclusive of vat sold as each split into 4 payments of sr 72 month with service charges included read more sku 487577 publishing ref 9781496310231

*atlas of histology international edition with fun pdf uniport edu* - Jun 21 2022

web sep 16 2023 atlas of histology international edition with fun 2 10 downloaded from uniport edu ng on september 16 2023 by guest chapter study hints found throughout the text give practical advice to students about mnemonics or other helpful means of understanding or recall connect it features link to

*textbook of histology color atlas 5th edition pdf free download* - Mar 19 2022

web the fifth edition of textbook of histology color atlas was received well still there have been comments regarding the tiny size of photomicrographs and figures to beat the matter the fifth edition has been designed as our earlier first third editions currently the text is on one page and its figure on the facing page

**curran s atlas of histopathology curran r c archive org** - Feb 15 2022

web revised edition of color atlas of histopathology includes bibliographical references and index access restricted item true addeddate 2020 08 11 17 32 53 associated names crocker j curran r c color atlas of histopathology boxid ia1898908 camera usb ptp class camera collection set printdisabled

*an atlas of histology springerlink* - Aug 24 2022

web this atlas filled with photo realistic drawings was prepared to help bridge the gap between the simplicity of diagrams and the more complex real ity of microstructure all of the figures in this atlas were drawn from histological preparations used by students in my histology classes at the level of light microscopy

**pdf histology a text and atlas with correlated cell** - Aug 04 2023

web dec 27 2019 the fourth edition of the textbook has been revised and updated in accordance with the curricula of medical schools on histology embryology and cytology view full text last updated 21 may 2023

[difiore s atlas of histology with functional correlations pdf](#) - Sep 05 2023

web all structures are directly correlated with the most important and essential functional correlations allowing students to efficiently learn histologic structures and their major functions at the same time this new edition features expanded

introduction on basic histology techniques and staining as well as a more comprehensive list of stains that  
[histology a text and atlas by wojciech pawlina wolters kluwer](#) - Feb 27 2023

web jan 30 2019 histology a text and atlas with correlated cell and molecular biology eighth edition international edition by wojciech pawlina and michael h ross imprint lww sales date 2019 01 30 1072 pages 212 00 x 276 00 mm 1072 pages 212 00 x 276 00 mm trade paperback isbn 9781975115364

**atlas of histology for medical students pdf free download** - Jul 23 2022

web atlas of adrenal surgery pdf free download clinical ophthalmic oncology basic principles 3rd edition pdf free download features of atlas of histology for medical students pdf following are the features of atlas  
*difiore s atlas of histology with functional correlations open library* - Jan 29 2023

web feb 27 2023 di fiore s atlas of histology with functional correlations 1993 lea febiger in english 7th ed 0812115600 9780812115604 cccc borrow listen libraries near you worldcat 7

**forests of silence deltora quest wiki fandom** - Jul 13 2023

web this article is about the location for the book see the forests of silence book the forests of silence is a collection of three forests that span both topaz and ruby territories the first of these forests is known as first wood the second as mid wood and the last as end last wood years

**the forests of silence wikipedia** - Nov 05 2022

web plot summary the book opens with a boy called jarred a friend of prince endon after the death of king alton and his queen endon is proclaimed king in his father s place to consummate this a magical steel belt the belt of deltora is set around endon s waist the belt recognizes endon as deltora s rightful king

*forests of silence scholastic* - Sep 15 2023

web there is a large cast of characters spread over the deltora quest series the major characters continue from book to book lesser characters though they appear predominantly in one of the books frequently reappear in others it could therefore be a good idea to begin creating a character summary list this

[deltora quest the forests of silence google books](#) - May 11 2023

web this literature unit has been designed to supplement teachers with ideas for use with the novel the forests of silence by emily rodha the lessons in this unit cover getting to know the author and the book suggestions for lessons for before the book as well as during the book

**results for deltora quest forrests of silence tpt** - Feb 25 2022

web this novel study of deltora quest the forests of silence by emily rodha is perfect for the teacher who wants to implement this in their class with little to no preparation on your part this complete unit connects to models comprehension skills for

independent reading and encourages readers to move beyond basic comprehension activities focus

[10 top emily rodda deltora quest forests of silence teaching](#) - Jan 27 2022

web 10 top emily rodda deltora quest forests of silence teaching resources curated for you fantasy differentiated reading comprehension activity 4 8 17 reviews writing an imaginary setting description resource pack 4 8 19 reviews fantasy characters display cut outs 4 8 8 reviews emily rodda fact file 5 0 2 reviews

**the forests of silence book deltora quest wiki fandom** - Dec 06 2022

web book description the evil shadow lord is plotting to invade deltora and enslave its people all that stands against him is the magic belt of deltora with its seven gems of great and mysterious power when the gems are stolen and hidden in dark terrible places throughout the kingdom the shadow lord triumphs and deltora is lost

**category forests of silence deltora quest wiki fandom** - Sep 03 2022

web forests of silence this category is dedicated to fauna flora and locations and landmarks of significance found in the forests of silence

**5 top forests of silence teaching resources curated for you** - Oct 04 2022

web explore more than 4 forests of silence resources for teachers parents and pupils as well as related resources on deltora quest forests of silence help check out our interactive series of lesson plans worksheets powerpoints and assessment tools today

**the forests of silence deltora quest 1 goodreads** - Feb 08 2023

web may 1 2000 emily rodda 3 93 15 878 ratings 794 reviews the evil shadow lord is plotting to invade deltora and enslave its people all that stands against him is the magic belt of deltora with its seven gems of great and mysterious power

**literature unit deltora quest the forests of silence emily tpt** - Mar 09 2023

web this resource is a 77 page literature unit for the novel deltora quest the forests of silence by emily rodda it is a digital copy in pdf format each chapter of the novel has a two page chapter study worksheet and there are 30 additional worksheet activities to reinforce key concepts

**deltora quest the forest of silence teaching resources tpt** - Apr 10 2023

web deltora quest forests of silence by emily rodda novel study package includes a comprehensive workbook unit for an in depth exploration of this text with independent work activities the package includes a range of comprehension skills such as prediction analysing synthesising inferring and making connections

[deltora quest forests of silence teacher notes pdf uniport edu](#) - May 31 2022

web aug 20 2023 this deltora quest forests of silence teacher notes as one of the most lively sellers here will entirely be in the course of the best options to review return to del emily rodda 2008 08 11 lief barda and jasmine have finally retrieved all

the gems of the belt of deltora and now in their final step towards overthrowing the shadow lord

**forests of silence scholastic** - Mar 29 2022

web there is a large cast of characters spread over the deltora quest series the major characters continue from book to book lesser characters though they appear predominantly in one of the books frequently reappear in others it could therefore be a good idea to begin creating a character summary list this

**deltora quest forests of silence teacher notes pdf uniport edu** - Apr 29 2022

web sep 1 2023 deltora quest forests of silence teacher notes 2 5 downloaded from uniport edu ng on september 1 2023 by guest tales of deltora emily rodha 2006 nineteen stories reveal the secret history of the land of deltora and the rise of adin the first king to unite the tribes of deltora

**deltora quest 1 1 forests of silence book school essentials** - Aug 02 2022

web determined to find the lost gems and rid their land of the tyrant they struggle towards their first goal the sinister forests of silence genre fantasy magical realism reading level upper primary middle primary school year year 3 year 4 year 5 year 6 ages 8 to 12 page count 120

*the forests of silence austlit discover australian stories* - Jan 07 2023

web when the evil shadow lord plots to invade deltora and enslave its people all that stands between him and victory is the magic belt of deltora which holds seven gems of great and mysterious power when the gems are stolen it appears that deltora is lost and the shadow lord will triumph

forests of silence by prezi - Aug 14 2023

web dec 9 2014 show full text deltora quest forests of silence author emily rodha chapter 3 escape jarred is out of the palace gates and becme a black smith chater 4 forge cian took jarred in because jarred was all alone chapter 2 shadow lands chapter 5 the enemy strikes 7 huge birds called the ak baba

deltora quest forests of silence teacher notes pdf uniport edu - Jul 01 2022

web may 3 2023 for the first book in the series the forests of silence the notes are teacher directed as a whole class activity with teacher read teacher directed sets of activities

*deltora quest 1 the forests of silence stage three* - Jun 12 2023

web and now now endon will be king jarred thought he shook his head trying to make himself believe it he and endon had been friends since they were young children but what a difference there was between them for endon was the son of the king and queen the prince of deltora