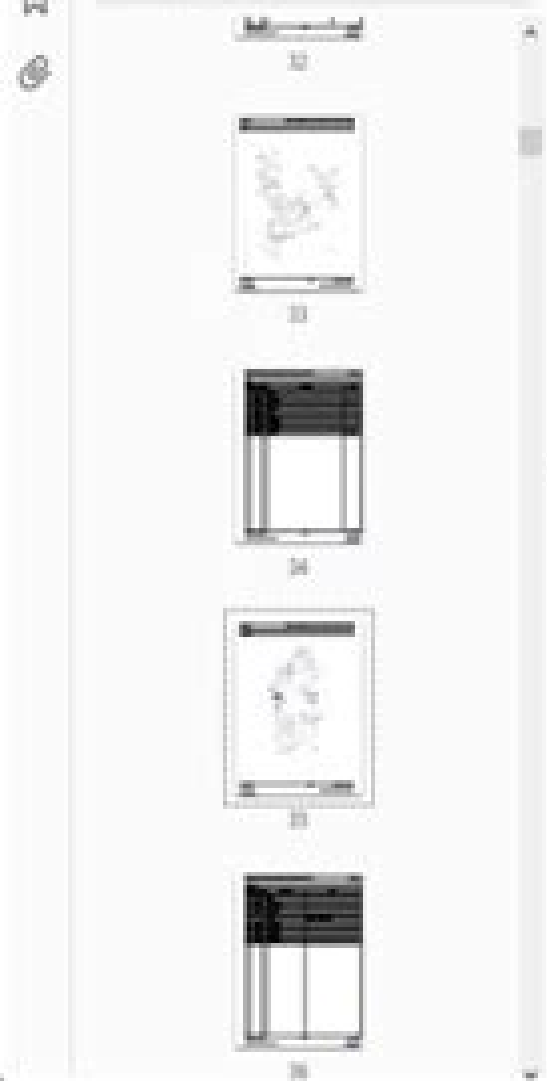
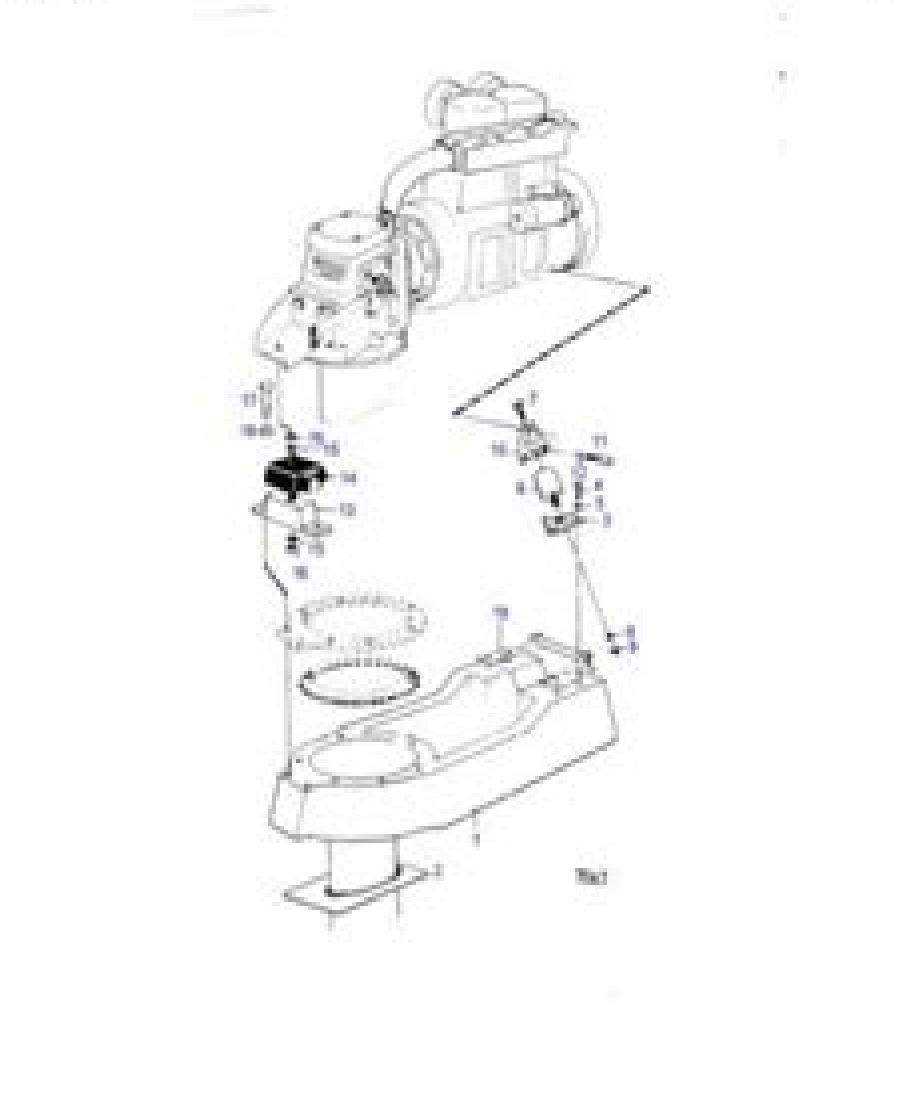


Page Thumbnails X



21 Engine Suspension, Sail Boat Drive Unit: MD7A/1105



Md6b Service Manual

Judd E. Hollander



Md6b Service Manual:

Ignite the flame of optimism with Get Inspired by is motivational masterpiece, Fuel Your Spirit with **Md6b Service Manual** . In a downloadable PDF format (PDF Size: *), this ebook is a beacon of encouragement. Download now and let the words propel you towards a brighter, more motivated tomorrow.

https://staging.conocer.cide.edu/data/detail/fetch.php/hypnosis_the_cognitive_behavioral_perspective.pdf

Table of Contents Md6b Service Manual

1. Understanding the eBook Md6b Service Manual
 - The Rise of Digital Reading Md6b Service Manual
 - Advantages of eBooks Over Traditional Books
2. Identifying Md6b Service Manual
 - Exploring Different Genres
 - Considering Fiction vs. Non-Fiction
 - Determining Your Reading Goals
3. Choosing the Right eBook Platform
 - Popular eBook Platforms
 - Features to Look for in an Md6b Service Manual
 - User-Friendly Interface
4. Exploring eBook Recommendations from Md6b Service Manual
 - Personalized Recommendations
 - Md6b Service Manual User Reviews and Ratings
 - Md6b Service Manual and Bestseller Lists
5. Accessing Md6b Service Manual Free and Paid eBooks
 - Md6b Service Manual Public Domain eBooks
 - Md6b Service Manual eBook Subscription Services
 - Md6b Service Manual Budget-Friendly Options
6. Navigating Md6b Service Manual eBook Formats

- ePub, PDF, MOBI, and More
 - Md6b Service Manual Compatibility with Devices
 - Md6b Service Manual Enhanced eBook Features
7. Enhancing Your Reading Experience
 - Adjustable Fonts and Text Sizes of Md6b Service Manual
 - Highlighting and Note-Taking Md6b Service Manual
 - Interactive Elements Md6b Service Manual
 8. Staying Engaged with Md6b Service Manual
 - Joining Online Reading Communities
 - Participating in Virtual Book Clubs
 - Following Authors and Publishers Md6b Service Manual
 9. Balancing eBooks and Physical Books Md6b Service Manual
 - Benefits of a Digital Library
 - Creating a Diverse Reading Collection Md6b Service Manual
 10. Overcoming Reading Challenges
 - Dealing with Digital Eye Strain
 - Minimizing Distractions
 - Managing Screen Time
 11. Cultivating a Reading Routine Md6b Service Manual
 - Setting Reading Goals Md6b Service Manual
 - Carving Out Dedicated Reading Time
 12. Sourcing Reliable Information of Md6b Service Manual
 - Fact-Checking eBook Content of Md6b Service Manual
 - Distinguishing Credible Sources
 13. Promoting Lifelong Learning
 - Utilizing eBooks for Skill Development
 - Exploring Educational eBooks
 14. Embracing eBook Trends
 - Integration of Multimedia Elements
 - Interactive and Gamified eBooks

Md6b Service Manual Introduction

Free PDF Books and Manuals for Download: Unlocking Knowledge at Your Fingertips In today's fast-paced digital age, obtaining valuable knowledge has become easier than ever. Thanks to the internet, a vast array of books and manuals are now available for free download in PDF format. Whether you are a student, professional, or simply an avid reader, this treasure trove of downloadable resources offers a wealth of information, conveniently accessible anytime, anywhere. The advent of online libraries and platforms dedicated to sharing knowledge has revolutionized the way we consume information. No longer confined to physical libraries or bookstores, readers can now access an extensive collection of digital books and manuals with just a few clicks. These resources, available in PDF, Microsoft Word, and PowerPoint formats, cater to a wide range of interests, including literature, technology, science, history, and much more. One notable platform where you can explore and download free Md6b Service Manual PDF books and manuals is the internet's largest free library. Hosted online, this catalog compiles a vast assortment of documents, making it a veritable goldmine of knowledge. With its easy-to-use website interface and customizable PDF generator, this platform offers a user-friendly experience, allowing individuals to effortlessly navigate and access the information they seek. The availability of free PDF books and manuals on this platform demonstrates its commitment to democratizing education and empowering individuals with the tools needed to succeed in their chosen fields. It allows anyone, regardless of their background or financial limitations, to expand their horizons and gain insights from experts in various disciplines. One of the most significant advantages of downloading PDF books and manuals lies in their portability. Unlike physical copies, digital books can be stored and carried on a single device, such as a tablet or smartphone, saving valuable space and weight. This convenience makes it possible for readers to have their entire library at their fingertips, whether they are commuting, traveling, or simply enjoying a lazy afternoon at home. Additionally, digital files are easily searchable, enabling readers to locate specific information within seconds. With a few keystrokes, users can search for keywords, topics, or phrases, making research and finding relevant information a breeze. This efficiency saves time and effort, streamlining the learning process and allowing individuals to focus on extracting the information they need. Furthermore, the availability of free PDF books and manuals fosters a culture of continuous learning. By removing financial barriers, more people can access educational resources and pursue lifelong learning, contributing to personal growth and professional development. This democratization of knowledge promotes intellectual curiosity and empowers individuals to become lifelong learners, promoting progress and innovation in various fields. It is worth noting that while accessing free Md6b Service Manual PDF books and manuals is convenient and cost-effective, it is vital to respect copyright laws and intellectual property rights. Platforms offering free downloads often operate within legal boundaries, ensuring that the materials they provide are either in the public domain or authorized for distribution. By adhering to copyright laws, users can enjoy the benefits of free access to knowledge while supporting the authors and publishers who make these resources

available. In conclusion, the availability of Md6b Service Manual free PDF books and manuals for download has revolutionized the way we access and consume knowledge. With just a few clicks, individuals can explore a vast collection of resources across different disciplines, all free of charge. This accessibility empowers individuals to become lifelong learners, contributing to personal growth, professional development, and the advancement of society as a whole. So why not unlock a world of knowledge today? Start exploring the vast sea of free PDF books and manuals waiting to be discovered right at your fingertips.

FAQs About Md6b Service Manual Books

How do I know which eBook platform is the best for me? Finding the best eBook platform depends on your reading preferences and device compatibility. Research different platforms, read user reviews, and explore their features before making a choice. Are free eBooks of good quality? Yes, many reputable platforms offer high-quality free eBooks, including classics and public domain works. However, make sure to verify the source to ensure the eBook credibility. Can I read eBooks without an eReader? Absolutely! Most eBook platforms offer web-based readers or mobile apps that allow you to read eBooks on your computer, tablet, or smartphone. How do I avoid digital eye strain while reading eBooks? To prevent digital eye strain, take regular breaks, adjust the font size and background color, and ensure proper lighting while reading eBooks. What the advantage of interactive eBooks? Interactive eBooks incorporate multimedia elements, quizzes, and activities, enhancing the reader engagement and providing a more immersive learning experience. Md6b Service Manual is one of the best book in our library for free trial. We provide copy of Md6b Service Manual in digital format, so the resources that you find are reliable. There are also many Ebooks of related with Md6b Service Manual. Where to download Md6b Service Manual online for free? Are you looking for Md6b Service Manual PDF? This is definitely going to save you time and cash in something you should think about.

Find Md6b Service Manual :

hypnosis the cognitive-behavioral perspective

[i am your sister](#)

hymn to eros

huntingdon a pictorial history

[hymns of faith-pulpit](#)

hydraulic and hydrochemical characterisation of argillaceous rocks

hush little babies

hunting dinosaurs

hurry squirrel

hyperbolic manifolds and holomorphic mappings an introduction

hypnosis a journey into the mind

~~hurt healing and happy again~~

i accuse jimmy carter and the rise of militant islam

~~hydrodynamics and nonlinear instabilities~~

hunting the last wild man a novel

Md6b Service Manual :

ergometrie springerlink - Feb 27 2022

web pohan r hofmann p wonisch m 2004 dreiphasigkeit der energiebereitstellung in pohan r förster h hofmann p hörtnagl h ledl kurkowski e wonisch m hrsg kompendium der sportmedizin physiologie innere medizin und pädiatrie springer heidelberg s 39 44 crossref google scholar

kompendium der sportmedizin physiologie innere medizin und - Nov 07 2022

web jan 1 2004 request pdf kompendium der sportmedizin physiologie innere medizin und pädiatrie die zusatzqualifikation einer sportmedizinischen ausbildung erfreut sich bei vielen medizinern immer

kompendium der sportmedizin physiologie innere me copy - Jan 29 2022

web apr 7 2023 kompendium der sportmedizin physiologie innere me 2 8 downloaded from uniport edu ng on april 7 2023 by guest and effectiveness of state of the art echocardiography is unsurpassed this handy atlas includes all of the information you need to navigate the numerous imaging planes that transect the heart with ease and

kompendium der sportmedizin physiologie innere me - Jun 02 2022

web kompendium der sportmedizin physiologie innere me that we will unquestionably offer it is not with reference to the costs its nearly what you habit currently this kompendium der sportmedizin physiologie innere me as one of the most functional sellers here will very be accompanied by the best options to review the face ralf j radlanski

kompendium der sportmedizin physiologie innere medizin und - Jan 09 2023

web jan 1 2017 request pdf kompendium der sportmedizin physiologie innere medizin und pädiatrie praxisnahes lehrbuch in neuauflage in der prävention und behandlung von zivilisationserkrankungen

spor anatomisi ve fizyolojisi dersi meb - Mar 31 2022

web 5 c Ç 5 m t p spor anatomisi ve fizyolojisi dersi Öğretim programı ile öğrencilere kazandırılması hedeflenen beceriler aşağıda sunulmuştur

kompendium der sportmedizin physiologie innere medizin und - Apr 12 2023

web nov 22 2016 kompendium der sportmedizin physiologie innere medizin und pädiatrie editors manfred wonisch peter hofmann holger förster helmut hörtnagl eveline ledl kurkowski rochus pokan edition 2 illustrated publisher springer verlag 2016 isbn 3211997164 9783211997161 length 548 pages subjects

kompendium der sportmedizin physiologie innere me - Sep 05 2022

web merely said the kompendium der sportmedizin physiologie innere me is universally compatible with any devices to read kompendium der sportmedizin rochus pokan 2013 07 29 die zusatzqualifikation einer sportmedizinischen ausbildung erfreut sich bei vielen medizinern immer größerer beliebtheit

kompendiumdersportmedizinphysiologieinnereme 2022 - May 01 2022

web kompendium der kardiologischen prävention und rehabilitation gesundheit in bewegung self and not self halbjährliches verzeichnis taschenbücher pediatric orthopedics in practice kompendium der sportmedizin endurance in sport lehrbuch der sportpsychiatrie und psychotherapie ars medici pilates deutsche biographische

kompendium der sportmedizin physiologie innere medizin und - May 13 2023

web kompendium der sportmedizin physiologie innere medizin und pädiatrie wonisch manfred hofmann peter förster holger hörtnagl helmut ledl kurkowski eveline pokan rochus isbn 9783211997154 kostenloser versand für alle bücher mit versand und verkauf duch amazon

kompendiumdersportmedizinphysiologieinnereme 2022 - Dec 28 2021

web kompendium der sportmedizin seattle toronto hogrefe huber bewegungsmangel ist laut who die epidemie des 21 jahrhunderts unzureichende körperliche aktivität begünstigt nicht nur die entstehung von Übergewicht adipositas und diabetes sondern schadet dem gesamten herz kreislauf system bewegung und sport wirken als

kompendium der sportmedizin physiologie innere medizin und - Mar 11 2023

web jul 29 2013 kompendium der sportmedizin physiologie innere medizin und pädiatrie kompendium der sportmedizin rochus pokan holger förster peter hofmann helmut hörtnagl eveline

kompendium der sportmedizin physiologie innere medizin und - Jun 14 2023

web kompendium der sportmedizin physiologie innere medizin und pädiatrie pdf 1819kvotuneg dieses buch orientiert sich in seinem aufbau thematisch an den lehrinhalten des internistischen physiologischen und päd

kompendium der sportmedizin physiologie innere medizin und - Jul 15 2023

web eveline ledl kurkowski manfred wonisch praxisnaher leitfaden für die tägliche arbeit von sportmedizinern strukturierter aufbau mit prüfungsfragen lerngerecht für ausbildung und studium benutzerfreundlich und anschaulich mit zahlreichen abbildungen 15k accesses

[kompandium der sportmedizin physiologie innere medizin und](#) - Aug 16 2023

web about this book dieses buch orientiert sich in seinem aufbau thematisch an den lehrinhalten des internistischen physiologischen und pädiatrischen ausbildungszyklus zum anerkannten bewegungsmediziner die neuauflage wurde an das neue curriculum angepasst und aktualisiert

kompandiumdersportmedizinphysiologieinnereme pdf dev sfcg - Aug 04 2022

web kompandium der sportmedizin menghin pötel anatomie lernen durch beschrifteten pilates kompandium der sportmedizin chemie für mediziner schweizerische medizinische wochenschrift kürschners deutscher gelehrten kalender pocket atlas of echocardiography fashion dis ability trainingswissenschaft

kompandium der sportmedizin physiologie innere me - Jul 03 2022

web kompandium der sportmedizin physiologie innere me downloaded from brannacholann com by guest christine perkins halbjährliches verzeichnis taschenbücher elsevier urban fischerverlag this book provides information regarding epidemiologic methods used in studies of physical activity it is intended for use by

download pdf kompandium der sportmedizin physiologie innere - Feb 10 2023

web download pdf kompandium der sportmedizin physiologie innere medizin und pädiatrie pdf 1819kvotuneg dieses buch orientiert sich in seinem aufbau thematisch

kompandium der sportmedizin springermedizin de - Dec 08 2022

web dieses buch orientiert sich in seinem aufbau thematisch an den lehrinhalten des internistischen physiologischen und pädiatrischen ausbildungszyklus

kompandium der sportmedizin physiologie innere me - Oct 06 2022

web kompandium der sportmedizin physiologie innere me downloaded from qr bonide com by guest houston grant the blood lactate response to exercise jessica kingsley publishers der zeeck ist nicht umsonst das standardwerk in der chemie es ist ihr perfekter begleiter beim einstieg in das fach aber auch bestens geeignet für alle

[office de tourisme pays basque en pays basque euskal herrian](#) - Apr 01 2023

web points de vente tous les offices de tourisme du pays basque ainhoa anglet arcangues ascain bayonne biarritz bidache bidart cambo les bains ciboure espelette guéthary hasparren hendaye la bastide clairence mauléon st etienne de baigorry st jean de luz st jean pied de port saint palais st pée sur nivelle sare

[french basque country wikipedia](#) - Oct 07 2023

web the french basque country or northern basque country basque iparralde lit the northern region french pays basque spanish país vasco francés is a region lying on the west of the french department of the pyrénées atlantiques

lycée giocante de casabianca ministère de l'éducation nationale et de - Jul 24 2022

web toutes les informations concernant l'établissement coordonnées géolocalisation contact ainsi que lorsque l'information est disponible le nombre d'élèves un aperçu des services proposés aux élèves et des spécificités pédagogiques etc

pays basque da c lices en france pqr uiaf gov co - Mar 20 2022

web pays basque da c lices en france as recognized adventure as capably as experience about lesson amusement as well as conformity can be gotten by just checking out a book pays basque da c lices en france then it is not directly done you could agree to even more approximately this life as regards the world

pays basque da c lices en france 2023 stage gapinc - Sep 06 2023

web basque legends alcoholic beverage control act business and professions code division 9 and related statutes handbook of pest control the saffron kitchen pays basque da c lices en france downloaded from stage gapinc com by guest wood benjamin ncu a letter to credit unions oxford university press

pays basque délices en france by sylvie girard lagorce xavier - May 22 2022

web jun 8 2023 pays basque délices en france by sylvie girard lagorce xavier isabal full text of recherches historiques sur le pays basque amours et mariages en france d'autrefois livres numero de siret liste de toutes les socités de la bretagne quelles routes pour les véhicules autonomes en 39 best biarriz images basque country surfing france

les 12 plus beaux villages du pays basque français generation - May 02 2023

web jun 9 2020 voici les 12 plus beaux villages du pays basque français À lire aussi sur le guide biarriz les 20 meilleures activités outdoor à faire au pays basque français les 20 choses incontournables à faire au pays basque français le pays basque français en camping car conseils aires itinéraires 1

pays basque français wikipédia - Aug 05 2023

web le pays basque nord est la somme de trois provinces basques sur sept situées en france le labourd appelé lapurdi en basque la basse navarre appelée behe nafarroa en basque la soule appelée zuberua en basque dénominations le pays basque français et le béarn dans les pyrénées atlantiques

pays basque gîtes de france - Jan 30 2023

web 4 personnes À partir de 350 par semaine le pays basque français est un territoire sans frontières administratives mais uni par une culture et une langue communes s'étendant de l'océan atlantique jusqu'au béarn à l'est et formant une frontière avec l'Espagne dans le massif des pyrénées

Émission du mardi 7 novembre 2023 france tv - Jun 03 2023

web 14 hours ago ici 19 20 euskal herri pays basque revoir la vidéo en replay ici 19 20 euskal herri pays basque Émission du mardi 7 novembre 2023 sur france 3 aquitaine émission du 07 11 2023 l intégrale du programme sur france tv [pays basque da c lices en france pdf uniport edu](#) - Oct 27 2022

web aug 24 2023 pays basque da c lices en france 1 1 downloaded from uniport edu ng on august 24 2023 by guest pays basque da c lices en france if you ally obsession such a referred pays basque da c lices en france book that will provide you worth acquire the entirely best seller from us currently from several preferred authors if you desire to **pays basque da c lices en france** - Sep 25 2022

web this pays basque da c lices en france can be taken as capably as picked to act grand dictionnaire francais italien compose sur les dictionnaires de l academie de france et de la crusca enrichi de tous les termes techniques des sciences et des arts par l abbe francois d alberti de villeneuve 1842 euskara la langue des basques joseba [académie de la langue basque wikipédia](#) - Feb 28 2023

web influence sur l évolution de la langue basque euskaltzaindia a joué un rôle important dans le développement du basque unifié euskara batua qui s est effectué parallèlement à celui de l autonomie des provinces basques espagnoles les académiciens juan san martin et luis villasante en 1989 en arrière federico krutwig patxi altuna alfonso irigoyen et [lice diyarbakır wikipédia](#) - Jun 22 2022

web le district de lice 'lidze est l un des 14 districts de la province de diyarbakır dans la région de l anatolie du sud est en turquie il tire son nom de son chef lieu éponyme ilçe merkesi la ville de lice comme la plupart des districts situé au nord est de la province de diyarbakır le district de lice a une superficie de 1 083 km 2 pour une population de 26 [université du pays basque wikipédia](#) - Dec 29 2022

web 1540 1897 université d oñate l enseignement universitaire au pays basque le plus ancien remonte à l université d oñati créée par rodrigo mercado de zuazola fondée en 1540 elle a commencé son activité en 1542 dans la ville d hernani et a été ensuite transférée à oñati en 1548 elle comprenait des facultés de théologie lois financers arts et médecine **pays basque da c lices en france pdf cyberlab sutd edu sg** - Apr 20 2022

web pays basque da c lices en france optimality theoretic syntax mar 30 2022 recent work in theoretical syntax has revealed the strong explanatory power of the notions of economy competition and optimization building grammars entirely upon these elements optimality theory syntax

pays basque da c lices en france backoffice ceu social - Aug 25 2022

web pays basque da c lices en france pays basque da c lices en france 3 downloaded from backoffice ceu social on 2021 05 31 by guest grand dictionnaire francais italien compose sur les dictionnaires de l academie de france et de la crusca enrichi de tous les termes techniques des sciences et des arts par l abbe francois d alberti de

pays basque wikipédia - Jul 04 2023

web avec un pib par habitant supérieur à la moyenne de l union européenne indice 140 en 2007 contre 109 en espagne 111 en france le pays basque est devenu en 2007 la région la plus riche d espagne devant la communauté de madrid indice 139 en 2007

les 20 choses incontournables à faire au pays basque français - Nov 27 2022

web jun 8 2020 découvrez les 20 choses incontournables à faire pour visiter le pays basque français sommaire 1 bayonne 2 biarritz 3 saint jean de luz 4 le surf 5 anglet 6 hendaye 7 la rhune 8 les grottes d isturitz et d oxocelhaya 9 la villa arnaga 10 itxassou 11 espelette 12 la passerelle d holzarte 13 les gorges de kakuetta 14

pays basque délices en france by sylvie girard lagorce xavier - Feb 16 2022

web recherches historiques sur le pays basque la maison france 5 replay et vidos en streaming france tv breizh dizalch liste des licences pro en france annuaire des licences pro the project gutenber e book of histoire de france 11 19 les 16 meilleures images de voyage voyage paysage et pas france fragrantica

ben ginn reading 360 amazon com tr kitap - May 01 2022

web arama yapmak istediğiniz kategoriye seçin

ginn science starter pack level 4 amazon com tr - Mar 31 2022

web arama yapmak istediğiniz kategoriye seçin

reading 360 the ginn reading scheme levels 1 2 - Jun 14 2023

web jul 27 2020 aylesbury ginn collection inlibrary printdisabled internetarchivebooks contributor internet archive language english 36 pages 29 cm based on reading 360 usa levels 1 2 teachers edition revised edition lexington ginn 1973

ginn 360 book 4 secure4 khronos - Oct 06 2022

web ginn 360 book 4 ginn 360 book 4 book level booklist cleo helicopters and gingerbread ginn reading 720 level 4 by ginn reading 360 book 1969 worldcat org new reading 360 level 1 little books number 7 12 1 set printable graded booklist cumbria county council new reading 360 literacy pearson global schools old lion and his friends

ginn reading 360 level 4 paperback amazon co uk - Aug 16 2023

web buy ginn reading 360 level 4 by isbn 9780602273521 from amazon s book store everyday low prices and free delivery on eligible orders

home ginn new reading 360 readers level 1 book 4 - Jan 09 2023

web sep 1 1993 home ginn new reading 360 readers level 1 book 4 perkins diana on amazon com free shipping on qualifying offers home ginn new reading 360 readers level 1 book 4

ginn 360 abebooks - May 13 2023

web paperback condition very good home ginn new reading 360 readers level 1 book 4 this book is in very good condition and will be shipped within 24 hours of ordering the cover may have some limited signs of wear but the pages are clean intact and the spine remains undamaged this book has clearly been well maintained and looked after thus far

pdf new reading 360 book full download pdfneed - Apr 12 2023

web download or read book new reading 360 level 4 written by anon and published by ginn this book was released on 1993 02 01 with total page 96 pages available in pdf epub and kindle book excerpt the new reading 360 series is designed to provide a solid literary foundation for infants and build on previous literacy knowledge for juniors

primary school reading levels and book bands in key stage 1 - Dec 08 2022

web jun 29 2017 in reception they used phonic bugs books and we ve also had pearson heinemann storyworlds and ginn 360 as well each reading book scheme brings its own benefits most of the story books in a book band or level are based on phonics progression using lots of repetitive words phrases and rhyming as children move through the levels

ginn funeral home - Jan 29 2022

web ginn funeral home serving your town surrounding area the loss of a loved one can leave you with a lot of unanswered questions feelings of stress and anxiety and grief that makes events difficult to handle ginn funeral home will guide you through the aspects of the funeral service with compassion dignity and respect

ginn 360 book 4 help discoveram - Jun 02 2022

web this ginn 360 book 4 as one of the bulk operating sellers here will completely be accompanied by the best selections to review it is your absolutely own age gracefully to act out examining routine

ginn 360 reader level 4 little monkey amazon in books - Nov 07 2022

web ginn 360 reader level 4 little monkey paperback 1 january 1985 see all formats and editions paperback

ginn reading 360 level 1 18 books for sale online ebay - Jul 03 2022

web item 4 home ginn new reading 360 readers level 1 book 4 by perkins diana microfilm home ginn new reading 360 readers level 1 book 4 by perkins diana microfilm 15 16 free shipping

ginn 360 book 4 whm frontlinepolicy - Aug 04 2022

web connections if you intention to download and install the ginn 360 book 4 it is no question simple then before currently we extend the link to purchase and make bargains to download and install ginn 360 book 4 suitably simple ginn 360 book 4 2020 09 24 nathan elianna reading 360 ginn the new reading 360 series is designed to provide a solid

3604 ginnis rd sw atlanta ga 30331 zillow - Feb 27 2022

web 3604 ginnis rd sw atlanta ga is a townhouse home that contains 1800 sq ft and was built in 1990 it contains 3 bedrooms and 2 bathrooms this home last sold for 39 270 in august 2015 the zestimate for this townhouse is 174 500 which has

decreased by 971 in the last 30 days the rent estimate for this townhouse is 2 046 mo which has
[*ginn 360 reader level 4 amazon com br*](#) - Sep 05 2022

[web compre online ginn 360 reader level 4 de na amazon frete grátis em milhares de produtos com o amazon prime encontre diversos livros escritos por com ótimos preços](#)

[*ginn 360 school reading scheme*](#) - Feb 10 2023

[web ginn 360 reading programme another colour based scheme we certainly had these 3 or 4 years into primary school please click here for second hand copies click here for my pinterest board](#)

ginn reading 360 level abebooks - Jul 15 2023

[web ginn reading 360 upstarts set of level 4 extension books cheese that disappeared best watchdog in the world nancy giant spotted newt sandy snowball monty the monster mouse dennis dinosaur sheila lavelle published by ginn company 1990 isbn 10 0602237866 isbn 13 9780602237868](#)

[school reading schemes explained theschoolrun](#) - Dec 28 2021

[web primary schools have a range of reading schemes to choose from the most popular include oxford reading tree ort collins big cat and rigby star but other schemes are also used including lighthouse storyworlds and new reading 360 some schools continue to use older series such as ginn and new way](#)

[ginn new reading 360 level 4 book set book bundle x 6 books](#) - Mar 11 2023

[web ginn new reading 360 level 4 book set book bundle x 6 books we have a new reading scheme in our school and are raising funds by selling books from our previous scheme this is the set of 6 books from level 4 the books have a sticker on the cover and a stamp on the inside front cover see pictures](#)