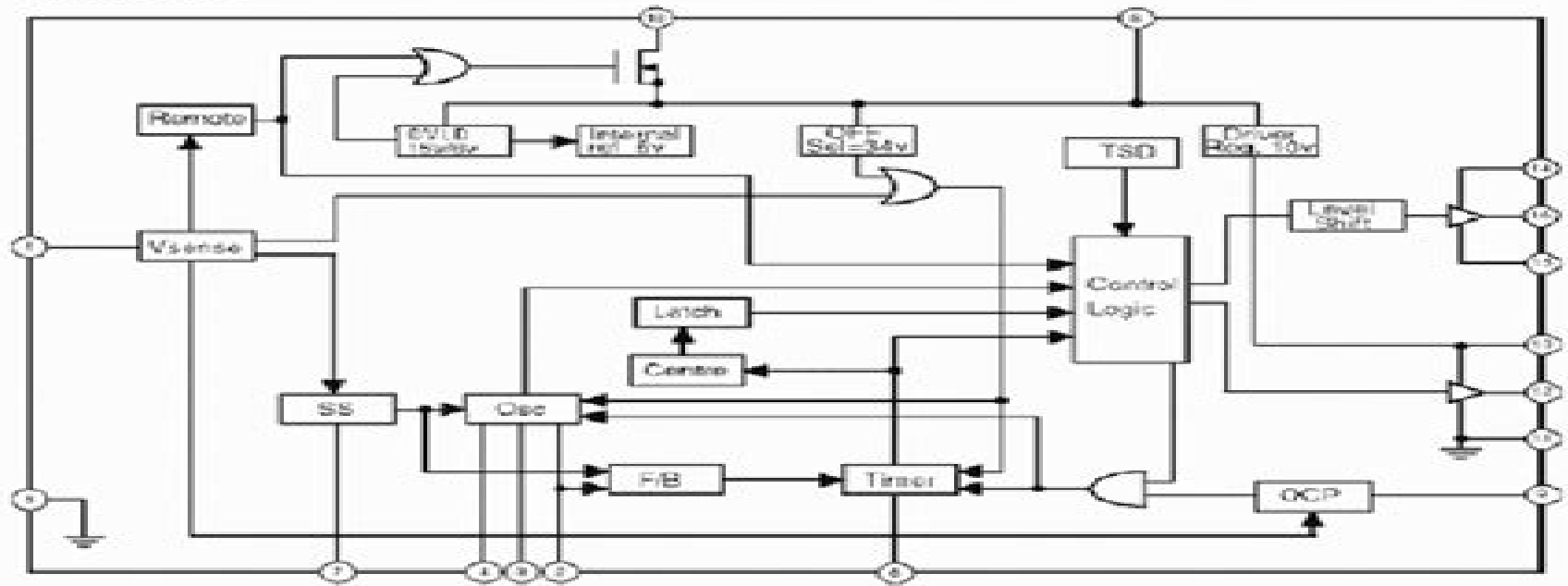


MCZ3001D

Pulse Width Modulated Control Circuit



Mcz3001d Datasheet User Guide

A Gutmann



Mcz3001d Datasheet User Guide:

Ignite the flame of optimism with Get Inspired by is motivational masterpiece, Fuel Your Spirit with **Mc3001d Datasheet User Guide** . In a downloadable PDF format (Download in PDF: *), this ebook is a beacon of encouragement. Download now and let the words propel you towards a brighter, more motivated tomorrow.

https://staging.conocer.cide.edu/data/virtual-library/HomePages/Gentleman_Of_Substance.pdf

Table of Contents Mc3001d Datasheet User Guide

1. Understanding the eBook Mc3001d Datasheet User Guide
 - The Rise of Digital Reading Mc3001d Datasheet User Guide
 - Advantages of eBooks Over Traditional Books
2. Identifying Mc3001d Datasheet User Guide
 - Exploring Different Genres
 - Considering Fiction vs. Non-Fiction
 - Determining Your Reading Goals
3. Choosing the Right eBook Platform
 - Popular eBook Platforms
 - Features to Look for in an Mc3001d Datasheet User Guide
 - User-Friendly Interface
4. Exploring eBook Recommendations from Mc3001d Datasheet User Guide
 - Personalized Recommendations
 - Mc3001d Datasheet User Guide User Reviews and Ratings
 - Mc3001d Datasheet User Guide and Bestseller Lists
5. Accessing Mc3001d Datasheet User Guide Free and Paid eBooks
 - Mc3001d Datasheet User Guide Public Domain eBooks
 - Mc3001d Datasheet User Guide eBook Subscription Services
 - Mc3001d Datasheet User Guide Budget-Friendly Options
6. Navigating Mc3001d Datasheet User Guide eBook Formats

- ePub, PDF, MOBI, and More
 - Mc3001d Datasheet User Guide Compatibility with Devices
 - Mc3001d Datasheet User Guide Enhanced eBook Features
7. Enhancing Your Reading Experience
 - Adjustable Fonts and Text Sizes of Mc3001d Datasheet User Guide
 - Highlighting and Note-Taking Mc3001d Datasheet User Guide
 - Interactive Elements Mc3001d Datasheet User Guide
 8. Staying Engaged with Mc3001d Datasheet User Guide
 - Joining Online Reading Communities
 - Participating in Virtual Book Clubs
 - Following Authors and Publishers Mc3001d Datasheet User Guide
 9. Balancing eBooks and Physical Books Mc3001d Datasheet User Guide
 - Benefits of a Digital Library
 - Creating a Diverse Reading Collection Mc3001d Datasheet User Guide
 10. Overcoming Reading Challenges
 - Dealing with Digital Eye Strain
 - Minimizing Distractions
 - Managing Screen Time
 11. Cultivating a Reading Routine Mc3001d Datasheet User Guide
 - Setting Reading Goals Mc3001d Datasheet User Guide
 - Carving Out Dedicated Reading Time
 12. Sourcing Reliable Information of Mc3001d Datasheet User Guide
 - Fact-Checking eBook Content of Mc3001d Datasheet User Guide
 - Distinguishing Credible Sources
 13. Promoting Lifelong Learning
 - Utilizing eBooks for Skill Development
 - Exploring Educational eBooks
 14. Embracing eBook Trends
 - Integration of Multimedia Elements
 - Interactive and Gamified eBooks

Mcz3001d Datasheet User Guide Introduction

In this digital age, the convenience of accessing information at our fingertips has become a necessity. Whether its research papers, eBooks, or user manuals, PDF files have become the preferred format for sharing and reading documents. However, the cost associated with purchasing PDF files can sometimes be a barrier for many individuals and organizations. Thankfully, there are numerous websites and platforms that allow users to download free PDF files legally. In this article, we will explore some of the best platforms to download free PDFs. One of the most popular platforms to download free PDF files is Project Gutenberg. This online library offers over 60,000 free eBooks that are in the public domain. From classic literature to historical documents, Project Gutenberg provides a wide range of PDF files that can be downloaded and enjoyed on various devices. The website is user-friendly and allows users to search for specific titles or browse through different categories. Another reliable platform for downloading Mcz3001d Datasheet User Guide free PDF files is Open Library. With its vast collection of over 1 million eBooks, Open Library has something for every reader. The website offers a seamless experience by providing options to borrow or download PDF files. Users simply need to create a free account to access this treasure trove of knowledge. Open Library also allows users to contribute by uploading and sharing their own PDF files, making it a collaborative platform for book enthusiasts. For those interested in academic resources, there are websites dedicated to providing free PDFs of research papers and scientific articles. One such website is Academia.edu, which allows researchers and scholars to share their work with a global audience. Users can download PDF files of research papers, theses, and dissertations covering a wide range of subjects. Academia.edu also provides a platform for discussions and networking within the academic community. When it comes to downloading Mcz3001d Datasheet User Guide free PDF files of magazines, brochures, and catalogs, Issuu is a popular choice. This digital publishing platform hosts a vast collection of publications from around the world. Users can search for specific titles or explore various categories and genres. Issuu offers a seamless reading experience with its user-friendly interface and allows users to download PDF files for offline reading. Apart from dedicated platforms, search engines also play a crucial role in finding free PDF files. Google, for instance, has an advanced search feature that allows users to filter results by file type. By specifying the file type as "PDF," users can find websites that offer free PDF downloads on a specific topic. While downloading Mcz3001d Datasheet User Guide free PDF files is convenient, its important to note that copyright laws must be respected. Always ensure that the PDF files you download are legally available for free. Many authors and publishers voluntarily provide free PDF versions of their work, but its essential to be cautious and verify the authenticity of the source before downloading Mcz3001d Datasheet User Guide. In conclusion, the internet offers numerous platforms and websites that allow users to download free PDF files legally. Whether its classic literature, research papers, or magazines, there is something for everyone. The platforms mentioned in this article, such as Project Gutenberg, Open Library, Academia.edu, and Issuu, provide access to a vast collection of PDF files. However, users

should always be cautious and verify the legality of the source before downloading Mc3001d Datasheet User Guide any PDF files. With these platforms, the world of PDF downloads is just a click away.

FAQs About Mc3001d Datasheet User Guide Books

How do I know which eBook platform is the best for me? Finding the best eBook platform depends on your reading preferences and device compatibility. Research different platforms, read user reviews, and explore their features before making a choice. Are free eBooks of good quality? Yes, many reputable platforms offer high-quality free eBooks, including classics and public domain works. However, make sure to verify the source to ensure the eBook credibility. Can I read eBooks without an eReader? Absolutely! Most eBook platforms offer web-based readers or mobile apps that allow you to read eBooks on your computer, tablet, or smartphone. How do I avoid digital eye strain while reading eBooks? To prevent digital eye strain, take regular breaks, adjust the font size and background color, and ensure proper lighting while reading eBooks. What the advantage of interactive eBooks? Interactive eBooks incorporate multimedia elements, quizzes, and activities, enhancing the reader engagement and providing a more immersive learning experience. Mc3001d Datasheet User Guide is one of the best book in our library for free trial. We provide copy of Mc3001d Datasheet User Guide in digital format, so the resources that you find are reliable. There are also many Ebooks of related with Mc3001d Datasheet User Guide. Where to download Mc3001d Datasheet User Guide online for free? Are you looking for Mc3001d Datasheet User Guide PDF? This is definitely going to save you time and cash in something you should think about.

Find Mc3001d Datasheet User Guide :

gentleman of substance

[geometric nonlinear functional analysis](#)

gentleman brawler

gentle deception harlequin presents no 1293

genius six plays

genghis khan his life and legacy

[genuine prosperity](#)

[geology special ed. for univ. of cali santa barbarapb2005](#)

[geometry at home grade 1](#)

genetics and birth defects in clinical practice

geography of tourism and recreation environment place and space

geoffrey bawa the complete works

gentlemen swords pistols

genetic meltdown

geometric needlepoint designs

Mc3001d Datasheet User Guide :

User manual Siemens Landis & Staefa RAA20 (English Manual. View the manual for the Siemens Landis & Staefa RAA20 here, for free. This manual comes under the category thermostat and has been rated by 2 people ... Operating instructions Landis & Staefa RAV11... Getting started. The controller is supplied with factory-set switching patterns, switching times and temperatures. To commission it, proceed as follows:. Landis Staefa System 600 Programming Manual May 5, 2005 — Anyone know where I can obtain a programming manual for a Landis Staefa system 600 EMS? Staefa Control Manual control. The valve can be opened an closed manually by turning the screw. ... Staefa. Control. System staefa peripher. Valves. Mounting. Flanged valves. Staefa Control System Product Specification Technical ... Manual Stationary Engine Manuals & Books · Data Acquisition Units & Systems · Manual Metalworking Manuals, Books & Plans · Tractor Manuals & Books for Kubota. Staefa Smart II N4 Driver User Guide Like other NiagaraN4 drivers, you can do most configuration from special “manager” views and property sheets using Workbench. •. “Configure the Staefa network”. Landis & Staefa Manuals - 116246 Oct 19, 2014 — You need the INTEGRAL PLAN (staefa plan) tool to program the NRK16-B/A controller. The INTEGRAL PLAN requires a dongle. As the INTEGRAL PLAN has ... RK8, RK88 RK2, RK22 RK82 Universal P controllers The CLASSIC electronic universal P controller is suitable for the control of temperatures, relative humidity, air quality, pressure etc. The controller compares ... Building Technologies - Staefa Control System Dec 16, 2012 — The Secure Choice - Staefa Control System · LINHA TALENT - Staefa Control System · Valve and Valve Actuator Selection Guide - Staefa Control ... IPT Crane and Rigging Answer Book Flashcards Study with Quizlet and memorize flashcards containing terms like Two types of wire rope center core designs, What is the percentage gain in strength using ... Ironworker Quality Construction Practices, Reference ... Rigging for Ironworkers: Ironworker Quality Construction Practices, Reference Manual & Student Workbook by International Association Of Bridge, Structural, ... Basic Rigging Workbook - BNL | Training | Login The purpose of this document is to discuss the requirements for planning and performing an incidental lift using an overhead crane and commonly available. rigging basic - learner workbook May 21, 2021 — Should a rigger work on structural steel that is wet from rain or fresh paint? ... The answers in this book are in no way conclusive and are to ... Advanced Rigging Instructor's

Manual Student answers are automatically collected in detailed reports to ensure ... Student Workbook for comparison. 139. Page 144. 5. SECTION 5: RIGGING FORCES AND ... MODULE 4 - LIFTING AND RIGGING □ Understand the proper use of wire ropes, wire rope fittings, end terminations, and tighteners. □ Explain the use of slings and sling arrangements. □ ... Answers 3 See Student Book answer to Question 5. (above) although there are no ... b iron: malleable and magnetic (other answers are possible). 8 a both are metals as ... Ironworkers : Occupational Outlook Handbook Align structural and reinforcing iron and steel vertically and horizontally, using tag lines, plumb bobs, lasers, and levels; Connect iron and steel with bolts, ... Rigger Level I and Rigger Level II A Certified Rigger Level I can perform simple, repetitive rigging tasks when the load weight, center of gravity, the rigging, and rigging configuration are ... Hoisting & Rigging Fundamentals The material outlined in this manual outlines the requirements of the DOE Hoisting and. Rigging program. It requires persons who perform rigging or operate ... Thai Radical Discourse by Craig J. Reynolds | Paperback Thai Radical Discourse by Craig J. Reynolds | Paperback Thai Radical Discourse: The Real Face of Thai Feudalism ... Discussing imperialism, feudalism, and the nature of power, Reynolds argues that comparisons between European and Thai premodern societies reveal Thai social ... Thai Radical Discourse: The Real Face of Thai Feudalism Today by CJ Reynolds · 2018 · Cited by 159 — Discussing imperialism, feudalism, and the nature of power, Reynolds argues that comparisons between European and Thai premodern societies ... Thai Radical Discourse: The Real Face of Thai Feudalism ... Discussing imperialism, feudalism, and the nature of power, Reynolds argues that comparisons between European and Thai premodern societies reveal Thai social ... Thai Radical Discourse: The Real Face of Thai Feudalism ... Discussing imperialism, feudalism, and the nature of power, Reynolds argues that comparisons between European and Thai premodern societies reveal Thai social ... Thai radical discourse : the real face of Thai feudalism today Discussing imperialism, feudalism, and the nature of power, Reynolds argues that comparisons between European and Thai premodern societies reveal Thai social ... The Real Face Of Thai Feudalism Today by Craig Reynolds Discussing imperialism, feudalism, and the nature of power, Reynolds argues that comparisons between European and Thai premodern societies reveal Thai social ... Thai Radical Discourse: The Real Face of Thai Feudalism Today Using Jit Pumisak's The Real Face of Thai Feudalism Today (1957), Reynolds both rewrites Thai history and critiques relevant historiography. Thai Radical Discourse: The Real Face of Thai Feudalism ... by S Wantha · 1989 — Thai Radical Discourse: The Real Face of Thai Feudalism Today. By Craig J. Reynolds. Ithaca, N.Y.: Cornell University Southeast Asia Program, 1987. Pp. 186. Thai Radical Discourse: The Real Face of Thai Feudalism ... Discussing imperialism, feudalism, and the nature of power, Reynolds argues that comparisons between European and Thai premodern societies reveal Thai social ...