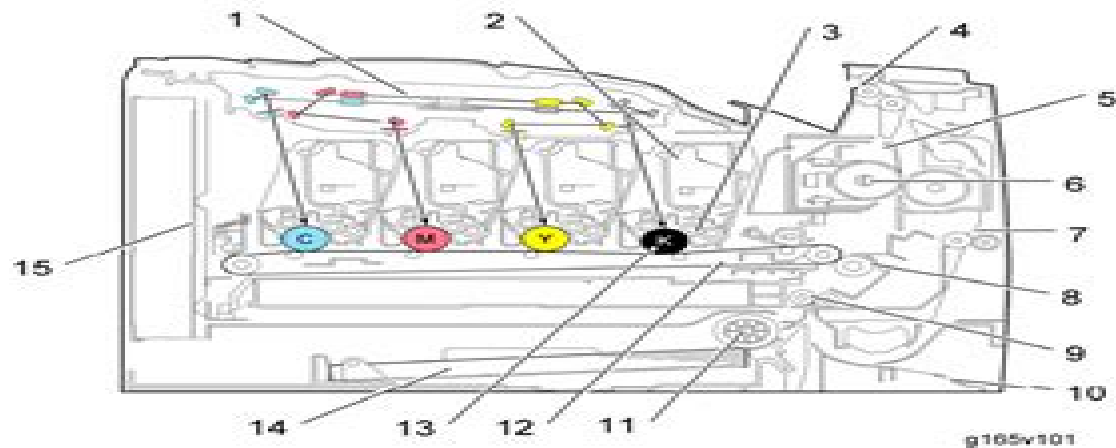


6. DETAILED DESCRIPTIONS SECTION

6.1 MACHINE OVERVIEW

6.1.1 COMPONENT LAYOUT

Engine



- | | |
|--|---|
| <ul style="list-style-type: none"> 1. Laser Optics Housing Unit 2. Print Cartridge (AIO) 3. Development Roller (AIO) 4. Paper Exit 5. Fusing Unit 6. Fusing Lamp 7. Duplex Path 8. Transfer Roller | <ul style="list-style-type: none"> 9. Registration Roller 10. By-pass 11. Paper Feed Roller 12. ITB (Image Transfer Belt) Unit 13. OPC (AIO) 14. Tray 1 15. EGB/Controller |
|--|---|

Detailed
Descriptions
Section

Manual Aficio 221

CH Cherryholmes



Manual Aficio 221:

Manual Aficio 221 Book Review: Unveiling the Magic of Language

In an electronic digital era where connections and knowledge reign supreme, the enchanting power of language has become more apparent than ever. Its capability to stir emotions, provoke thought, and instigate transformation is really remarkable. This extraordinary book, aptly titled "**Manual Aficio 221**," published by a highly acclaimed author, immerses readers in a captivating exploration of the significance of language and its profound impact on our existence. Throughout this critique, we shall delve to the book's central themes, evaluate its unique writing style, and assess its overall influence on its readership.

<https://staging.conocer.cide.edu/data/browse/Documents/friend%20of%20china%20the%20myth%20of%20rewi%20alley.pdf>

Table of Contents Manual Aficio 221

1. Understanding the eBook Manual Aficio 221
 - The Rise of Digital Reading Manual Aficio 221
 - Advantages of eBooks Over Traditional Books
2. Identifying Manual Aficio 221
 - Exploring Different Genres
 - Considering Fiction vs. Non-Fiction
 - Determining Your Reading Goals
3. Choosing the Right eBook Platform
 - Popular eBook Platforms
 - Features to Look for in an Manual Aficio 221
 - User-Friendly Interface
4. Exploring eBook Recommendations from Manual Aficio 221
 - Personalized Recommendations
 - Manual Aficio 221 User Reviews and Ratings
 - Manual Aficio 221 and Bestseller Lists
5. Accessing Manual Aficio 221 Free and Paid eBooks

- Manual Aficio 221 Public Domain eBooks
 - Manual Aficio 221 eBook Subscription Services
 - Manual Aficio 221 Budget-Friendly Options
6. Navigating Manual Aficio 221 eBook Formats
 - ePub, PDF, MOBI, and More
 - Manual Aficio 221 Compatibility with Devices
 - Manual Aficio 221 Enhanced eBook Features
 7. Enhancing Your Reading Experience
 - Adjustable Fonts and Text Sizes of Manual Aficio 221
 - Highlighting and Note-Taking Manual Aficio 221
 - Interactive Elements Manual Aficio 221
 8. Staying Engaged with Manual Aficio 221
 - Joining Online Reading Communities
 - Participating in Virtual Book Clubs
 - Following Authors and Publishers Manual Aficio 221
 9. Balancing eBooks and Physical Books Manual Aficio 221
 - Benefits of a Digital Library
 - Creating a Diverse Reading Collection Manual Aficio 221
 10. Overcoming Reading Challenges
 - Dealing with Digital Eye Strain
 - Minimizing Distractions
 - Managing Screen Time
 11. Cultivating a Reading Routine Manual Aficio 221
 - Setting Reading Goals Manual Aficio 221
 - Carving Out Dedicated Reading Time
 12. Sourcing Reliable Information of Manual Aficio 221
 - Fact-Checking eBook Content of Manual Aficio 221
 - Distinguishing Credible Sources
 13. Promoting Lifelong Learning
 - Utilizing eBooks for Skill Development

- Exploring Educational eBooks
- 14. Embracing eBook Trends
 - Integration of Multimedia Elements
 - Interactive and Gamified eBooks

Manual Aficio 221 Introduction

In this digital age, the convenience of accessing information at our fingertips has become a necessity. Whether its research papers, eBooks, or user manuals, PDF files have become the preferred format for sharing and reading documents. However, the cost associated with purchasing PDF files can sometimes be a barrier for many individuals and organizations. Thankfully, there are numerous websites and platforms that allow users to download free PDF files legally. In this article, we will explore some of the best platforms to download free PDFs. One of the most popular platforms to download free PDF files is Project Gutenberg. This online library offers over 60,000 free eBooks that are in the public domain. From classic literature to historical documents, Project Gutenberg provides a wide range of PDF files that can be downloaded and enjoyed on various devices. The website is user-friendly and allows users to search for specific titles or browse through different categories. Another reliable platform for downloading Manual Aficio 221 free PDF files is Open Library. With its vast collection of over 1 million eBooks, Open Library has something for every reader. The website offers a seamless experience by providing options to borrow or download PDF files. Users simply need to create a free account to access this treasure trove of knowledge. Open Library also allows users to contribute by uploading and sharing their own PDF files, making it a collaborative platform for book enthusiasts. For those interested in academic resources, there are websites dedicated to providing free PDFs of research papers and scientific articles. One such website is Academia.edu, which allows researchers and scholars to share their work with a global audience. Users can download PDF files of research papers, theses, and dissertations covering a wide range of subjects. Academia.edu also provides a platform for discussions and networking within the academic community. When it comes to downloading Manual Aficio 221 free PDF files of magazines, brochures, and catalogs, Issuu is a popular choice. This digital publishing platform hosts a vast collection of publications from around the world. Users can search for specific titles or explore various categories and genres. Issuu offers a seamless reading experience with its user-friendly interface and allows users to download PDF files for offline reading. Apart from dedicated platforms, search engines also play a crucial role in finding free PDF files. Google, for instance, has an advanced search feature that allows users to filter results by file type. By specifying the file type as "PDF," users can find websites that offer free PDF downloads on a specific topic. While downloading Manual Aficio 221 free PDF files is convenient, its important to note that copyright laws must be respected. Always ensure that the PDF files you download are legally available for free. Many authors and publishers

voluntarily provide free PDF versions of their work, but its essential to be cautious and verify the authenticity of the source before downloading Manual Aficio 221. In conclusion, the internet offers numerous platforms and websites that allow users to download free PDF files legally. Whether its classic literature, research papers, or magazines, there is something for everyone. The platforms mentioned in this article, such as Project Gutenberg, Open Library, Academia.edu, and Issuu, provide access to a vast collection of PDF files. However, users should always be cautious and verify the legality of the source before downloading Manual Aficio 221 any PDF files. With these platforms, the world of PDF downloads is just a click away.

FAQs About Manual Aficio 221 Books

How do I know which eBook platform is the best for me? Finding the best eBook platform depends on your reading preferences and device compatibility. Research different platforms, read user reviews, and explore their features before making a choice. Are free eBooks of good quality? Yes, many reputable platforms offer high-quality free eBooks, including classics and public domain works. However, make sure to verify the source to ensure the eBook credibility. Can I read eBooks without an eReader? Absolutely! Most eBook platforms offer webbased readers or mobile apps that allow you to read eBooks on your computer, tablet, or smartphone. How do I avoid digital eye strain while reading eBooks? To prevent digital eye strain, take regular breaks, adjust the font size and background color, and ensure proper lighting while reading eBooks. What the advantage of interactive eBooks? Interactive eBooks incorporate multimedia elements, quizzes, and activities, enhancing the reader engagement and providing a more immersive learning experience. Manual Aficio 221 is one of the best book in our library for free trial. We provide copy of Manual Aficio 221 in digital format, so the resources that you find are reliable. There are also many Ebooks of related with Manual Aficio 221. Where to download Manual Aficio 221 online for free? Are you looking for Manual Aficio 221 PDF? This is definitely going to save you time and cash in something you should think about. If you trying to find then search around for online. Without a doubt there are numerous these available and many of them have the freedom. However without doubt you receive whatever you purchase. An alternate way to get ideas is always to check another Manual Aficio 221. This method for see exactly what may be included and adopt these ideas to your book. This site will almost certainly help you save time and effort, money and stress. If you are looking for free books then you really should consider finding to assist you try this. Several of Manual Aficio 221 are for sale to free while some are payable. If you arent sure if the books you would like to download works with for usage along with your computer, it is possible to download free trials. The free guides make it easy for someone to free access online library for download books to your device. You can get free download on free trial for lots of books categories. Our library is the biggest of these that have literally hundreds of thousands of different products categories represented. You will also see that there are specific sites

catered to different product types or categories, brands or niches related with Manual Aficio 221. So depending on what exactly you are searching, you will be able to choose e books to suit your own need. Need to access completely for Campbell Biology Seventh Edition book? Access Ebook without any digging. And by having access to our ebook online or by storing it on your computer, you have convenient answers with Manual Aficio 221 To get started finding Manual Aficio 221, you are right to find our website which has a comprehensive collection of books online. Our library is the biggest of these that have literally hundreds of thousands of different products represented. You will also see that there are specific sites catered to different categories or niches related with Manual Aficio 221 So depending on what exactly you are searching, you will be able to choose ebook to suit your own need. Thank you for reading Manual Aficio 221. Maybe you have knowledge that, people have search numerous times for their favorite readings like this Manual Aficio 221, but end up in harmful downloads. Rather than reading a good book with a cup of coffee in the afternoon, instead they juggled with some harmful bugs inside their laptop. Manual Aficio 221 is available in our book collection an online access to it is set as public so you can download it instantly. Our digital library spans in multiple locations, allowing you to get the most less latency time to download any of our books like this one. Merely said, Manual Aficio 221 is universally compatible with any devices to read.

Find Manual Aficio 221 :

~~friend of china the myth of rewi alley~~

from appomattox to germany

from distant days myths tales and poetry of ancient mesopotamia

fries alive

friends in high places the rise and fall of clark clifford

from devon with love

frogmen first battles

from god to nature the problem of emanation

from desire to godot pockets theater of postwar paris

from africa to the united states a conci

from exxon to engro

from cell to society in which there is a beginning middle and end

~~from common clay~~

from my grandmothers kitchen a jewish cookbook

from galileo to cosmic rays a new look a

Manual Aficio 221 :

abstract - Jul 19 2023

web oct 1 2023 bentuk bentuk interaksi sosial pada tokoh surya dan segara alam dalam novel noda tak kasat mata karya agnes jessica dan pulang karya leila s chudori perspektif georg simmel

download ebook karya agnes jessica pdf indonesia ebook - Oct 10 2022

web jejak kupu kupu download kumpulan buku novel ebook dan komik dari penulis agnes jessica dalam format pdf

abstrak karya agnes jessica jessica wrbb neu - Apr 04 2022

web right here we have countless book abstrak karya agnes jessica jessica and collections to check out we additionally provide variant types and as well as type of the books to browse the standard book fiction history novel scientific research as capably as various further sorts of books are

garuda garba rujukan digital - Sep 09 2022

web tema dalam novel sandra karya agnes jessica berdasarkan analisis latar adalah kebahagiaan di bawah temaran jakarta dalam novel pemeran utama adalah sandra yang dalam kehidupannya banyak dirundung masalah tetapi karena berkat ketegaran menghadapinya akhirnya ia bisa menikmati kebahagiaan

kekerasan terhadap perempuan dalam novel sang maharani karya agnes - Oct 22 2023

web abstract this study aims to describe the forms of violence against women in the novel sang maharani by agnes jessica and to describe the implications of the results of this research on violence against women in the novel sang maharani by agnes jessica in learning indonesian literature in schools

abstrak karya agnes jessica jessica wrbb neu - Aug 08 2022

web abstrak karya agnes jessica jessica is available in our digital library an online access to it is set as public so you can get it instantly our book servers hosts in multiple countries allowing you to get the most less latency time to download any of our books like this one

abstrak karya agnes jessica jessica copy neurocme med ucla - Mar 03 2022

web abstrak karya agnes jessica jessica is clear in our digital library an online right of entry to it is set as public in view of that you can download it instantly our digital library saves in multiple countries allowing you to acquire the most less latency era to download any of our books as soon as this one

novel maharani karya agnes jessica pendekatan struktural - May 17 2023

web sumber data yang digunakan dalam penelitian ini adalah novel maharani karya agnes jessica dengan tebal 269 halaman diterbitkan oleh pt grasindo 2004 sebagai cetakan pertama teknik pengumpulan data yang dilakukan dengan teknik pustaka

abstrak karya agnes jessica jessica pdf wrbb neu - Jul 07 2022

web 2 abstrak karya agnes jessica jessica 2023 05 03 they ve heard it all before but they couldn t be more wrong because this time the predator is a woman and the shining star of the department and the student a six foot male rugby player soon di fawley and his team are up against the clock to figure out the truth the almond penguin

abstrak karya agnes jessica jessica wrbb neu - Jun 06 2022

web agnes jessica jessica as you may know people have search numerous times for their favorite readings like this abstrak karya agnes jessica jessica but end up in harmful downloads rather than enjoying a good book with a cup of tea in the afternoon instead they cope with some malicious bugs inside their desktop computer abstrak karya

analisis unsur unsur intrinsik novel hijau karya agnes jessica - Mar 15 2023

web agnes jessica the results of this study include 1 the theme contained in the novel green by agnes jessica is the endless struggle to realize very noble dreams and ideals 2 the plot or

analisis unsur unsur intrinsik novel hijau karya agnes jessica - Sep 21 2023

web nov 15 2022 pdf penelitian ini bertujuan untuk 1 mengetahui apa tema pada novel hijau karya agnes jessica 2 mengetahui bagaimana alur pada novel hijau find read and cite all the

download novel after tunangan by agnes jessica pdf naberblog - May 05 2022

web download ebook after tunangan agnes jessica pdf untuk membaca novel yang berjudul after tunangan karya agnes jessica silahkan download dalam bentuk ebook format file pdf melalui link di bawah ini download baca novel after tunangan karya agnes jessica

sang maharani agnes jessica opac perpustakaan nasional ri - Jun 18 2023

web oct 20 2023 title sang maharani agnes jessica author agnes jessica penulis publisher jakarta gramedia pustaka utama 2017 jakarta gramedia pustaka utama 2017 subject fiksi indonesia isbn 978 602 037 616 5 type monograf

best agnes jessica books 24 books goodreads - Dec 12 2022

web 24 books based on 101 votes bukan pengantin terpilih by agnes jessica dongeng sebelum tidur by agnes jessica jejak kupu kupu by agnes jessica three d

kajian alur untuk mengungkapkan tema novel sandra karya agnes jessica - Jan 13 2023

web dec 10 2017 penelitian ini bertujuan untuk 1 mendeskripsikan latar yang digunakan dalam novel sandra karya agnes jessica 2 mengungkapkan tema yang terdapat dalam novel sandra karya agnes jessica adapun manfaat dari hasil penelitian ini adalah 1 menambah wawasan peneliti tentang latar dan tema dalam novel sandra karya agnes

uniqbu journal of social sciences ujss neliti - Feb 14 2023

web dalam novel piano di kotak kaca karya agnes jessicain ini terdapat empat kelompok gaya bahasa yaitu gaya bahasa

komparatif yaitu perumpamaan metafora personifikasi dan antitesis gaya bahasa yang kontradiktif yaitu hiperbola
analisis gender dalam novel sang maharani karya agnes jessica - Aug 20 2023

web abstract abstract this research type is descriptive research qualitative with the feminism approach data source in this research is novel of is the empress of masterpiece of agnes jessica

realitas gerakan 30 september 1965 dalam novel noda tak - Apr 16 2023

web penelitian ini bertujuan mendeskripsikan realitas sejarah gerakan 30 september 1965 beserta unsur intrinsik yang terkandung dalam novel noda tak kasat mata karya agnes jessica penelitian ini menarik untuk dilakukan karena 1 topik dalam novel bermanfaat sebagai penjelas dari disiplin ilmu lain sejarah bagi pembaca 2 ingin membuktikan
novel maharani karya agnes jessica pdf free - Nov 11 2022

web novel maharani karya agnes jessica 1 novel maharani karya agnes jessica pendekatan struktural skripsi diajukan untuk memenuhi sebagian persyaratan guna melengkapi gelar sarjana sastra author ratna setiawan 646kb size recommend documents novel maharani karya agnes jessica pendekatan

this will be my undoing harpercollins - Mar 11 2023

web jan 30 2018 from one of the fiercest critics writing today morgan jenkins highly anticipated collection of linked essays interweaves her incisive commentary on pop culture feminism black history misogyny and racism with her own experiences to confront the very real challenges of being a black woman

this will be my undoing living at the intersection of black female - Sep 17 2023

web jan 30 2018 this will be my undoing living at the intersection of black female and feminist in white america kindle edition by morgan jenkins author format kindle edition 4 6 4 6 out of 5 stars 523 ratings

moving out of singapore an expat s guide to relocating 99 co - Mar 31 2022

web be sure to check your agreement and hand in your notice in time or you might be stuck paying additional months rent to be safe hand in your notice well in advance of when you need to it s one less thing to worry about and gives your landlord more time to

download ebooks this will be my undoing living at the intersection - Jul 03 2022

web jul 6 2020 this will be my undoing living at the intersection of black female and feminist in white america detail of books author morgan jenkins pages 258 pages publisher harper perennial language eng isbn 10 35069544 isbn 13 9780062666154 book appearances availble in kindle hardcover

bitcoin btc bulls can point to 3 charts coindesk - May 01 2022

web 2 days ago plots related to global central banks u s financial conditions and the 10 year u s treasury yield suggest the path of least resistance for the cryptocurrency is upward

this will be my undoing living at the intersection of black - Feb 10 2023

web jan 30 2022 in this will be my undoing jerkins becomes both narrator and subject to expose the social cultural and historical story of black female oppression that influences the black community as well as the white male dominated world at large

this will be my undoing living at the intersection of black - Jan 09 2023

web general audible sample this will be my undoing living at the intersection of black female and feminist in white america audible audiobook unabridged morgan jerkins author narrator harperaudio publisher 323 ratings see all formats and editions kindle 10 99 read with our free app audiobook 0 00 free with your audible trial

this will be my undoing quotes by morgan jerkins goodreads - Jul 15 2023

web this will be my undoing living at the intersection of black female and feminist in white america by morgan jerkins 6 612 ratings 4 04 average rating 898 reviews open preview this will be my undoing quotes showing 1 10 of 10

this will be my undoing living at the intersection of black female - May 13 2023

web jan 30 2018 in this will be my undoing jerkins confronts the real world and her own real life including deeply private aspects of growing up black and female confronting racism sexism her christian upbringing family secrets and community fault lines

this will be my undoing living at the intersection of black - Jun 14 2023

web jan 30 2018 this will be my undoing living at the intersection of black female and feminist in white america morgan jerkins harpercollins jan 30 2018 biography autobiography 272 pages

this will be my undoing living at the intersection of black - Aug 16 2023

web this will be my undoing living at the intersection of black female and feminist in white america jerkins morgan jerkins morgan amazon sg books

this will be my undoing living at the intersection of black - Nov 07 2022

web this will be my undoing living at the intersection of black female and feminist in white america by jerkins morgan isbn 10 0062666150 isbn 13 9780062666154 harper perennial 2018 softcover

this will be my undoing living at the intersection of - Oct 18 2023

web jan 30 2018 morgan jerkins is the author of the new york times bestseller this will be my undoing living at the intersection of black female and feminist in white america and the forthcoming wandering in strange lands a daughter of the great migration reclaims her roots

this will be my undoing living at the intersection - Oct 06 2022

web summary of this will be my undoing review keypoints and take aways may 16 2023 the summary of this will be my

undoing living at the intersection of black female and feminist in white america presented here include a short review of the book at the start followed by quick

[morgan jerkins author of this will be my undoing goodreads](#) - Apr 12 2023

web edit data morgan jerkins is the author of the new york times bestseller this will be my undoing living at the intersection of black female and feminist in white america and the forthcoming wandering in strange lands a daughter of the great migration reclaims her roots a graduate of princeton university and the bennington writing

[this will be my undoing living at the intersection of black female](#) - Dec 08 2022

web this will be my undoing living at the intersection of black female and feminist in white america by morgan jerkins available in trade paperback on powells com also read synopsis and reviews named one of the most anticipated books of 2018 by esquire elle vogue nylon the millions

[this will be my undoing living at the intersection of black](#) - Sep 05 2022

web this will be my undoing living at the intersection of black female and feminist in white america ebook jerkins morgan amazon com au books

[this will be my undoing living at the intersection of black](#) - Feb 27 2022

web jan 30 2018 this will be my undoing living at the intersection of black female and feminist in white america audio cd unabridged january 30 2018 by morgan jerkins author 337 ratings

this will be my undoing living at the intersection of black - Aug 04 2022

web this will be my undoing living at the intersection of black female and feminist in white america audiobook written by morgan jerkins narrated by morgan jerkins get instant access to all your favorite books no monthly commitment listen online or offline with android ios web chromecast and google assistant try google play audiobooks

[why can t i move my condo on weekends house mover](#) - Jun 02 2022

web condo moving in and out rules in singapore condominium removal may be done on weekdays from 9 am to 5pm only weekend removal is not allowed the resident or tenant must submit a fully accomplished form supplied by the condominium management along with the imposed security fee this form must be fully accomplished with complete details

[big blue whale nicola davies 9780744578966 abebooks](#) - Nov 28 2022

web the blue whale is the biggest animal that has ever lived on earth curious young minds will love reading this sensuous exploration of what a blue whale feels sounds and smells like and learning facts about a whale s size life span diet babies and more synopsis may belong to another edition of this title about the author

big blue whale nature storybooks amazon com tr kitap - Oct 28 2022

web arama yapmak istediğiniz kategoriye seçin

big blue whale nature storybooks amazon co uk - Jun 04 2023

web jun 7 2012 the blue whale is the biggest animal that has ever lived on earth curious young minds will love reading this sensuous exploration of what a blue whale feels sounds and smells like and learning facts about a whale s size life span diet babies and more

big blue whale walker books australia - Apr 02 2023

web nature storybooks series age 5 nature the natural world buy now find out about the largest mammal on the planet in this fun informative award winning picture book part of the nature storybooks series the blue whale

big blue whale read and wonder by nicola davies goodreads - Aug 06 2023

web jun 2 1997 big blue whale is a book all about whales the lifestyle of a whale was told and the details about the body was described a big blue whale is the biggest creature on earth with the size of 100 feet long and weighs 150 tons they only eat krill and have to migrate to warmer waters in the winter season

big blue whale book reviews rgfe reading groups - Jul 25 2022

web jul 21 2020 find out about the largest mammal on the planet in this fun informative award winning picture book part of the nature storybooks series tweet rate and review add to reading list

big blue whale a book by nicola davies and nick maland - Dec 30 2022

web the blue whale is the biggest animal that has ever lived on earth curious young minds will love reading this sensuous exploration of what a blue whale feels sounds and smells like and learning facts about a whale s size life span diet babies and more product details price 7 99 7 59 publisher walker books ltd publish date 30 july 2015

big blue whale best books for schools - Apr 21 2022

web jul 30 2015 the blue whale is the biggest animal that has ever lived on earth curious young minds will love reading this sensuous exploration of what a blue whale feels sounds and smells like and learning facts about a whale s size life span diet babies and more tagged dolphins whales and sea mammals and oceans the nature storybooks series

9780744578966 big blue whale davies nicola 0744578965 - May 23 2022

web the blue whale is the biggest animal that has ever lived on earth curious young minds will love reading this sensuous exploration of what a blue whale feels sounds and more buy new learn more about this copy 7 21 convert currency shipping free within united kingdom destination rates speeds add to basket

big blue whale nature storybooks by nicola davies booktopia - Sep 26 2022

web oct 1 2015 product details mother s day delivery find out about the largest mammal on the planet in this fun informative award winning picture book part of the nature storybooks series the blue whale is the biggest animal that has ever lived on earth

big blue whale nature storybooks davies nicola - Aug 26 2022

web the blue whale is the biggest animal that has ever lived on earth curious young minds will love reading this sensuous exploration of what a blue whale feels sounds and smells like and learning facts about a whale s size life span diet babies and more

big blue whale by davies nicola abebooks - Feb 17 2022

web big blue whale nature storybooks davies nicola published by walker 2008 isbn 10 1406312576 isbn 13 9781406312577 seller reuseabook gloucester united kingdom seller rating contact seller book used softcover condition used good 1 23 convert currency 1 20 shipping within united kingdom quantity 2 add to basket

big blue whale 1 nature storybooks nicola davies - Sep 07 2023

web big blue whale 1 nature storybooks nicola davies amazon com tr Çerez tercihlerinizi seçin alışveriş deneyiminizi geliştirmek hizmetlerimizi sunmak müşterilerin hizmetlerimizi nasıl kullandığını anlayarak iyileştirmeler yapabilmek ve tanıtımları gösterebilmek için çerezler ve benzeri araçları kullanmaktayız

big blue whale nature storybooks amazon co uk - Oct 08 2023

web paperback 7 april 2008 the blue whale is the biggest animal that has ever lived on earth curious young minds will love reading this sensuous exploration of what a blue whale feels sounds and smells like and learning facts about a whale s size life span diet babies and more

9781406312577 big blue whale nature storybooks by davies - Mar 21 2022

web the blue whale is the biggest animal that has ever lived on earth curious young minds will love reading this sensuous exploration of what a blue whale feels sounds and smells

big blue whale nature storybooks davies nicola - Jan 31 2023

web the blue whale is the biggest animal that has ever lived on earth curious young minds will love reading this sensuous exploration of what a blue whale feels sounds and smells like and learning facts about a whale s size life span diet babies and more

big blue whale nicola davies nick maland 9780744578966 - Mar 01 2023

web children s books animals buy new 11 88 get fast free shipping with amazon prime free returns free delivery thursday february 16 if you spend 25 on items shipped by amazon select delivery location only 3 left in stock more on the way qty 1 buy now secure transaction ships from amazon com sold by amazon com returns

big blue whale davies nicola maland nick amazon in books - May 03 2023

web nicola davies big blue whale paperback picture book 30 july 2015 by nicola davies author nick maland illustrator 4 7 175 ratings part of read and wonder 50 books see all formats and editions school library binding 3 011 00 1 used from 2 672 23 1

new from 3 011 00 paperback 715 00 4 new from 713 00 save extra with 3 offers

big blue whale booktrust - Jun 23 2022

web big blue whale author nicola davies illustrator nick maland publisher walker books nicola trained as a zoologist taking a degree in natural sciences from king s college cambridge she spent some years as a field biologist and studied humpback and sperm whales and bats before joining the bbc natural history unit as a researcher and

big blue whale nicola davies google books - Jul 05 2023

web the blue whale is the biggest animal that has ever lived on earth curious young minds will love reading this sensuous exploration of what a blue whale feels sounds and smells like and