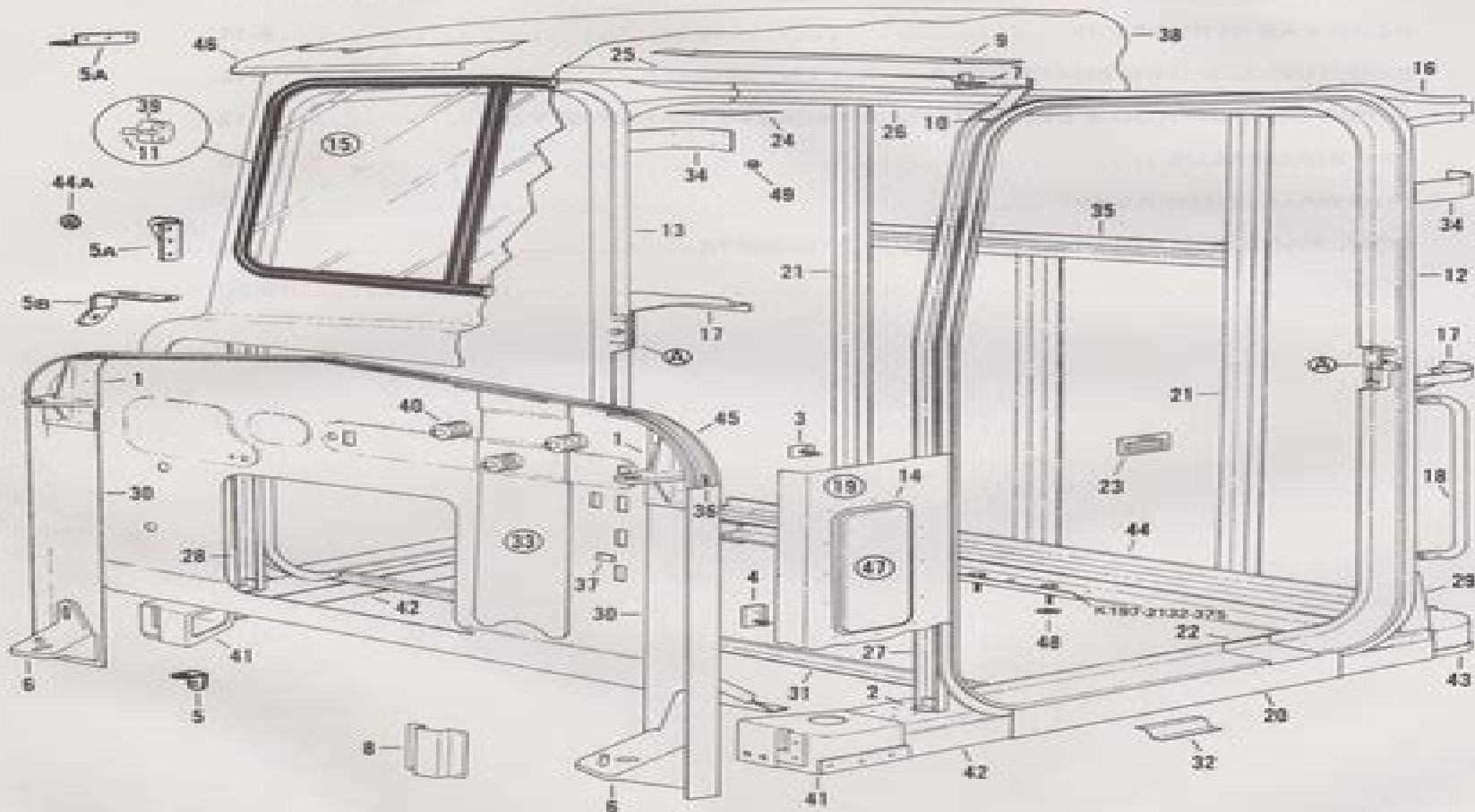


BASIC FRONT CAB STRUCTURE (SHELL)

STANDARD 70-9-10-11-12-13-14-15-16-17-18-19-20-21-22-23-24-25-26-27-28-29-30-31-32-33-34-35-36-37-38-39-40-41-42-43-44-45-46-47-48-49-50-51-52-53-54-55



⑤ — See Page 6 for Striker Plate Assy. & Related Parts

016001

# Kenworth Master Maintenance Manual

**B Lingard**



## **Kenworth Master Maintenance Manual:**

When somebody should go to the ebook stores, search opening by shop, shelf by shelf, it is in point of fact problematic. This is why we allow the book compilations in this website. It will very ease you to look guide **Kenworth Master Maintenance Manual** as you such as.

By searching the title, publisher, or authors of guide you truly want, you can discover them rapidly. In the house, workplace, or perhaps in your method can be every best area within net connections. If you endeavor to download and install the Kenworth Master Maintenance Manual, it is agreed easy then, back currently we extend the belong to to buy and make bargains to download and install Kenworth Master Maintenance Manual so simple!

<https://staging.conocer.cide.edu/public/publication/Documents/kzn%20ancillary%20health%20care%20june%202013%20examination%20papers.pdf>

## **Table of Contents Kenworth Master Maintenance Manual**

1. Understanding the eBook Kenworth Master Maintenance Manual
  - The Rise of Digital Reading Kenworth Master Maintenance Manual
  - Advantages of eBooks Over Traditional Books
2. Identifying Kenworth Master Maintenance Manual
  - Exploring Different Genres
  - Considering Fiction vs. Non-Fiction
  - Determining Your Reading Goals
3. Choosing the Right eBook Platform
  - Popular eBook Platforms
  - Features to Look for in an Kenworth Master Maintenance Manual
  - User-Friendly Interface
4. Exploring eBook Recommendations from Kenworth Master Maintenance Manual
  - Personalized Recommendations
  - Kenworth Master Maintenance Manual User Reviews and Ratings

- Kenworth Master Maintenance Manual and Bestseller Lists
- 5. Accessing Kenworth Master Maintenance Manual Free and Paid eBooks
  - Kenworth Master Maintenance Manual Public Domain eBooks
  - Kenworth Master Maintenance Manual eBook Subscription Services
  - Kenworth Master Maintenance Manual Budget-Friendly Options
- 6. Navigating Kenworth Master Maintenance Manual eBook Formats
  - ePub, PDF, MOBI, and More
  - Kenworth Master Maintenance Manual Compatibility with Devices
  - Kenworth Master Maintenance Manual Enhanced eBook Features
- 7. Enhancing Your Reading Experience
  - Adjustable Fonts and Text Sizes of Kenworth Master Maintenance Manual
  - Highlighting and Note-Taking Kenworth Master Maintenance Manual
  - Interactive Elements Kenworth Master Maintenance Manual
- 8. Staying Engaged with Kenworth Master Maintenance Manual
  - Joining Online Reading Communities
  - Participating in Virtual Book Clubs
  - Following Authors and Publishers Kenworth Master Maintenance Manual
- 9. Balancing eBooks and Physical Books Kenworth Master Maintenance Manual
  - Benefits of a Digital Library
  - Creating a Diverse Reading Collection Kenworth Master Maintenance Manual
- 10. Overcoming Reading Challenges
  - Dealing with Digital Eye Strain
  - Minimizing Distractions
  - Managing Screen Time
- 11. Cultivating a Reading Routine Kenworth Master Maintenance Manual
  - Setting Reading Goals Kenworth Master Maintenance Manual
  - Carving Out Dedicated Reading Time
- 12. Sourcing Reliable Information of Kenworth Master Maintenance Manual
  - Fact-Checking eBook Content of Kenworth Master Maintenance Manual
  - Distinguishing Credible Sources

13. Promoting Lifelong Learning
  - Utilizing eBooks for Skill Development
  - Exploring Educational eBooks
14. Embracing eBook Trends
  - Integration of Multimedia Elements
  - Interactive and Gamified eBooks

### **Kenworth Master Maintenance Manual Introduction**

Free PDF Books and Manuals for Download: Unlocking Knowledge at Your Fingertips In today's fast-paced digital age, obtaining valuable knowledge has become easier than ever. Thanks to the internet, a vast array of books and manuals are now available for free download in PDF format. Whether you are a student, professional, or simply an avid reader, this treasure trove of downloadable resources offers a wealth of information, conveniently accessible anytime, anywhere. The advent of online libraries and platforms dedicated to sharing knowledge has revolutionized the way we consume information. No longer confined to physical libraries or bookstores, readers can now access an extensive collection of digital books and manuals with just a few clicks. These resources, available in PDF, Microsoft Word, and PowerPoint formats, cater to a wide range of interests, including literature, technology, science, history, and much more. One notable platform where you can explore and download free Kenworth Master Maintenance Manual PDF books and manuals is the internet's largest free library. Hosted online, this catalog compiles a vast assortment of documents, making it a veritable goldmine of knowledge. With its easy-to-use website interface and customizable PDF generator, this platform offers a user-friendly experience, allowing individuals to effortlessly navigate and access the information they seek. The availability of free PDF books and manuals on this platform demonstrates its commitment to democratizing education and empowering individuals with the tools needed to succeed in their chosen fields. It allows anyone, regardless of their background or financial limitations, to expand their horizons and gain insights from experts in various disciplines. One of the most significant advantages of downloading PDF books and manuals lies in their portability. Unlike physical copies, digital books can be stored and carried on a single device, such as a tablet or smartphone, saving valuable space and weight. This convenience makes it possible for readers to have their entire library at their fingertips, whether they are commuting, traveling, or simply enjoying a lazy afternoon at home. Additionally, digital files are easily searchable, enabling readers to locate specific information within seconds. With a few keystrokes, users can search for keywords, topics, or phrases, making research and finding relevant information a breeze. This efficiency saves time and effort, streamlining the learning process and allowing individuals to focus on extracting the information they need. Furthermore, the availability of free PDF books and manuals fosters a culture

of continuous learning. By removing financial barriers, more people can access educational resources and pursue lifelong learning, contributing to personal growth and professional development. This democratization of knowledge promotes intellectual curiosity and empowers individuals to become lifelong learners, promoting progress and innovation in various fields. It is worth noting that while accessing free Kenworth Master Maintenance Manual PDF books and manuals is convenient and cost-effective, it is vital to respect copyright laws and intellectual property rights. Platforms offering free downloads often operate within legal boundaries, ensuring that the materials they provide are either in the public domain or authorized for distribution. By adhering to copyright laws, users can enjoy the benefits of free access to knowledge while supporting the authors and publishers who make these resources available. In conclusion, the availability of Kenworth Master Maintenance Manual free PDF books and manuals for download has revolutionized the way we access and consume knowledge. With just a few clicks, individuals can explore a vast collection of resources across different disciplines, all free of charge. This accessibility empowers individuals to become lifelong learners, contributing to personal growth, professional development, and the advancement of society as a whole. So why not unlock a world of knowledge today? Start exploring the vast sea of free PDF books and manuals waiting to be discovered right at your fingertips.

### **FAQs About Kenworth Master Maintenance Manual Books**

How do I know which eBook platform is the best for me? Finding the best eBook platform depends on your reading preferences and device compatibility. Research different platforms, read user reviews, and explore their features before making a choice. Are free eBooks of good quality? Yes, many reputable platforms offer high-quality free eBooks, including classics and public domain works. However, make sure to verify the source to ensure the eBook credibility. Can I read eBooks without an eReader? Absolutely! Most eBook platforms offer webbased readers or mobile apps that allow you to read eBooks on your computer, tablet, or smartphone. How do I avoid digital eye strain while reading eBooks? To prevent digital eye strain, take regular breaks, adjust the font size and background color, and ensure proper lighting while reading eBooks. What the advantage of interactive eBooks? Interactive eBooks incorporate multimedia elements, quizzes, and activities, enhancing the reader engagement and providing a more immersive learning experience. Kenworth Master Maintenance Manual is one of the best book in our library for free trial. We provide copy of Kenworth Master Maintenance Manual in digital format, so the resources that you find are reliable. There are also many Ebooks of related with Kenworth Master Maintenance Manual. Where to download Kenworth Master Maintenance Manual online for free? Are you looking for Kenworth Master Maintenance Manual PDF? This is definitely going to save you time and cash in something you should think about. If you trying to find then search around for online. Without a doubt there are numerous these available and many of

them have the freedom. However without doubt you receive whatever you purchase. An alternate way to get ideas is always to check another Kenworth Master Maintenance Manual. This method for see exactly what may be included and adopt these ideas to your book. This site will almost certainly help you save time and effort, money and stress. If you are looking for free books then you really should consider finding to assist you try this. Several of Kenworth Master Maintenance Manual are for sale to free while some are payable. If you arent sure if the books you would like to download works with for usage along with your computer, it is possible to download free trials. The free guides make it easy for someone to free access online library for download books to your device. You can get free download on free trial for lots of books categories. Our library is the biggest of these that have literally hundreds of thousands of different products categories represented. You will also see that there are specific sites catered to different product types or categories, brands or niches related with Kenworth Master Maintenance Manual. So depending on what exactly you are searching, you will be able to choose e books to suit your own need. Need to access completely for Campbell Biology Seventh Edition book? Access Ebook without any digging. And by having access to our ebook online or by storing it on your computer, you have convenient answers with Kenworth Master Maintenance Manual To get started finding Kenworth Master Maintenance Manual, you are right to find our website which has a comprehensive collection of books online. Our library is the biggest of these that have literally hundreds of thousands of different products represented. You will also see that there are specific sites catered to different categories or niches related with Kenworth Master Maintenance Manual So depending on what exactly you are searching, you will be able to choose ebook to suit your own need. Thank you for reading Kenworth Master Maintenance Manual. Maybe you have knowledge that, people have search numerous times for their favorite readings like this Kenworth Master Maintenance Manual, but end up in harmful downloads. Rather than reading a good book with a cup of coffee in the afternoon, instead they juggled with some harmful bugs inside their laptop. Kenworth Master Maintenance Manual is available in our book collection an online access to it is set as public so you can download it instantly. Our digital library spans in multiple locations, allowing you to get the most less latency time to download any of our books like this one. Merely said, Kenworth Master Maintenance Manual is universally compatible with any devices to read.

**Find Kenworth Master Maintenance Manual :**

[kzn ancillary health care june 2013 examination papers](#)

[kuecps caurses offered at chuka university](#)

**kymco filly 50 lx full service repair manual**

**ky underground study guide**

*kuta quadratics inverse operations*



**kwazulu natal university 2016 prospectors**

**kymco yager 50 manual**

[kymco mxu 150 service manual](#)

[kylene beers note and notice signposts](#)

[kyocera mita km 3050 km 4050 km 5050 service manual](#)

**kymco bet win b w 150 service repair manual**

[kuhn 700 cutter service manual](#)

[kyocera fs 3540mfp fs 3640mfp service manual parts list](#)

[kzn exam economics p1 september 2014 memorandum](#)

**kuta equations of circles**

**Kenworth Master Maintenance Manual :**

**applied optimization with matlab programming guide books** - Jun 14 2023

web abstract technology engineering mechanicalprovides all the tools needed to begin solving optimization problems using matlab the second edition of applied optimization with matlab programming enables readers to harness all the features of matlab to solve optimization problems using a variety of linear and nonlinear design optimization

[applied optimization with matlab programming second edition skillsoft](#) - Dec 08 2022

web provides all the tools needed to begin solving optimization problems using matlab the second edition of applied optimization with matlab programming enables readers to harness all the features of matlab to solve optimization problems using a variety of linear and nonlinear design optimization

**applied optimization with matlab programming 2nd edition** - May 13 2023

web the second edition of applied optimization with matlab programming enables readers to harness all the features of matlab to solve optimization problems using a variety of linear and nonlinear design optimization techniques

[applied optimization with matlab programming google books](#) - Apr 12 2023

web the second edition of applied optimization with matlab programming enables readers to harness all the features of matlab to solve optimization problems using a variety of linear and

*applied optimization with matlab programming 2e* - Jul 03 2022

web the revised second edition includes design optimization techniques such as multidisciplinary optimization explicit solutions for boundary value problems and particle swarm optimization matlab is used to solve many application examples

[applied optimization with matlab programming wiley](#) - Jan 09 2023

web applied optimization with matlab programming develops all necessary mathematical concepts illustrates abstract mathematical ideas of optimization using matlabs rich graphics features and introduces new programming skills incrementally as optimization concepts are presented

*applied optimization with matlab programming pdf scribd* - Feb 10 2023

web applied optimization with matlab programming free download as pdf file pdf text file txt or read online for free pages of applied optimization with matlab programming

**applied optimization with matlab programming 2nd edition** - Mar 11 2023

web the second edition of applied optimization with matlab programming enables readers to harness all the features of matlab to solve optimization problems using a variety of linear and nonlinear design optimization techniques

applied optimization with matlab programming 2nd edition - Jun 02 2022

web venkataraman applied optimization with matlab programming 2nd edition home browse by chapter browse by chapter

**applied optimization with matlab programming 2nd edition** - Dec 28 2021

web the second edition of applied optimization with matlab programming enables readers to harness all the features of matlab to solve optimization problems using a variety of linear and nonlinear design optimization techniques

*applied optimization with matlab programming 2nd edition* - Aug 04 2022

web applied optimization with matlab programming 2nd edition welcome to the web site for cover image for product

047008488x applied optimization with matlab programming 2nd edition by p venkataraman this web site gives you access to the rich tools and resources available for this text

**applied optimization with matlab programming pdf pdffiller** - Oct 06 2022

web brochure more information from researchandmarkets com reports 2242410 applied optimization with matlab programming 2nd edition description technology engineering mechanical provides fill form try risk free

**applied optimization with matlab programming 02 edition** - Feb 27 2022

web applied optimization with matlab programming develops all necessary mathematical concepts illustrates abstract mathematical ideas of optimization using matlab s rich graphics features and introduces new programming skills incrementally as optimization concepts are presented

**applied optimization with matlab programming 2nd edition** - Nov 07 2022

web this is classic coverage of optimization methods with a focus on modeling and the illustration of the numerical techniques via matlab the author will add a completely new chapter covering non traditional design optimization techniques such as multidisciplinary optimization explicit solution for boundary value problems and particle swarm

**applied optimization with matlab programming hardcover** - Mar 31 2022

web the second edition of applied optimization with matlab programming enables readers to harness all the features of matlab to solve optimization problems using a variety of linear and nonlinear design optimization techniques

[applied optimization with matlab programming searchworks](#) - Sep 05 2022

web this book covers all classical linear and nonlinear optimization techniques while focusing on the standard mathematical engine matlab as with the first edition the author uses matlab in examples for running computer based optimization problems

*applied optimization with matlab programming hardcover* - May 01 2022

web mar 23 2009 the second edition of applied optimization with matlab programming enables readers to harness all the features of matlab to solve optimization problems using a variety of linear and

**applied optimization with matlab programming request pdf** - Jan 29 2022

web jan 1 2002 the optimization process is implemented in matlab 2020b 48 and all remaining processes are conducted in python on pytorch 49 based on a parametric study n latent vector for gans training is

*applied optimization with matlab programming 2nd edition* - Jul 15 2023

web the second edition of applied optimization with matlab programming enables readers to harness all the features of matlab to solve optimization problems using a variety of linear and nonlinear design optimization techniques

[applied optimization with matlab programming 2e](#) - Aug 16 2023

web applied optimization with matlab programming 2e written for upper level undergraduate and graduate engineering students this book covers classical linear and nonlinear optimization techniques using matlab

[ford fmx automatic transmission diagnosis service and training manual](#) - Jun 14 2023

web jan 1 2021 this product is a collection of three original ford transmission manuals fmx automatic transmission diagnosis and service course 1715 108 fmx transmission principles of operation course 1715 106 inn1 and the automatic transmission diagnosis programmed instruction book volume 70 s6 l2 course 7530

**fmx automatic transmission diagnosis service and training manual** - May 13 2023

web jun 24 2020 description this product is a collection of three original ford transmission manuals fmx automatic transmission diagnosis and service course 1715 108 fmx transmission principles of operation course 1715 106 inn1 and the automatic transmission diagnosis programmed instruction book volume 70 s6 l2 course

*how to rebuilt a ford fmx transmsion part 1 youtube* - Mar 11 2023

web apr 27 2017 how to rebuilt a ford fmx transmsion part 1 deome s workshop 1 48k subscribers 19k views 6 years ago part 1 the dismantling of a ford fmx tranny

*how to rebuild the ford fmx transmission youtube* - Jan 09 2023

web jun 10 2012 this copyrighted video is a short clip taken mid way through the disassembly of the full length film on

rebuilding the ford fmx transmission this project is

[fmx performance reprogramming kit with manual shift control](#) - Jun 02 2022

web fmx reprogramming kit with manual shift control for full manual conversion this feature fully converts the valve body to manual stick shift operation only no automatic shifts if at any time you want to switch back to automatic shifts you have the ability to

[fmx automatic transmission manual ecidirecto org fmx transmission](#) - Dec 28 2021

web fmx reflex transmission manual fmx automatic conveyance diagnosis service and training manual

**fmx automatic transmission diagnosis service training manual** - Dec 08 2022

web fmx automatic transmission diagnosis service and training manual when maintaining or rebuilding a ford fmx

transmission these manuals can really come in hand the manuals are digital reproductions of original printed materials used by ford technicians offering a level of versatility and long life that conventional print manuals can t match

[3 speed auto fmx to 5 speed manual ford forums](#) - May 01 2022

web jan 24 2006 hello i have a 1970 mustang mach 1 with a 351 cleveland 2v and a 3 speed auto fmx and i have been wanting to do the swap to a manual but im not sure how to go about it which bellhousing do i use and which transmission

**understand automatic transmissions mustang c4 c6 and fmx motortrend** - Nov 07 2022

web feb 29 2012 the fmx is more old school with a ravineaux twin planetary system instead of the independent simpson type common to c4 and c6 the c4 has a low reverse band as does the fmx the c6 has low reverse

**transmisión automática ford fmx manual de reparación** - Feb 27 2022

web disfruta del manual para reparar cajas automáticas descargar manual transmisión ford fmx gratis desde mega la mejor recopilación de manuales de transmisiones automáticas compartido desde el mejor servidor de descarga de archivos mega clic para descargar manual de reparación para caja automática ford fmx

**fmx transmission parts speedway motors** - Mar 31 2022

web manual transmission parts 40 products sort by clear all category transmission transmission family fmx mr gasket 5507668 mr gasket 7668 floor shifter 3 4 speed automatic 14 149 95 each add to cart quick fuel technology 424496qft

[ford c4 fmx automatic rebuild manual](#) - Feb 10 2023

web this is the most comprehensive workshop manual available for the c4 and fmx automatic transmission suitable for the home workshop mechanic or professional technician very easy step by step instructions with lots of diagrams this c4 and fmx rebuild manual contains the following information

[fmx transmission repair manual max tq one can handle ford](#) - Sep 05 2022

web jul 16 2020 clutch transmission differential axle transfer case fmx transmission repair manual max tq one can handle

ok here is my questions i have a fmx transmission that needs a rebuild i also have a handle on a freshly rebuilt fmx for 150 00 plus a new stall convertor my biggest question is how much tq can the

*fmx automatic transmission manual fordmanuals com* - Aug 16 2023

web description this product is a collection of three original ford transmission manuals fmx automatic transmission diagnosis and service course 1715 108 fmx transmission principles of operation course 1715 106 inn1 and the automatic transmission diagnosis programmed instruction book volume 70 s6 l2 course 7530

**fmx transmission parts repair guidelines problems manuals** - Jul 15 2023

web transmission general data the fmx is a fully automatic 3 speed gearbox ensuring automatic up shifts and down shifts via the 3 forward gear ratios this gearbox also includes manual selection of first and second gears it is reported that fmx combines in itself the best features of mx and fx modifications what are you looking for

*cruise o matic wikipedia* - Oct 06 2022

web ford decided to combine the best attributes of the mx and fx transmissions and ended up with an improved version of the x called fmx this transmission used the stronger mx type rotating parts in the smaller fx style case this cut down on both weight and the number of transmission components ford needed to make

**fmx automatic transmission diagnosis service and training manual** - Jul 03 2022

web fmx automatic transmission diagnosis service and training operation ean 978 1 60371 199 9 isbn 1 60371 199 6 forel publishing company llc

**fmx automatic transmission manual ebarti com untitled** - Jan 29 2022

web fmx reflex transmission manual fmx automatic transmission diagnosis service and training manual

**ford c4 fmx automatic transmission rebuild manual** - Apr 12 2023

web ford c4 fmx automatic transmission genuine comprehensive rebuild service manual pdf download easy step by step instructions for the home workshop mechanic or professional technician to help service repair or rebuild the ford c4 fmx automatic transmissions

[list of ford transmissions wikipedia](#) - Aug 04 2022

web list of automatic dual clutch automatic and manual transmissions and transaxles used in vehicles manufactured by ford motor company automatic 1950 1965 ford o matic 1958 1979 cruise o matic mx fx 1968 1981 fmx a hybrid of the fx and mx 1964 1981 c4 most small block v8 powered cars of the 1960s and 1970s in the north american market

**sg ready stock led star night light music led projector** - Oct 18 2023

web product parameters name music star projector power input usb dc 5v 2a 2000ma projection range 161 538 feet 15 50m product size 123 164mm power

[colorful led galaxy music projector lamp with bluetooth music](#) - Apr 12 2023

web music starry night light projector starry night light can project a realistic starry night onto the walls and ceiling creating a good sleeping environment for babies showing an

[tartiere night light lamp proiettore musica led s download](#) - Jun 14 2023

web tartiere night light lamp proiettore musica led s recognizing the exaggeration ways to acquire this book tartiere night light lamp proiettore musica led s is additionally

[tartiere night light lamp proiettore musica led star sky](#) - Oct 06 2022

web jun 1 2023 lampade da tavolo per neonate ragazzi camera da letto baby nursery lights by tartiere tartiere night light lamp proiettore musica led star sky

[tartiere night light lamp proiettore musica led s pdf ftp](#) - Mar 31 2022

web discover the notice tartiere night light lamp proiettore musica led s that you are looking for it will certainly squander the time however below following you visit this web

**colorful led galaxy music projector lamp with bluetooth music** - Jul 15 2023

web besides design b is more sensitive to voice control lighting features 1 21 colours dynamic projections 2 remote control musical 3 gifts for family children 4 music starry

**buy night light products at sale prices online shopee singapore** - Sep 17 2023

web magnetic induction light human body induction light led induction light usb charging light control intelligent induction night light corridor light cabinet light 13 50

**tartiere night light lamp proiettore musica led star sky** - Sep 05 2022

web jun 7 2023 tartiere night light lamp proiettore musica led star sky proiezione romantico luci notturne giocattoli lampade da tavolo per neonate ragazzi camera

**lighting singapore designer led lighting singapore light atelier** - Jan 09 2023

web lighting up your interiors and exteriors light atelier singapore is one of the best luxury lighting company in singapore our wide range of light products includes everything

[tartiere night light lamp proiettore musica led s pdf copy old](#) - Dec 08 2022

web tartiere night light lamp proiettore musica led s pdf pages 2 9 tartiere night light lamp proiettore musica led s pdf upload dona t boyle 2 9 downloaded from

[tartiere night light lamp proiettore musica led star sky](#) - Jun 02 2022

web camera da letto baby nursery lights by tartiere tartiere night light lamp proiettore musica led star sky proiezione romantico luci notturne giocattoli lampade da

[tartiery night light lamp proiettore musica led s uniport edu](#) - Nov 26 2021

web apr 22 2023 tartiery night light lamp proiettore musica led s 2 6 downloaded from uniport edu ng on april 22 2023 by guest way in this rich but complex domain dutch

[tartiery night light lamp proiettore musica led s pdf wp](#) - Feb 27 2022

web however nestled within the pages of tartiery night light lamp proiettore musica led s a interesting literary value sporting with organic emotions lies an extraordinary quest

**outdoor lamps singapore outdoor lighting singapore light atelier** - Jul 03 2022

web light atelier provides you the best outdoor lamps lighting in singapore check out the outdoor lighting collections like designer wall mount hanging lights or spotlights

**conference faan gov ng** - Jan 29 2022

web conference faan gov ng

**lights lamps lanterns nook and cranny** - Feb 10 2023

web lights and lamps not only brighten up your homes but also add an element of style to your living spaces browse through our collection of standing lamps table lamps and even

**great places to find lamps and lights in singapore expat living** - Mar 11 2023

web nov 22 2022 table lamps and lighting are so important here s a selection of lampshades and lights in singapore shops to get your ambience just right

[customer care lazada sg](#) - Dec 28 2021

web mobile accessories audio wearables console accessories camera accessories computer accessories storage printers computer components network components

**tartiery night light lamp proiettore musica led s uniport edu** - May 13 2023

web tartiery night light lamp proiettore musica led s 2 5 downloaded from uniport edu ng on april 18 2023 by guest and teachers that a native speaker s competence in a language

[tartiery night light lamp proiettore musica led s pdf](#) - Aug 04 2022

web tartiery night light lamp proiettore musica led s 1 7 downloaded from uniport edu ng on june 6 2023 by guest tartiery night light lamp proiettore musica led s as

[tartiery night light lamp proiettore musica led s pdf 2023](#) - Aug 16 2023

web mar 19 2023 the broadcast tartiery night light lamp proiettore musica led s pdf that you are looking for it will enormously squander the time however below later than you

**tartiery night light lamp proiettore musica led s pdf** - May 01 2022

web may 12 2023 tartiery night light lamp proiettore musica led s pdf that we will very offer it is not on the costs its just about what you obsession currently this tartiery

**tartiery night light lamp proiettore musica led s pdf full pdf** - Nov 07 2022

web may 29 2023 tartiery night light lamp proiettore musica led s pdf when people should go to the ebook stores search introduction by shop shelf by shelf it is in point of