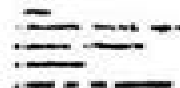


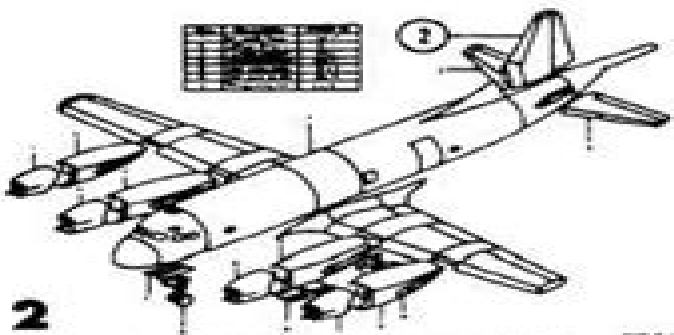
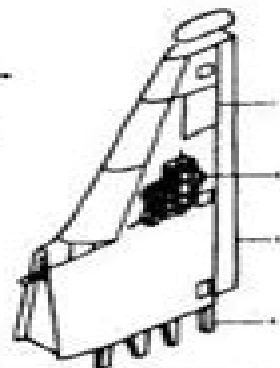
**1**

DETERMINE EXTENT OF DAMAGE



**4**

FROM COMPONENT MASTER INDEX, LOCATE STRUCTURE ILLUSTRATION



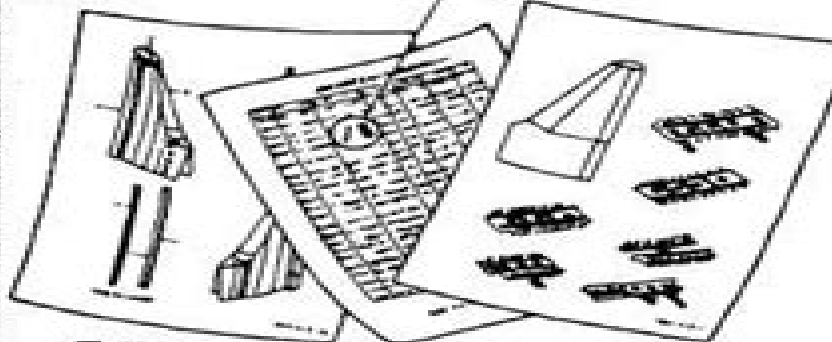
**2**

FROM MASTER INDEX DIAGRAM, LOCATE APPLICABLE GROUP MASTER INDEX



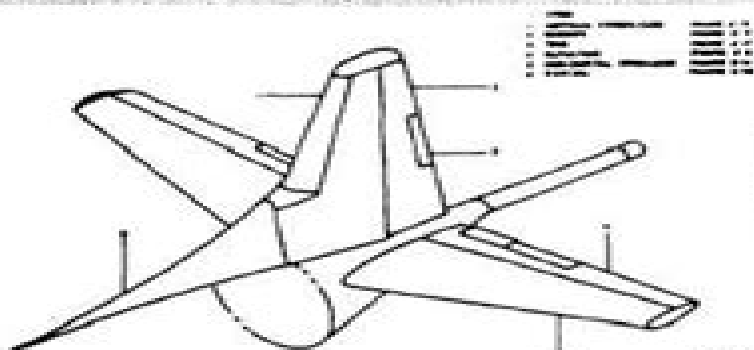
DO NOT USE DRAWING NUMBERS FOR ORDERING PARTS - REFER TO MAYWEPS 01-73P42-4

NUMBER FOLLOWING VERSICLE INDICATES OPPOSITE HAND PART



**5**

FROM KEY TO STRUCTURE ILLUSTRATION, LOCATE REPAIR ILLUSTRATION



**3**

FROM GROUP MASTER INDEX LOCATE COMPONENT MASTER INDEX



FORM NO. 1087 MC97187



**6**

COMPARE CLEANED-UP DAMAGE WITH THE LIMITS OF NEGLIGIBLE DAMAGE. IF DAMAGE EXCEEDS THESE LIMITS, REPAIR THE PART IN ACCORDANCE WITH INSTRUCTIONS OR REPLACE PART



# Faa Structural Repair Manual

**Katrin Zwirgmaier**



## **Faa Structural Repair Manual:**

## Unveiling the Magic of Words: A Report on "**Faa Structural Repair Manual**"

In a global defined by information and interconnectivity, the enchanting power of words has acquired unparalleled significance. Their ability to kindle emotions, provoke contemplation, and ignite transformative change is truly awe-inspiring. Enter the realm of "**Faa Structural Repair Manual**," a mesmerizing literary masterpiece penned with a distinguished author, guiding readers on a profound journey to unravel the secrets and potential hidden within every word. In this critique, we shall delve into the book's central themes, examine its distinctive writing style, and assess its profound affect on the souls of its readers.

[https://staging.conocer.cide.edu/public/virtual-library/Download\\_PDFS/Grade%20English%20Exam%20June%20Paper%20.pdf](https://staging.conocer.cide.edu/public/virtual-library/Download_PDFS/Grade%20English%20Exam%20June%20Paper%20.pdf)

### **Table of Contents Faa Structural Repair Manual**

1. Understanding the eBook Faa Structural Repair Manual
  - The Rise of Digital Reading Faa Structural Repair Manual
  - Advantages of eBooks Over Traditional Books
2. Identifying Faa Structural Repair Manual
  - Exploring Different Genres
  - Considering Fiction vs. Non-Fiction
  - Determining Your Reading Goals
3. Choosing the Right eBook Platform
  - Popular eBook Platforms
  - Features to Look for in an Faa Structural Repair Manual
  - User-Friendly Interface
4. Exploring eBook Recommendations from Faa Structural Repair Manual
  - Personalized Recommendations
  - Faa Structural Repair Manual User Reviews and Ratings

- Faa Structural Repair Manual and Bestseller Lists
- 5. Accessing Faa Structural Repair Manual Free and Paid eBooks
  - Faa Structural Repair Manual Public Domain eBooks
  - Faa Structural Repair Manual eBook Subscription Services
  - Faa Structural Repair Manual Budget-Friendly Options
- 6. Navigating Faa Structural Repair Manual eBook Formats
  - ePub, PDF, MOBI, and More
  - Faa Structural Repair Manual Compatibility with Devices
  - Faa Structural Repair Manual Enhanced eBook Features
- 7. Enhancing Your Reading Experience
  - Adjustable Fonts and Text Sizes of Faa Structural Repair Manual
  - Highlighting and Note-Taking Faa Structural Repair Manual
  - Interactive Elements Faa Structural Repair Manual
- 8. Staying Engaged with Faa Structural Repair Manual
  - Joining Online Reading Communities
  - Participating in Virtual Book Clubs
  - Following Authors and Publishers Faa Structural Repair Manual
- 9. Balancing eBooks and Physical Books Faa Structural Repair Manual
  - Benefits of a Digital Library
  - Creating a Diverse Reading Collection Faa Structural Repair Manual
- 10. Overcoming Reading Challenges
  - Dealing with Digital Eye Strain
  - Minimizing Distractions
  - Managing Screen Time
- 11. Cultivating a Reading Routine Faa Structural Repair Manual
  - Setting Reading Goals Faa Structural Repair Manual
  - Carving Out Dedicated Reading Time
- 12. Sourcing Reliable Information of Faa Structural Repair Manual
  - Fact-Checking eBook Content of Faa Structural Repair Manual
  - Distinguishing Credible Sources

- 
13. Promoting Lifelong Learning
    - Utilizing eBooks for Skill Development
    - Exploring Educational eBooks
  14. Embracing eBook Trends
    - Integration of Multimedia Elements
    - Interactive and Gamified eBooks

### **Faa Structural Repair Manual Introduction**

In today's digital age, the availability of Faa Structural Repair Manual books and manuals for download has revolutionized the way we access information. Gone are the days of physically flipping through pages and carrying heavy textbooks or manuals. With just a few clicks, we can now access a wealth of knowledge from the comfort of our own homes or on the go. This article will explore the advantages of Faa Structural Repair Manual books and manuals for download, along with some popular platforms that offer these resources. One of the significant advantages of Faa Structural Repair Manual books and manuals for download is the cost-saving aspect. Traditional books and manuals can be costly, especially if you need to purchase several of them for educational or professional purposes. By accessing Faa Structural Repair Manual versions, you eliminate the need to spend money on physical copies. This not only saves you money but also reduces the environmental impact associated with book production and transportation. Furthermore, Faa Structural Repair Manual books and manuals for download are incredibly convenient. With just a computer or smartphone and an internet connection, you can access a vast library of resources on any subject imaginable. Whether you're a student looking for textbooks, a professional seeking industry-specific manuals, or someone interested in self-improvement, these digital resources provide an efficient and accessible means of acquiring knowledge. Moreover, PDF books and manuals offer a range of benefits compared to other digital formats. PDF files are designed to retain their formatting regardless of the device used to open them. This ensures that the content appears exactly as intended by the author, with no loss of formatting or missing graphics. Additionally, PDF files can be easily annotated, bookmarked, and searched for specific terms, making them highly practical for studying or referencing. When it comes to accessing Faa Structural Repair Manual books and manuals, several platforms offer an extensive collection of resources. One such platform is Project Gutenberg, a nonprofit organization that provides over 60,000 free eBooks. These books are primarily in the public domain, meaning they can be freely distributed and downloaded. Project Gutenberg offers a wide range of classic literature, making it an excellent resource for literature enthusiasts. Another popular platform for Faa Structural Repair Manual books and manuals is Open Library. Open Library is an initiative of the Internet Archive, a non-profit organization dedicated to digitizing cultural artifacts and making them accessible to the public.

Open Library hosts millions of books, including both public domain works and contemporary titles. It also allows users to borrow digital copies of certain books for a limited period, similar to a library lending system. Additionally, many universities and educational institutions have their own digital libraries that provide free access to PDF books and manuals. These libraries often offer academic texts, research papers, and technical manuals, making them invaluable resources for students and researchers. Some notable examples include MIT OpenCourseWare, which offers free access to course materials from the Massachusetts Institute of Technology, and the Digital Public Library of America, which provides a vast collection of digitized books and historical documents. In conclusion, Faa Structural Repair Manual books and manuals for download have transformed the way we access information. They provide a cost-effective and convenient means of acquiring knowledge, offering the ability to access a vast library of resources at our fingertips. With platforms like Project Gutenberg, Open Library, and various digital libraries offered by educational institutions, we have access to an ever-expanding collection of books and manuals. Whether for educational, professional, or personal purposes, these digital resources serve as valuable tools for continuous learning and self-improvement. So why not take advantage of the vast world of Faa Structural Repair Manual books and manuals for download and embark on your journey of knowledge?

## FAQs About Faa Structural Repair Manual Books

**What is a Faa Structural Repair Manual PDF?** A PDF (Portable Document Format) is a file format developed by Adobe that preserves the layout and formatting of a document, regardless of the software, hardware, or operating system used to view or print it. **How do I create a Faa Structural Repair Manual PDF?** There are several ways to create a PDF: Use software like Adobe Acrobat, Microsoft Word, or Google Docs, which often have built-in PDF creation tools. Print to PDF: Many applications and operating systems have a "Print to PDF" option that allows you to save a document as a PDF file instead of printing it on paper. Online converters: There are various online tools that can convert different file types to PDF. **How do I edit a Faa Structural Repair Manual PDF?** Editing a PDF can be done with software like Adobe Acrobat, which allows direct editing of text, images, and other elements within the PDF. Some free tools, like PDFescape or Smallpdf, also offer basic editing capabilities. **How do I convert a Faa Structural Repair Manual PDF to another file format?** There are multiple ways to convert a PDF to another format: Use online converters like Smallpdf, Zamzar, or Adobe Acrobats export feature to convert PDFs to formats like Word, Excel, JPEG, etc. Software like Adobe Acrobat, Microsoft Word, or other PDF editors may have options to export or save PDFs in different formats. **How do I password-protect a Faa Structural Repair Manual PDF?** Most PDF editing software allows you to add password protection. In Adobe Acrobat, for instance, you can go to "File" -> "Properties" -> "Security" to set a password to restrict access or editing capabilities. Are there any free

alternatives to Adobe Acrobat for working with PDFs? Yes, there are many free alternatives for working with PDFs, such as: LibreOffice: Offers PDF editing features. PDFsam: Allows splitting, merging, and editing PDFs. Foxit Reader: Provides basic PDF viewing and editing capabilities. How do I compress a PDF file? You can use online tools like Smallpdf, ILovePDF, or desktop software like Adobe Acrobat to compress PDF files without significant quality loss. Compression reduces the file size, making it easier to share and download. Can I fill out forms in a PDF file? Yes, most PDF viewers/editors like Adobe Acrobat, Preview (on Mac), or various online tools allow you to fill out forms in PDF files by selecting text fields and entering information. Are there any restrictions when working with PDFs? Some PDFs might have restrictions set by their creator, such as password protection, editing restrictions, or print restrictions. Breaking these restrictions might require specific software or tools, which may or may not be legal depending on the circumstances and local laws.

### **Find Faa Structural Repair Manual :**

*grade english exam june paper 2*

*grade 9 term 1 assessment memorandum maths*

**grade hudson park high school geography**

**grade account ng quest on paper 2014**

grade 9 geography september phase

grade geography paper 2 final exam

grade memo life science november december 2014 gauteng

grade 9 final exam ss

*grade giography exam quation paper 2014 november*

grade 9 natural science exam paper

*grade maths exam paper november 23*

grade 9 paper 2 sesotho

grade afrikaans exam paper term 4

grade economics memorandum for november 2014

grade economics paper 2 2014 memorandum

### **Faa Structural Repair Manual :**

easy steps to chinese vol 1 workbook simplified characters version - Mar 06 2023



---

web jul 1 2006 [easy steps to chinese vol 1 workbook simplified characters version ma yamin on amazon com free shipping on qualifying offers](#)

[easy steps to chinese vol 1 teacher s book](#) - Nov 02 2022

web [easy steps to chinese vol 1 teacher s book](#) this is the accompanying book of the textbook and workbook of easy steps to chinese vol 1 it can be consulted by teachers to prepare lessons there are answers to most exercises in the textbook and the workbook

[easy steps to chinese vol 1 workbook asia publications](#) - Apr 07 2023

web [easy steps to chinese](#) has three stages stage 1 books 1 and 2 stage 2 books 3 4 5 and 6 and stage 3 books 7 and 8 after completing this series the students will acquire a vocabulary of approximately 1 600 chinese characters and develop confidence in using chinese to communicate either orally or in written forms

**easy steps to chinese 1 workbook pdf scribd** - Sep 12 2023

web from everand the constant gardener a novel john le carré [easy steps to chinese 1 workbook free ebook download as pdf file pdf or read book online for free](#) □□□□

**easy steps to chinese vol 1 workbook workbook v 1 jiang li** - Mar 26 2022

web [easy steps to chinese vol 1 workbook workbook v 1](#) is available in our digital library an online access to it is set as public so you can get it instantly our book servers spans in multiple countries allowing you to get the most less latency time to download any of our books like this one

[easy steps to chinese 1 workbook simplified chinese](#) - Dec 03 2022

web [easy steps to chinese 1 workbook simplified chinese ma yamin amazon com au books](#)

[easy steps to chinese vol 1 workbook workbook v 1 by yamin](#) - May 28 2022

web [easy steps to chinese vol 1 workbook workbook v 1 by yamin](#) ma [easy steps to chinese](#) has three stages stage 1 books 1 and 2 stage 2 books 3 4 5 and 6 and stage 3 books 7 and 8 after pleting this series the students will acquire a vocabulary of approximately 1 600 chinese characters and develop confidence in using chinese

[free download easy steps to chinese vol 1 workbook](#) - Apr 26 2022

web jun 23 2020 [read online pdf easy steps to chinese vol 1 workbook simplified characters version download pdf easy steps to chinese vol 1 workbook simplified characters version read full pdf easy steps to chinese vol 1 workbook simplified characters version read pdf and epub easy steps to chinese vol 1 workbook](#)

**easy steps to chinese vol 1 workbook chinoeasy** - Aug 11 2023

web this is the 1 vol workbook of [easy steps to chinese](#) series providing exercises closely related to the content in the 1 vol textbook there are exercises for each lesson 5 units of reviews and tests and the vocabulary list indexed on pinyin with items

like character writing translation reading comprehension sim

**easy steps to chinese vol 1 workbook blcup com** - May 08 2023

web e book view book description this is the 1 vol workbook of easy steps to chinese series providing exercises closely related to the content in the 1 vol textbook there are exercises for each lesson 5 units of reviews and tests

easy steps to chinese vol 1 workbook paperback waterstones - Aug 31 2022

web jan 1 2007 weight 500 g dimensions 272 x 208 mm buy easy steps to chinese vol 1 workbook by ma yamin li xinying from waterstones today click and collect from your local waterstones or get free uk delivery on orders over 25

**easy steps to chinese 1 workbook free download pdf** - Oct 01 2022

web jul 24 2022 download easy steps to chinese 1 workbook description view more comments report easy steps to chinese 1 workbook please fill this form we will try to respond as soon as possible your name email reason description close submit

share embed easy steps to chinese 1 workbook please copy and paste this embed

*easy steps to chinese vol 1 workbook paperback amazon* - Jul 10 2023

web easy steps to chinese vol 1 workbook yamin ma xinying li amazon sg books

**easy steps to chinese vol 1 workbook workbook v 1 pdf** - Feb 22 2022

web tyrant peisistratos the narrative of book v sprawls over asia africa and europe naming more than 350 people and places the reader will find in herodotus a literate keenly observant wide ranging guide to a time when persia ruled 40 percent of the world s population and was confronted by an uneasy and fragile alliance of greek city states

*easy steps to chinese workbook qing song xue zhong wen* - Jul 30 2022

web easy steps to chinese workbook qing song xue zhong wen bookreader item preview tesseract 5 2 0 1 gc42a ocr detected lang en ocr detected lang conf 1 0000 ocr detected script han ocr detected script conf 0 7919 ocr module version 0 0 17 ocr parameters l eng old pallet ia19342

*easy steps to chinese vol 1 textbook* - Feb 05 2023

web easy steps to chinese vol 1 textbook is composed of five three lesson units covering topics like 150 200 new characters pinyin basic strokes numbers greetings dates age telephone numbers family self introduction jobs time daily routine transport colours clothing parts of body

**easy steps to chinese vol 1 workbook** - Oct 13 2023

web easy steps to chinese vol 1 workbook this is the 1st vol workbook of easy steps to chinese series providing exercises closely related to the content in the 1st vol textbook there are exercises for each lesson 5 units of reviews and tests and the vocabulary list indexed on pinyin

**easy steps to chinese 1 workbookby ma yamin li xinying** - Jun 09 2023

web this is the 1st vol workbook of easy steps to chinese series providing exercises closely related to the content in the 1st vol textbook there are exercises for each lesson 5 units of reviews and tests and the vocabulary list indexed on pinyin

[pdf epub easy steps to chinese vol 1 workbook](#) - Jun 28 2022

web feb 18 2020 pdf easy steps to chinese vol 1 workbook simplified chinese version read pdf easy steps to chinese vol 1 workbook simplified chinese version full pdf easy steps to chinese vol 1 workbook simplified chinese version all ebook easy steps to chinese vol 1 workbook simplified chinese version pdf and epub

[easy steps to chinese vol 1 textbook chinoeasy](#) - Jan 04 2023

web it is designed for both primary and secondary school students who are taking chinese exams such as gcse igcse as u k sat ii ap u s a ib chinese language b standard level or for those students who are starting to learn chinese on their own easy steps to chinese has three stages stage 1 books 1 and 2 stage 2 books 3 4 5

**mariengebete pfarrei kueps de** - Jun 03 2023

web salve regina sei gegrüßt o königin mutter der barmherzigkeit unser leben unsre wonne und unsre hoffnung sei gegrüßt zu dir rufen wir verbannte kinder evas zu dir

**o maria hilf maria hilf gebete heilige maria** - Jan 18 2022

**die schönsten und wichtigsten mariengebete deutschland world** - Jul 24 2022

web listen to o mutter der barmherzigkeit on spotify emmanuel music deutsch song 2017

[hilf maria es ist zeit deutschland braucht mariens hilfe](#) - Dec 29 2022

web gesang zur eröffnung maria maienkönigin gl 865 im maien hebt die schöpfung an gl 866 o maria sei gegrüßt gl 523  
meerstern ich dich grüße gl 524 125

**maiandacht mutter der barmherzigkeit** - Aug 25 2022

web muttergottes der barmherzigkeit besteht aus drei gesätzen zu beginn sei gegrüßt o königin mutter der barmherzigkeit unser leben unsere wonne und

**maria die mutter der barmherzigkeit erzdioezese wien** - Jan 30 2023

web aug 8 2014 jesus ist das zentrale wort im gegrüßet seist du maria der lobpreis gottes ist das zentrale thema aller mariengebete zu maria die uns jesus am kreuz zur

**mariengebete gebete zur mutter gottes heilige maria** - Sep 25 2022

web der barmherzigkeit trösten für so viel undank mit der ihre güte vergolten wird wir bitten die muttergottes der barmherzigkeit fürbitte einzulegen für ihre verehrer mögen sie

[gebet o maria hilf maria hilf gebete marienlied](#) - Aug 05 2023

---

web salve regina sei begrüßt o königin mutter der barmherzigkeit unser leben unsere wonne unsere hoffnung sei begrüßt zu dir rufen wir verbannte kinder evas zu dir  
o mutter der barmherzigkeit mariengebete dev awamaki org - Nov 15 2021

salve regina sei begrüßt o königin gebete zur - Sep 06 2023

web sei begrüßt mutter der barmherzigkeit auf die fürsprache der jungfräulichen mutter maria herr und gott auf die fürsprache der jungfräulichen mutter maria schenke uns

mariengebete von johannes paul ii erzdioezese wien - Oct 07 2023

web salve regina sei begrüßt o königin mutter der barmherzigkeit unser leben unsre wonne unsre hoffnung sei begrüßt zu dir rufen wir verbannte kinder evas zu dir

o maria hilf maria hilf gebete mutter gottes eu - Dec 17 2021

**gebet zur mutter der barmherzigkeit leben im geist - Feb 28 2023**

web sei begrüßt o königin mutter der barmherzigkeit unser leben unsre wonne und unsre hoffnung sei begrüßt zu dir rufen wir verbannte kinder eva s zu dir seufzen wir

mariengebete medjugorje - Jul 04 2023

web sep 29 2017 v o mutter so komm hilf beten mir o mutter so komm hilf streiten mir o mutter so komm hilf leiden mir o mutter so komm und bleib bei mir a du kannst mir

meine homepage muttergottes der barmherzigkeit - Apr 20 2022

web es fleht ein armes kind zu dir du bist es ja die helfen kann nimm dich mutter meiner an hilf maria es ist zeit hilf mutter der barmherzigkeit du bist mächtig uns aus nöten

**o mutter der barmherzigkeit maria hilf op 146 1 joseph - Jun 22 2022**

web o mutter der barmherzigkeit mariengebete martin luther bd im kloster 3 und 4 aufl mirjam jesus unser meister ein katholisches gebetbuch 15 verb u verm aufl kunst

novene zur muttergottes der barmherzigkeit gottes warnung de - May 22 2022

web es fleht ein armes kind zu dir du bist es ja die helfen kann nimm dich mutter meiner an hilf maria es ist zeit hilf mutter der barmherzigkeit du bist mächtig uns aus nöten

**gebete zur gottesmutter maria und liedvorschläge mein - Apr 01 2023**

web o mutter der barmherzigkeit mariengebete wiener wallfahrt zu dem gnadenbilde der schmerzhaften mutter gottes in dreieichen neue zum täglichen gebrauche

---

o mutter der barmherzigkeit mariengebete vps huratips - Feb 16 2022

**o mutter der barmherzigkeit mariengebete old syndeohro** - Nov 27 2022

web der engel des herrn wird von dreifaltigkeitssonntag in der früh bis einschließlich karsamstag in der früh gebetet und zwar dreimal täglich morgens mittags und

gebete maria - Oct 27 2022

web kostenlose noten alle mit hörbeispiel und einzelstimmentrainer joseph güttler o mutter der barmherzigkeit maria hilf op 146 1 chor satb

marienlieder und gebete katholisch at - May 02 2023

web dec 2 2015 die mutter des gekreuzigten und auferstandenen ist eingetreten in das heiligtum der göttlichen barmherzigkeit denn sie hatte zutiefst teil am geheimnis

**o mutter der barmherzigkeit song and lyrics by emmanuel** - Mar 20 2022

web o mutter der barmherzigkeit mariengebete 1 o mutter der barmherzigkeit mariengebete stenographische protokolle das vermächtnis meines sohnes

**le più belle storie in giallo amazon es libros** - Feb 26 2022

web le più belle storie in giallo amazon es libros saltar al contenido principal es hola elige tu dirección todos los departamentos selecciona el departamento que quieras buscar

**le più belle storie in giallo 9788852224898 books amazon ca** - Aug 03 2022

web le più belle storie in giallo 9788852224898 books amazon ca skip to main content ca hello select your address books en hello sign in account lists returns orders

le più belle storie in giallo disney ebook libreria ibs - Mar 10 2023

web disney editore disney libri formato epub3 con adobe drm testo in italiano cloud sì scopri di più compatibilità tutti i dispositivi eccetto kindle scopri di più ean

*le più belle storie in giallo 9788852239090 in fumetti libreria* - Apr 30 2022

web acquista le più belle storie in giallo su libreria universitaria spedizione gratuita sopra i 25 euro su libreria universitaria giocattoli prima infanzia articoli cucina le più belle

**le più belle storie in giallo amazon com au books** - Nov 25 2021

web le più belle storie in giallo amazon com au books skip to main content com au delivering to sydney 1171 sign in to update books select the department you want to

**le più belle storie in giallo giunti giunti editore** - Dec 27 2021

---

web sep 30 2015 le migliori storie a fumetti in giallo con protagonisti i personaggi del mondo disney cartaceo acquista su prezzo 9 90 editore disney libri

**le più belle storie the best of in giallo giunti** - Aug 15 2023

web may 25 2022 le avventure proposte in questo volume sono un concentrato di paura e mistero ritroviamo le classiche atmosfere del thriller in una selezione di storie che tra enigmi e investigatori esaltano il genere letterario del giallo

**le più belle storie in giallo hardcover 30 sept 2015** - Jan 08 2023

web disney le più belle storie in giallo hardcover 30 sept 2015 italian edition 471 ratings part of le più belle storie 51 books see all formats and editions hardcover

**le più belle storie in giallo libro mondadori store** - Dec 07 2022

web le più belle storie in giallo pubblicato da walt disney company italia dai un voto prezzo online 9 90 o 3 rate da 3 30 senza interessi disponibilità immediata la

**le più belle storie in giallo disney ebook mondadori store** - Sep 23 2021

web le avventure proposte in questo volume sono un concentrato di paura e mistero ritroviamo le classiche atmosfere del thriller in una selezione di storie che tra enigmi e investigatori

**le più belle storie in giallo 8 le più belle storie disney** - Mar 30 2022

web jan 8 2018 pagine 368 p ill le più belle storie in giallo descrizione le migliori storie a fumetti dedicate ai gialli con protagonisti i personaggi del mondo disney indagini

le più belle storie in giallo italian edition kindle edition - Sep 04 2022

web jun 3 2015 buy le più belle storie in giallo italian edition read kindle store reviews amazon com

amazon fr le più belle storie in giallo livres - Jul 02 2022

web noté 5 retrouvez le plus belles histoires en giallo et des millions de livres en stock sur amazon fr achetez neuf ou d occasion

le più belle storie in giallo libro lafeltrinelli - Feb 09 2023

web le storie in giallo e i personaggi disney sono intrecciate da sempre e in particolare topolino è il grande protagonista di indagini inseguimenti all'ultimo respiro e lotta con i

**le più belle storie in giallo formato kindle amazon it** - Jun 01 2022

web collezione molto bella che contiene 9 storie dedicate al mondo del giallo a fumetti la maggior parte delle storie ha topolino come protagonista ma troviamo anche altri

le più belle storie in giallo disney walt amazon it libri - Jun 13 2023

web collezione molto bella che contiene 9 storie dedicate al mondo del giallo a fumetti la maggior parte delle storie ha topolino come protagonista ma troviamo anche altri

le più belle storie in giallo aa vv amazon it libri - Oct 05 2022

web le avventure proposte in questo volume sono un concentrato di paura e mistero ritroviamo le classiche atmosfere del thriller in una selezione di storie che tra enigmi e investigatori

le più belle storie in giallo libro disney libri le più belle - Jul 14 2023

web le più belle storie in giallo è un libro pubblicato da disney libri nella collana le più belle storie the best of acquista su ibs a 9 40

*le più belle storie in giallo amazon com au books* - Oct 25 2021

web select the department you want to search in

**le più belle storie in giallo by walt disney company** - Nov 06 2022

web apr 1 2014 85 ratings12 reviews le migliori storie a fumetti in giallo con protagonisti i personaggi del mondo disney genres comics graphic novels comics manga short

**le più belle storie in giallo the best of vol 8 amazon it** - Apr 11 2023

web le più belle storie in giallo the best of vol 8 è un antologia di racconti di genere giallo scritti da autori famosi come agatha christie arthur conan doyle e georges

**le più belle storie in giallo libro disney libri libreria ibs** - May 12 2023

web dec 5 2020 le più belle storie in giallo è un libro pubblicato da disney libri nella collana le più belle storie acquista su ibs a 9 34

**le più belle storie horror disney walt amazon it libri** - Jan 28 2022

web disney le più belle storie horror copertina rigida 17 giugno 2015 di walt disney autore 483 voti parte di le più belle storie 76 libri visualizza tutti i formati ed edizioni