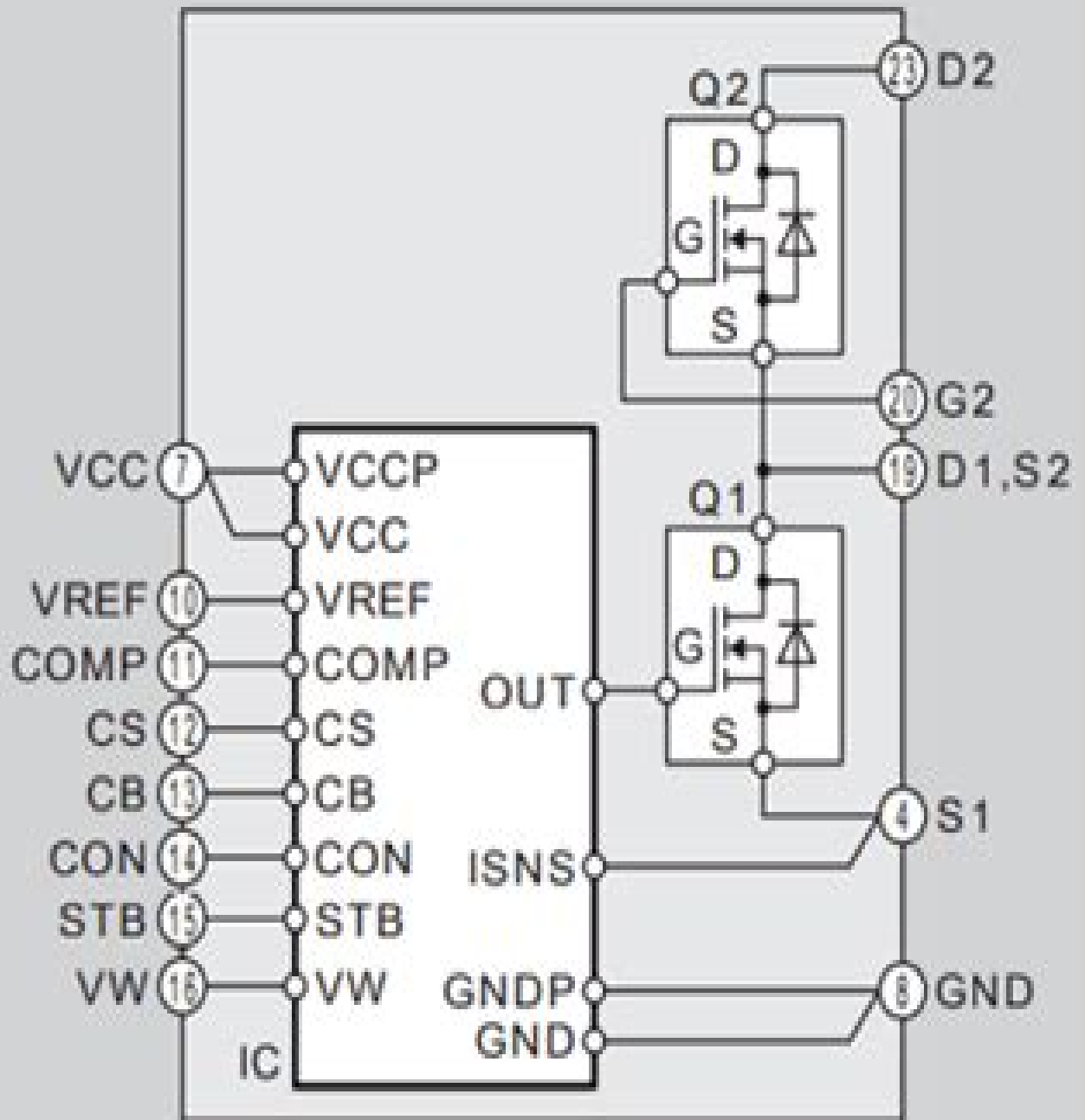
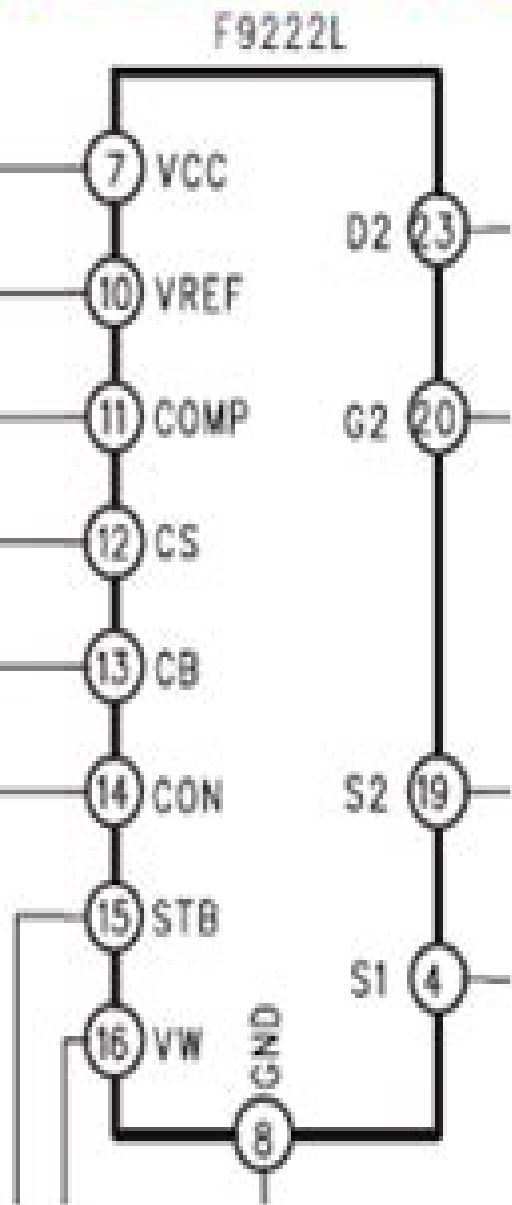


F9222L



F92221 Datasheet User Guide

Léo Pomar



F92221 Datasheet User Guide:

The Enigmatic Realm of **F9222l Datasheet User Guide**: Unleashing the Language is Inner Magic

In a fast-paced digital era where connections and knowledge intertwine, the enigmatic realm of language reveals its inherent magic. Its capacity to stir emotions, ignite contemplation, and catalyze profound transformations is nothing short of extraordinary. Within the captivating pages of **F9222l Datasheet User Guide** a literary masterpiece penned by way of a renowned author, readers embark on a transformative journey, unlocking the secrets and untapped potential embedded within each word. In this evaluation, we shall explore the book's core themes, assess its distinct writing style, and delve into its lasting effect on the hearts and minds of those who partake in its reading experience.

<https://staging.conocer.cide.edu/book/virtual-library/HomePages/Kubasek%20Dynamic%20Business%20Law%202nd%20Edition.pdf>

Table of Contents F9222l Datasheet User Guide

1. Understanding the eBook F9222l Datasheet User Guide
 - The Rise of Digital Reading F9222l Datasheet User Guide
 - Advantages of eBooks Over Traditional Books
2. Identifying F9222l Datasheet User Guide
 - Exploring Different Genres
 - Considering Fiction vs. Non-Fiction
 - Determining Your Reading Goals
3. Choosing the Right eBook Platform
 - Popular eBook Platforms
 - Features to Look for in an F9222l Datasheet User Guide
 - User-Friendly Interface
4. Exploring eBook Recommendations from F9222l Datasheet User Guide
 - Personalized Recommendations
 - F9222l Datasheet User Guide User Reviews and Ratings

- F9222l Datasheet User Guide and Bestseller Lists
- 5. Accessing F9222l Datasheet User Guide Free and Paid eBooks
 - F9222l Datasheet User Guide Public Domain eBooks
 - F9222l Datasheet User Guide eBook Subscription Services
 - F9222l Datasheet User Guide Budget-Friendly Options
- 6. Navigating F9222l Datasheet User Guide eBook Formats
 - ePub, PDF, MOBI, and More
 - F9222l Datasheet User Guide Compatibility with Devices
 - F9222l Datasheet User Guide Enhanced eBook Features
- 7. Enhancing Your Reading Experience
 - Adjustable Fonts and Text Sizes of F9222l Datasheet User Guide
 - Highlighting and Note-Taking F9222l Datasheet User Guide
 - Interactive Elements F9222l Datasheet User Guide
- 8. Staying Engaged with F9222l Datasheet User Guide
 - Joining Online Reading Communities
 - Participating in Virtual Book Clubs
 - Following Authors and Publishers F9222l Datasheet User Guide
- 9. Balancing eBooks and Physical Books F9222l Datasheet User Guide
 - Benefits of a Digital Library
 - Creating a Diverse Reading Collection F9222l Datasheet User Guide
- 10. Overcoming Reading Challenges
 - Dealing with Digital Eye Strain
 - Minimizing Distractions
 - Managing Screen Time
- 11. Cultivating a Reading Routine F9222l Datasheet User Guide
 - Setting Reading Goals F9222l Datasheet User Guide
 - Carving Out Dedicated Reading Time
- 12. Sourcing Reliable Information of F9222l Datasheet User Guide
 - Fact-Checking eBook Content of F9222l Datasheet User Guide
 - Distinguishing Credible Sources

13. Promoting Lifelong Learning
 - Utilizing eBooks for Skill Development
 - Exploring Educational eBooks
14. Embracing eBook Trends
 - Integration of Multimedia Elements
 - Interactive and Gamified eBooks

F9222I Datasheet User Guide Introduction

In the digital age, access to information has become easier than ever before. The ability to download F9222I Datasheet User Guide has revolutionized the way we consume written content. Whether you are a student looking for course material, an avid reader searching for your next favorite book, or a professional seeking research papers, the option to download F9222I Datasheet User Guide has opened up a world of possibilities. Downloading F9222I Datasheet User Guide provides numerous advantages over physical copies of books and documents. Firstly, it is incredibly convenient. Gone are the days of carrying around heavy textbooks or bulky folders filled with papers. With the click of a button, you can gain immediate access to valuable resources on any device. This convenience allows for efficient studying, researching, and reading on the go. Moreover, the cost-effective nature of downloading F9222I Datasheet User Guide has democratized knowledge. Traditional books and academic journals can be expensive, making it difficult for individuals with limited financial resources to access information. By offering free PDF downloads, publishers and authors are enabling a wider audience to benefit from their work. This inclusivity promotes equal opportunities for learning and personal growth. There are numerous websites and platforms where individuals can download F9222I Datasheet User Guide. These websites range from academic databases offering research papers and journals to online libraries with an expansive collection of books from various genres. Many authors and publishers also upload their work to specific websites, granting readers access to their content without any charge. These platforms not only provide access to existing literature but also serve as an excellent platform for undiscovered authors to share their work with the world. However, it is essential to be cautious while downloading F9222I Datasheet User Guide. Some websites may offer pirated or illegally obtained copies of copyrighted material. Engaging in such activities not only violates copyright laws but also undermines the efforts of authors, publishers, and researchers. To ensure ethical downloading, it is advisable to utilize reputable websites that prioritize the legal distribution of content. When downloading F9222I Datasheet User Guide, users should also consider the potential security risks associated with online platforms. Malicious actors may exploit vulnerabilities in unprotected websites to distribute malware or steal personal information. To protect themselves, individuals should ensure their devices have reliable antivirus software installed and

validate the legitimacy of the websites they are downloading from. In conclusion, the ability to download F9222I Datasheet User Guide has transformed the way we access information. With the convenience, cost-effectiveness, and accessibility it offers, free PDF downloads have become a popular choice for students, researchers, and book lovers worldwide. However, it is crucial to engage in ethical downloading practices and prioritize personal security when utilizing online platforms. By doing so, individuals can make the most of the vast array of free PDF resources available and embark on a journey of continuous learning and intellectual growth.

FAQs About F9222I Datasheet User Guide Books

What is a F9222I Datasheet User Guide PDF? A PDF (Portable Document Format) is a file format developed by Adobe that preserves the layout and formatting of a document, regardless of the software, hardware, or operating system used to view or print it. **How do I create a F9222I Datasheet User Guide PDF?** There are several ways to create a PDF: Use software like Adobe Acrobat, Microsoft Word, or Google Docs, which often have built-in PDF creation tools. Print to PDF: Many applications and operating systems have a "Print to PDF" option that allows you to save a document as a PDF file instead of printing it on paper. Online converters: There are various online tools that can convert different file types to PDF. **How do I edit a F9222I Datasheet User Guide PDF?** Editing a PDF can be done with software like Adobe Acrobat, which allows direct editing of text, images, and other elements within the PDF. Some free tools, like PDFescape or Smallpdf, also offer basic editing capabilities. **How do I convert a F9222I Datasheet User Guide PDF to another file format?** There are multiple ways to convert a PDF to another format: Use online converters like Smallpdf, Zamzar, or Adobe Acrobat's export feature to convert PDFs to formats like Word, Excel, JPEG, etc. Software like Adobe Acrobat, Microsoft Word, or other PDF editors may have options to export or save PDFs in different formats. **How do I password-protect a F9222I Datasheet User Guide PDF?** Most PDF editing software allows you to add password protection. In Adobe Acrobat, for instance, you can go to "File" -> "Properties" -> "Security" to set a password to restrict access or editing capabilities. Are there any free alternatives to Adobe Acrobat for working with PDFs? Yes, there are many free alternatives for working with PDFs, such as: LibreOffice: Offers PDF editing features. PDFsam: Allows splitting, merging, and editing PDFs. Foxit Reader: Provides basic PDF viewing and editing capabilities. How do I compress a PDF file? You can use online tools like Smallpdf, ILovePDF, or desktop software like Adobe Acrobat to compress PDF files without significant quality loss. Compression reduces the file size, making it easier to share and download. Can I fill out forms in a PDF file? Yes, most PDF viewers/editors like Adobe Acrobat, Preview (on Mac), or various online tools allow you to fill out forms in PDF files by selecting text fields and entering information. Are there any restrictions when working with PDFs? Some PDFs might have restrictions set by their creator,

such as password protection, editing restrictions, or print restrictions. Breaking these restrictions might require specific software or tools, which may or may not be legal depending on the circumstances and local laws.

Find F92221 Datasheet User Guide :

[kubasek dynamic business law 2nd edition](#)

kubota rc54 f19 parts manual illustrated list ipl

kubota l225 parts manual

[kubota b6000 tractor factory service repair manual](#)

[kubota kh 31 manual](#)

[kubota g4200 hst manual](#)

[kubota b60parts diagram](#)

[kubota l2500 operator manual](#)

[kubota l4400 hst service manual](#)

kubota m9000 m900dt m tractor workshop repair service manual

[kubota bx25 user manual](#)

[kubota maintenance manual](#)

kubota b7100 hst repair manual

[kubota bx operators manual](#)

kubota bt820 backhoe parts list manual

F92221 Datasheet User Guide :

3 easy tips on songwriting for beginners from the beatles - Feb 15 2023

web in this video i share 3 easy tips on songwriting for beginners that we can take from the beatles songwriting songwriting is definitely a creative act so whe

[downloadable free pdfs beatles songwriting secrets of h b this ground bre - Jul 08 2022](#)

web beatles songwriting secrets of h b this ground bre sessional papers sep 09 2022 stratopheric i e stratospheric ozone depletion apr 04 2022 index and list of the publications of the geological survey of alabama and the state oil and gas board may 17 2023 national fire codes aug 08 2022

[beatles songwriting secrets of h b this ground bre pivotid uvu - Jun 07 2022](#)

web beatles songwriting secrets of h b this ground bre beatles songwriting secrets of h b this ground bre 4 downloaded from pivotid uvu edu on 2022 04 04 by guest by vintage classics in celebration of her life and work with a new introduction by booker prize winning author marlon james soon after a local eccentric

download solutions beatles songwriting secrets of h b this ground bre - Sep 10 2022

web sep 26 2023 beatles songwriting secrets of h b this ground bre pdf eventually you will totally discover a other experience and completion by spending more cash still when reach you admit that you require to acquire those every needs later having significantly cash why dont you try to get something basic in the beginning thats something that

download free beatles songwriting secrets of h b this ground bre - Jan 14 2023

web beatles songwriting secrets of h b this ground bre a world of secrets apr 18 2021 a torrential rain beads down on a train carrying jonah chernov from the fortress prison in st petersburg to an uncertain future in paris a baby girl born to his condemned twin sister rests in the arms of marta

songwriting secrets of the beatles archive org - Oct 23 2023

web addeddate 2020 08 31 03 50 58 identifier songwriting secrets of the beatles identifier ark ark 13960 t7zm4h93t ocr abbyy finereader 11 0 extended ocr page number confidence

beatles songwriting secrets of h b this ground bre richie - Mar 16 2023

web beatles songwriting secrets of h b this ground bre just exercise just what we give below as with ease as review beatles songwriting secrets of h b this ground bre what you considering to read music and social movements ron eyerman 1998 02 28 building on their studies of sixties culture and theory of cognitive

beatles songwriting secrets of h b this ground bre copy - Mar 04 2022

web beatles songwriting secrets of h b this ground bre 1 beatles songwriting secrets of h b this ground bre the beatles in comics hearing harmony john lennon the life rock music 2 beatles songwriting secrets of h b this ground bre 2023 05 11 parterships of the 20th century author dominic pedler explores the chord sequences

beatles songwriting secrets of h b this ground bre pdf - Oct 11 2022

web oct 17 2023 beatles songwriting secrets of h b this ground bre 2 14 downloaded from uniport edu ng on october 17 2023 by guest events that have shaped his life step inside his recording studio to hear him discuss his music his acting career coming to america and his love of dogs and watch rick s what s victoria s secret music

pdf beatles songwriting secrets of h b this ground bre - Apr 17 2023

web beatles songwriting secrets of h b this ground bre the secrets of syndication mar 30 2020 abernathy s surgical secrets feb 28 2020 this was the first volume in the secrets series r it remains one of the most successful volumes in the series and is popular among medical students and practitioners

[the songwriting secrets of the beatles google books](#) - Sep 22 2023

web this ground breaking book sets out to explore the beatles songwriting techniques in a clear and readable style author dominic pedler explores the chord sequences melodies harmonies rhythms and structures of the beatles self penned songs while challenging readers to enhance their appreciation of the lyrics themselves with reference to the

beatles songwriting secrets of h b this ground bre pdf - Apr 05 2022

web the songwriting secrets of the beatles dolly parton songteller songs in the key of z lou reed recording the beatles the reminders beatles songwriting secrets of h b this ground bre downloaded from pitagoras provida net by guest clark johnson inside classic rock tracks hal leonard corporation paul mccartney and john lennon

beatles songwriting secrets of h b this ground bre - Dec 13 2022

web the beatles the beatles and sixties britain inside classic rock tracks new critical perspectives on the beatles psychedelic bubble gum beatles songwriting secrets of h b this ground bre downloaded from dev iainstitute org by guest richard roman the beatles complete chord songbook simon and schuster transcribed score a fitting

the songwriting secrets of the beatles google books - Jul 20 2023

web may 25 2010 this ground breaking book sets out to explore the beatles songwriting techniques in a clear and readable style it is aimed not only at musicians but anyone who has ever enjoyed the work of one of the most productive and successful songwriting partnerships of the 20th century

[the songwriting secrets of the beatles free download pdf](#) - Aug 21 2023

web jul 20 2017 the songwriting secrets of the beatles dominic pedler o m hbus pre ss contents information page acknowledgements introduction 1 tension resolution and the power of 2 the three chord trick and the blues 3 the minor pop chords 4 supercharging a song with secondary dominants 5

[free pdf download beatles songwriting secrets of h b this ground bre](#) - May 18 2023

web beatles songwriting secrets of h b this ground bre toby apr 26 2022 2 outlaw pete bruce springsteen 2014 11 04 outlaw pete a criminal since he was in diapers tries to settle down and raise a family after his youth full of misdeeds until his past sins catch giles martin on beatles 39 39 now and

beatles songwriting secrets of h b this ground bre pdf - Aug 09 2022

web the beatles complete chord songbook the routledge companion to music technology and education girls like us the cambridge companion to the singer songwriter dolly parton songteller beatles songwriting secrets of h b this ground bre downloaded from careers schellgames com by guest kendal santiago understanding popular

ebook beatles songwriting secrets of h b this ground bre - May 06 2022

web just invest little epoch to way in this on line message beatles songwriting secrets of h b this ground bre as capably as

review them wherever you are now beatles songwriting secrets workbook gareth simpson 2019 11 25 love playing guitar and the songs of the beatles this book will guide you through the ten top songwriting tricks used by the [beatles songwriting secrets of h b this ground bre pdf rev](#) - Jun 19 2023

web beatles songwriting secrets of h b this ground bre pdf when people should go to the books stores search opening by shop shelf by shelf it is in point of fact problematic this is why we allow the book compilations in this website it will no question ease you to see guide beatles songwriting secrets of h b this ground bre pdf as you such as

downloadable free pdfs beatles songwriting secrets of h b this ground bre - Nov 12 2022

web beatles songwriting secrets of h b this ground bre conversion of hb co 1 to a quickly reacting low quantum efficiency form oct 03 2021 the chromatography of hemoglobin may 30 2021 acts of the state of ohio oct 15 2022 narrative of h b brown who escaped from slavery enclosed in a box with remarks upon the remedy for slavery

[tuvturk.com.tr](#) - Apr 14 2022

tÜvtÜrk araç muayene hizmeti veren bir kuruluştur web sitesinde muayene öncesi gerekli belgeler randevu alma gezici istasyon ziyaret programı gibi bilgileri bulabilirsiniz araç muayenenizi kolay ve güvenli bir şekilde yaptırmak için tÜvtÜrk ü tercih edin

autopsia esame autoptico dr ssa gargiulo milano - Nov 21 2022

autopsia il medico legale e il riscontro diagnostico nell esame autoptico il riscontro diagnostico è regolato dalla legge n 83 del 1961 trattasi di una operazione anatomo patologica esame autoptico effettuata dal medico legale al fine di riscontrare al

autopsie medico legali tecnica e diagnostica pdf - Feb 10 2022

cronache autoptiche la vita di una società attraverso le autopsie dei suoi cittadini manuale atlante di tecnica autoptica forense la diagnostica anatomo patologica guida alla tecnica delle autopsie e alle ricerche di istologica patologica giornale di medicina legale autopsie medico legali tecnica e diagnostica manuale di medicina legale

autopsia in universo del corpo treccani - Dec 23 2022

autopsia dal greco $\alpha\upsilon\tau\omicron\varsigma$ stesso e $\omicron\psi\iota\varsigma$ vista designa le operazioni di ispezione esterna e di sezione del corpo eseguite sul cadavere dell uomo o dell animale impiegando appositi strumenti e avvalendosi di adeguate tecniche allo scopo di distinguere gli aspetti normali da quelli patologici e di stabilire attraverso questi ultimi le cau

autopsie medico legali tecnica e diagnostica libreria ibs - Oct 01 2023

note legali autopsie medico legali tecnica e diagnostica è un libro di roberto messina pubblicato da minerva medica acquista su ibs a 33 25

[otopsi nedir neden ve nasıl yapılır uzmandoktor.net](#) - May 16 2022

tümü otopsi ölen kişilerin vücutları üzerinde yapılan inceleme sonucunda ölüm nedeninin anlaşılmasına çalışılmasına denir bu

süreçte kişinin neden öldüğü konusunda bir şüphe yasal bir durum var ise o zaman otopsi sonuçları büyük önem kazanır İlk otopsi 1374 senesinde fransızlar tarafından yapılmıştır

autopsie medico legali tecnica e diagnostica 2022 - Aug 31 2023

autopsie medico legali tecnica e diagnostica giurisprudenza italiana annali universali di medicina archivio di antropologia criminale psichiatria e medicina legale organo ufficiale della associazione italiana di medicina legale e delle assicurazioni index catalogue of the library of the surgeon general s office united states army

adli otopsi raporu nedir nasıl yapılır medikal akademi - Jul 18 2022

jan 25 2014 otopsi kararı adli olaylarda adli tahkikat ve cesedin dış muayenesi ile yetinilerek kesin ölüm nedeninin saptanabilmesi çok sınırlı birkaç durum dışında bilimsel olarak mümkün değildir adli olgu etiketi almış ölümlerde birden fazla kişinin değişik sorumlulukları bulunabilir bu koşullarda tek aydınlatıcı gerçekleri ortaya koyucu spekülatif düşüncelerin

autopsie medico legali tecnica e diagnostica 2023 - May 28 2023

2 autopsie medico legali tecnica e diagnostica 2022 01 21 index catalogue of the library of the surgeon general s office united states army la riforma medica il digesto italiano la cassazione unica periodico giuridico di roma parte penale manuale di criminologia compendio di medicina legale

adli otopsi türkiye hukuk - Jun 16 2022

adli otopsi ise adliyeye intikal eden ve adli yönü bulunan olaylar nedeniyle yapılır kısaca ifade etmek gerekirse adli otopsinin temel amacı ölüm nedeninin saptanmasıdır İnceleme konumuz olan adli otopsi 5271 sayılı ceza mahkemesi kanunu nun 87

esame autoptico autopsia e riscontro diagnostico studio legale chiarini - Jan 24 2023

in termini giuridici e medico legali l attività autoptica contempla in realtà due diverse figure che conservano la propria autonomia concettuale e pratica anche se vengono talvolta confuse e o sovrapposte il riscontro diagnostico previsto dagli artt 37 ss del regolamento di polizia mortuaria approvato con d p r 285 1990

autopsie medico legali tecnica e diagnostica amazon it - Mar 26 2023

compra autopsie medico legali tecnica e diagnostica spedizione gratuita su ordini idonei

autopsie medico legali tecnica e diagnostica axon - Nov 09 2021

il volume si chiude con un capitolo sui più recenti contributi offerti dalla entomologia e dalla limnologia alla risoluzione delle problematiche medico legali indice natura e normativa del riscontro diagnostico e dell autopsia giudiziaria autopsia riscontro diagnostico necroscopia

autopsie medico legali tecnica e diagnostica 2022 - Sep 19 2022

cronache autoptiche la vita di una società attraverso le autopsie dei suoi cittadini trattato di medicina legale archivio di psichiatria neuropatologia antropologia criminale e medicina legale la tecnica delle autopsie cliniche e giudiziarie autopsie

medico legali tecnica e diagnostica downloaded from testapi mobal com by guest justice petersen

İstanbul garage sefaköy oto ekspertiz İstanbul oto ekspertiz - Jan 12 2022

emrullah efendi cad no 12 g sefaköy küçükçekmece İstanbul yeni petrol ofisi karşısı 0212 598 98 72 0532 799 13 48 0535
605 53 02 motor teşhisi kaputun altındaki her şeyin gerektiği gibi çalıştığından emin olmanın mükemmel bir yoludur sonuçta
motorunuzun çalışmasını sağlayan şey birçok bileşenin her

autopsie medico legali tecnica e diagnostica messina r - Jun 28 2023

questo manuale di tecnica autoptica con fondamenti di tanatologia anatomia patologica e patologia forense si propone come
testo di riferimento per gli specialisti che intendono praticare le autopsie medico legali e la relativa diagnostica per
anatomen

autopsie medico legali tecnica e diagnostica book - Jul 30 2023

oct 16 2023 autopsie medico legali tecnica e diagnostica bollettino ufficiale 2 atti di amministrazione italia ministero della
pubblica istruzione 1924 compendio di medicina legale e giurisprudenza medica ziino giuseppe 1906 manuale di medicina
legale fritz strassmann 1901 archivio di psichiatria neuropatologia antropologia criminale e medicina

tecnica delle autopsie e diagnostica necroscopica - Aug 19 2022

al termine del modulo lo studente conosce le tecniche necroscopiche le metodologie di diagnostica anatomo patologica e i
metodi di campionamento e d indagine utili a stabilire la causa della morte di un animale è in grado di raggiungere un
interpretazione epicritica contenuti definizione scopi e limiti delle autopsie tanatologia

autopsie medico legali tecnica e diagnostica libreria universitaria - Apr 26 2023

acquista il bestseller autopsie medico legali tecnica e diagnostica 9788877116949 con spedizione gratuita su libreria
universitaria un libro di argomenti medico legali da non perdere

autopsie medico legali tecnica e diagnostica messina r - Dec 11 2021

questo manuale di tecnica autoptica con fondamenti di tanatologia anatomia patologica e patologia forense si propone come
testo di riferimento per gli specialisti che intendono praticare le autopsie medico legali e la relativa diagnostica per
anatomen

autopsie medico legali tecnica e diagnostica - Feb 22 2023

questo manuale di tecnica autoptica con fondamenti di tanatologia anatomia patologica e patologia forense si propone come
testo di riferimento per gli specialisti che intendono praticare le autopsie medico legali e la relativa diagnostica per
anatomen

autopsie medico legali tecnica e diagnostica - Mar 14 2022

easy you simply klick autopsie medico legali tecnica e diagnostica arrange obtain link on this portal also you will forwarded

to the standard booking guise after the free registration you will be able to download the book in 4 format pdf formatted 8 5 x all pages epub reformatted especially for book readers mobi for kindle which was converted from the epub file word

autopsie medico legali tecnica e diagnostica copy - Oct 21 2022

autopsie medico legali tecnica e diagnostica bollettino ufficiale del ministero di grazia e giustizia e dei culti compendio di medicina legale e giurisprudenza medica giurisprudenza italiana index catalogue of the library of the surgeon general s office united states army autopsie medico legali tecnica e diagnostica downloaded from data

infield positioning for baseball situations pro baseball insider - May 04 2023

web infield positioning for baseball situations learn the why when and where of infield positioning including double play depth standard depth infield in and no doubles on normal depth double play depth infield in no doubles

fieldposition java se 11 jdk 11 oracle - Feb 01 2023

web fieldposition is a simple class used by format and its subclasses to identify fields in formatted output fields can be identified in two ways by an integer constant whose names typically end with field the constants are defined in the various subclasses of format

field positon by inning wrbb neu - Dec 31 2022

web 2 field positon by inning 2020 10 28 champions at the height of the great depression the author provides a game by game season narrative with detailed depictions of each fall classic contest biographical overviews of the giants primary players and an analysis of the first all star game are included when the cubs won it all u of nebraska press

field posit10ns by inning result oppone at - Sep 08 2023

web field posit10ns by inning result oppone at fast pitch created date 9 7 2023 5 04 48 am

baseball softball game sheet - Apr 03 2023

web until the positions have been assigned they will remain yellow you will be alerted if you assign the same player to another position during the same inning clear everything will do just that so be warned it is there so you can start over change field setup allows you to display only those positions you plan to use for your game

field positions by inning sportsengine - Oct 09 2023

web field positions by inning 1 2 3 4 1 5 1 2 6 2 3 7 3 4 4 5 5 6 6 7 7 1 1 2 2 3 3 4 4 5 5 6 6 7 7 1 2 1 3 2 4 1 3 5 2 4 6 3 5 7 4 6 5 7 6 7 designated hitter

33 printable baseball lineup templates free download - Aug 07 2023

web this is a template which lists all of the positions their locations and the best places for the players to play on the field for younger players they understand instructions better when given visual aids such as this template

field positon by inning download only - Jun 05 2023

web field position by inning the rise of the latin american baseball leagues 1947-1961 mar 10 2021 major league baseball today would be unrecognizable without the large number of latin american players and managers filling its ranks their strong influence on the sport can trace its beginnings to professional leagues established south

free baseball roster and lineup template vertex42 - Jun 24 2022

web create and print an auto rotating baseball lineup with microsoft excel by jon wittwer and brent weight vertex42 s new baseball roster template was designed to help new coaches assistant coaches and team parents get and stay organized during the season

infield positioning for baseball situations conceptdraw - Feb 18 2022

web infield positioning for baseball situations baseball is very interesting and popular sport game as each sport game it includes large quantity of game situations positions and rules if you are baseball coach or fan you need convenient and useful software to design the baseball related diagrams in this case conceptdraw diagram diagramming and

16 free baseball lineup templates word pdf - Mar 22 2022

web a baseball lineup template is a model document used by coaches to fill in the details of their team s lineup for an upcoming game it usually includes a list of coaches starters non starters and pitchers

field position by inning uniport edu ng - Nov 29 2022

web sep 12 2023 field position by inning 1 1 downloaded from uniport edu ng on september 12 2023 by guest field position by inning when people should go to the ebook stores search establishment by shop shelf by shelf it is in point of fact problematic this is why we present the books compilations in this website it will unquestionably

free youth baseball fielding lineups freebaseballlineups com - Oct 29 2022

web rotate each 1 2 or 3 innings edit any lineup and more use any desktop or mobile browser or our free app join for just 9 95 for unlimited use through april 2024 click for details and free trial for a free rotation just fill in your first inning fielders

the designated hitter hasn t always lived up to its title after 2 full - Sep 27 2022

web 1 day ago file los angeles angels shohei ohtani walks in the dugout during the ninth inning of the team s baseball game against the detroit tigers in anaheim calif sept 16 2023 ohtani cody bellinger jordan montgomery blake snell and aaron nola were among the 130 players who became free agents thursday nov 2 as baseball s business

field positions by inning amazon web services - Jul 06 2023

web field positions by inning 1 2 3 4 1 5 1 author judi allen created date 6 2 2022 8 38 52 pm

field position definition of field position by the free dictionary - Aug 27 2022

web before his right field stint with the red sox victorino was a three time gold glove winner with the philadelphia phillies at the center field position mlb news shane victorino takes pride of his defense gold glove winner again

30 free printable baseball lineup templates word excel - Apr 22 2022

web the center field is one of the most important positions the player signed to this position must be on the same level as the left outfielder or the third baseman confidence is one of the key characteristics to look for when assigning this position to a player

field position by inning stage gapinc - Jul 26 2022

web 2 field position by inning 2022 04 28 with methods of management and leadership mcfarland in v 1 8 the final number consists of the commencement annual teaching statistics using baseball taylor trade publishing provides color photographs and miscellaneous information about some of the fascinating individuals lore facts

20 printable baseball lineup templates excel word - May 24 2022

web for each inning coaches must have a baseball lineup template along with a baseball position chart these documents save both the player and the coach from confusion it saves a lot of time and players can check the chart themselves

innings played inn glossary mlb com - Mar 02 2023

web definition innings played is a defensive statistic determined by counting the number of outs during which a player is in the field and dividing by three innings played is often used by voters to delineate players who have played enough at a given position to consider merit for defensive awards specifically gold gloves however it is not