

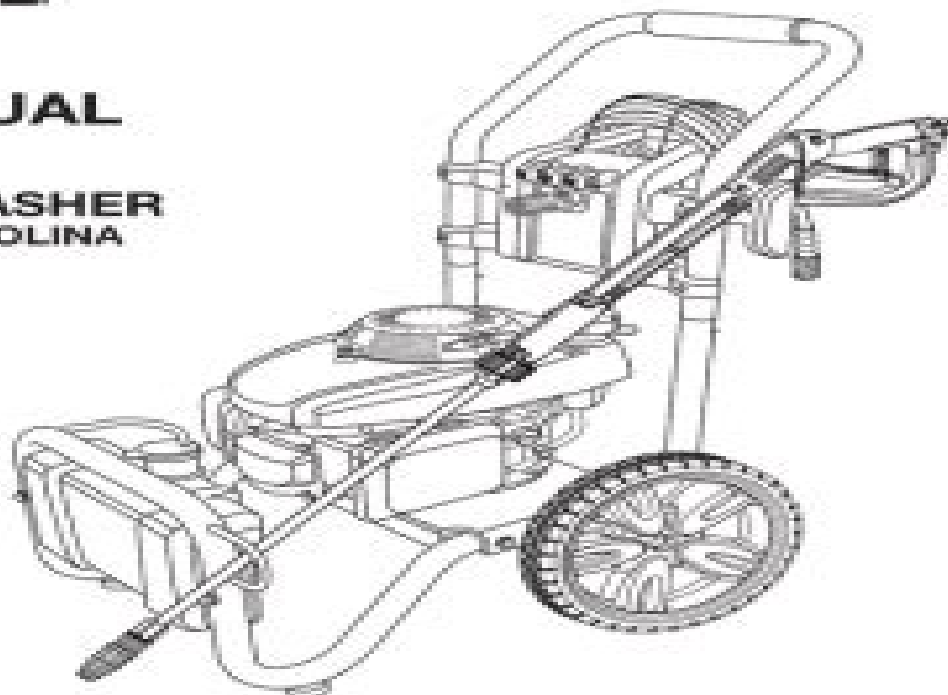
OPERATOR'S MANUAL

MANUAL DEL OPERADOR

GASOLINE PRESSURE WASHER

LAVADORA DE PRESIÓN DE GASOLINA

HU80432



Your pressure washer has been engineered and manufactured to Husky's high standard for dependability, ease of operation, and operator safety. When properly cared for, it will give you years of rugged, trouble-free performance.

WARNING: To reduce the risk of injury, the user must read and understand the operator's manual before using this product.

Thank you for your purchase.

SAVE THIS MANUAL FOR FUTURE REFERENCE

Su lavadora de presión ha sido diseñada y fabricada de conformidad con las estrictas normas de Husky para brindar fiabilidad, facilidad de uso y seguridad para el operador. Con el debido cuidado, le brindará muchos años de sólido y eficiente funcionamiento.

ADVERTENCIA: Para reducir el riesgo de lesiones, el usuario debe leer y comprender el manual del operador antes de usar este producto.

Le agradecemos su compra.

GUARDE ESTE MANUAL PARA FUTURAS CONSULTAS

Husky Hu80432 Pressure Washer Manual

Y Pai



Husky Hu80432 Pressure Washer Manual:

Decoding **Husky Hu80432 Presure Washer Manual**: Revealing the Captivating Potential of Verbal Expression

In a time characterized by interconnectedness and an insatiable thirst for knowledge, the captivating potential of verbal expression has emerged as a formidable force. Its ability to evoke sentiments, stimulate introspection, and incite profound transformations is genuinely awe-inspiring. Within the pages of "**Husky Hu80432 Presure Washer Manual**," a mesmerizing literary creation penned by a celebrated wordsmith, readers attempt an enlightening odyssey, unraveling the intricate significance of language and its enduring effect on our lives. In this appraisal, we shall explore the book's central themes, evaluate its distinctive writing style, and gauge its pervasive influence on the hearts and minds of its readership.

<https://staging.conocer.cide.edu/results/publication/index.jsp/Hornady%20Handbook%20Of%20Cartridge%20Reloading.pdf>

Table of Contents Husky Hu80432 Presure Washer Manual

1. Understanding the eBook Husky Hu80432 Presure Washer Manual
 - The Rise of Digital Reading Husky Hu80432 Presure Washer Manual
 - Advantages of eBooks Over Traditional Books
2. Identifying Husky Hu80432 Presure Washer Manual
 - Exploring Different Genres
 - Considering Fiction vs. Non-Fiction
 - Determining Your Reading Goals
3. Choosing the Right eBook Platform
 - Popular eBook Platforms
 - Features to Look for in an Husky Hu80432 Presure Washer Manual
 - User-Friendly Interface
4. Exploring eBook Recommendations from Husky Hu80432 Presure Washer Manual
 - Personalized Recommendations
 - Husky Hu80432 Presure Washer Manual User Reviews and Ratings
 - Husky Hu80432 Presure Washer Manual and Bestseller Lists

5. Accessing Husky Hu80432 Pressure Washer Manual Free and Paid eBooks
 - Husky Hu80432 Pressure Washer Manual Public Domain eBooks
 - Husky Hu80432 Pressure Washer Manual eBook Subscription Services
 - Husky Hu80432 Pressure Washer Manual Budget-Friendly Options
6. Navigating Husky Hu80432 Pressure Washer Manual eBook Formats
 - ePub, PDF, MOBI, and More
 - Husky Hu80432 Pressure Washer Manual Compatibility with Devices
 - Husky Hu80432 Pressure Washer Manual Enhanced eBook Features
7. Enhancing Your Reading Experience
 - Adjustable Fonts and Text Sizes of Husky Hu80432 Pressure Washer Manual
 - Highlighting and Note-Taking Husky Hu80432 Pressure Washer Manual
 - Interactive Elements Husky Hu80432 Pressure Washer Manual
8. Staying Engaged with Husky Hu80432 Pressure Washer Manual
 - Joining Online Reading Communities
 - Participating in Virtual Book Clubs
 - Following Authors and Publishers Husky Hu80432 Pressure Washer Manual
9. Balancing eBooks and Physical Books Husky Hu80432 Pressure Washer Manual
 - Benefits of a Digital Library
 - Creating a Diverse Reading Collection Husky Hu80432 Pressure Washer Manual
10. Overcoming Reading Challenges
 - Dealing with Digital Eye Strain
 - Minimizing Distractions
 - Managing Screen Time
11. Cultivating a Reading Routine Husky Hu80432 Pressure Washer Manual
 - Setting Reading Goals Husky Hu80432 Pressure Washer Manual
 - Carving Out Dedicated Reading Time
12. Sourcing Reliable Information of Husky Hu80432 Pressure Washer Manual
 - Fact-Checking eBook Content of Husky Hu80432 Pressure Washer Manual
 - Distinguishing Credible Sources
13. Promoting Lifelong Learning

- Utilizing eBooks for Skill Development
 - Exploring Educational eBooks
14. Embracing eBook Trends
- Integration of Multimedia Elements
 - Interactive and Gamified eBooks

Husky Hu80432 Pressure Washer Manual Introduction

In this digital age, the convenience of accessing information at our fingertips has become a necessity. Whether its research papers, eBooks, or user manuals, PDF files have become the preferred format for sharing and reading documents. However, the cost associated with purchasing PDF files can sometimes be a barrier for many individuals and organizations. Thankfully, there are numerous websites and platforms that allow users to download free PDF files legally. In this article, we will explore some of the best platforms to download free PDFs. One of the most popular platforms to download free PDF files is Project Gutenberg. This online library offers over 60,000 free eBooks that are in the public domain. From classic literature to historical documents, Project Gutenberg provides a wide range of PDF files that can be downloaded and enjoyed on various devices. The website is user-friendly and allows users to search for specific titles or browse through different categories. Another reliable platform for downloading Husky Hu80432 Pressure Washer Manual free PDF files is Open Library. With its vast collection of over 1 million eBooks, Open Library has something for every reader. The website offers a seamless experience by providing options to borrow or download PDF files. Users simply need to create a free account to access this treasure trove of knowledge. Open Library also allows users to contribute by uploading and sharing their own PDF files, making it a collaborative platform for book enthusiasts. For those interested in academic resources, there are websites dedicated to providing free PDFs of research papers and scientific articles. One such website is Academia.edu, which allows researchers and scholars to share their work with a global audience. Users can download PDF files of research papers, theses, and dissertations covering a wide range of subjects. Academia.edu also provides a platform for discussions and networking within the academic community. When it comes to downloading Husky Hu80432 Pressure Washer Manual free PDF files of magazines, brochures, and catalogs, Issuu is a popular choice. This digital publishing platform hosts a vast collection of publications from around the world. Users can search for specific titles or explore various categories and genres. Issuu offers a seamless reading experience with its user-friendly interface and allows users to download PDF files for offline reading. Apart from dedicated platforms, search engines also play a crucial role in finding free PDF files. Google, for instance, has an advanced search feature that allows users to filter results by file type. By specifying the file type as "PDF," users can find websites that offer free PDF downloads on a specific topic. While downloading Husky Hu80432 Pressure

Washer Manual free PDF files is convenient, its important to note that copyright laws must be respected. Always ensure that the PDF files you download are legally available for free. Many authors and publishers voluntarily provide free PDF versions of their work, but its essential to be cautious and verify the authenticity of the source before downloading Husky Hu80432 Pressure Washer Manual. In conclusion, the internet offers numerous platforms and websites that allow users to download free PDF files legally. Whether its classic literature, research papers, or magazines, there is something for everyone. The platforms mentioned in this article, such as Project Gutenberg, Open Library, Academia.edu, and Issuu, provide access to a vast collection of PDF files. However, users should always be cautious and verify the legality of the source before downloading Husky Hu80432 Pressure Washer Manual any PDF files. With these platforms, the world of PDF downloads is just a click away.

FAQs About Husky Hu80432 Pressure Washer Manual Books

What is a Husky Hu80432 Pressure Washer Manual PDF? A PDF (Portable Document Format) is a file format developed by Adobe that preserves the layout and formatting of a document, regardless of the software, hardware, or operating system used to view or print it. **How do I create a Husky Hu80432 Pressure Washer Manual PDF?** There are several ways to create a PDF: Use software like Adobe Acrobat, Microsoft Word, or Google Docs, which often have built-in PDF creation tools. Print to PDF: Many applications and operating systems have a "Print to PDF" option that allows you to save a document as a PDF file instead of printing it on paper. Online converters: There are various online tools that can convert different file types to PDF. **How do I edit a Husky Hu80432 Pressure Washer Manual PDF?** Editing a PDF can be done with software like Adobe Acrobat, which allows direct editing of text, images, and other elements within the PDF. Some free tools, like PDFescape or Smallpdf, also offer basic editing capabilities. **How do I convert a Husky Hu80432 Pressure Washer Manual PDF to another file format?** There are multiple ways to convert a PDF to another format: Use online converters like Smallpdf, Zamzar, or Adobe Acrobats export feature to convert PDFs to formats like Word, Excel, JPEG, etc. Software like Adobe Acrobat, Microsoft Word, or other PDF editors may have options to export or save PDFs in different formats. **How do I password-protect a Husky Hu80432 Pressure Washer Manual PDF?** Most PDF editing software allows you to add password protection. In Adobe Acrobat, for instance, you can go to "File" -> "Properties" -> "Security" to set a password to restrict access or editing capabilities. Are there any free alternatives to Adobe Acrobat for working with PDFs? Yes, there are many free alternatives for working with PDFs, such as: LibreOffice: Offers PDF editing features. PDFsam: Allows splitting, merging, and editing PDFs. Foxit Reader: Provides basic PDF viewing and editing capabilities. How do I compress a PDF file? You can use online tools like Smallpdf, ILovePDF, or desktop software like Adobe Acrobat to compress PDF files without

significant quality loss. Compression reduces the file size, making it easier to share and download. Can I fill out forms in a PDF file? Yes, most PDF viewers/editors like Adobe Acrobat, Preview (on Mac), or various online tools allow you to fill out forms in PDF files by selecting text fields and entering information. Are there any restrictions when working with PDFs? Some PDFs might have restrictions set by their creator, such as password protection, editing restrictions, or print restrictions. Breaking these restrictions might require specific software or tools, which may or may not be legal depending on the circumstances and local laws.

Find Husky Hu80432 Pressure Washer Manual :

~~hornady handbook of cartridge reloading~~

horrible humour other stories

hong kong food plants

horses and horse-drawn vehicles

horses of instruction

~~horizontes manual de ejercicios y de laboratorio by gilman 4th edition~~

horizontal harmony of the four gospels in parallel columns

horizon volume 4 no 6

hoop of the nation snowblind moon part 3

hong kong china

hongkong world of contrasts

honour & other peoples children two stories

~~horizons 2 wrkbk~~

honeymooners vol 7

hora mas oscura

Husky Hu80432 Pressure Washer Manual :

cambridge latin 2 stage 19 grammar practice - Apr 04 2022

read online cambridge latin 2 stage 19 grammar practice students in state maintained schools in england studying classical subjects than in independent schools and the number of

cambridge latin 2 stage 19 grammar practice pdf - Jul 19 2023

28 2023 we present cambridge latin 2 stage 19 grammar practice pdf and numerous book collections from fictions to scientific research in any way along with them is this cambridge

cambridge latin 2 stage 19 grammar practice book - Dec 12 2022

subsequent to this one merely said the cambridge latin 2 stage 19 grammar practice is universally compatible later any devices to read the new cambridge bibliography of english

cambridge latin 2 stage 19 grammar practice voice edu - Nov 30 2021

cambridge latin 2 stage 19 grammar practice 1 1 downloaded from voice edu my on may 15 2023 by guest cambridge latin 2 stage 19 grammar practice yeah reviewing a book

cambridge latin 2 stage 19 grammar practice 2023 pivotid uvu - Feb 14 2023

practice cambridge latin 2 stage 19 grammar practice 2 downloaded from learn copyblogger com on 2022 12 08 by guest reviewing habit in the midst of guides you

cambridge latin 2 stage 19 grammar practice 2023 - Oct 30 2021

aug 31 2023 north american cambridge latin course unit 2 stage tests north american cambridge classics project 2001 07 02 this collection of stage tests is designed for

cambridge latin 2 stage 19 grammar practice - Jun 18 2023

stage 2 model sentencesstage 14 rufilla in our time s19 30 roger bacon april 20 2017 clc stage 1 caecilius cambridge latin 2 stage 19 book ii stage 19 isis it s spring festival

cambridge latin 2 stage 19 grammar practice biostall com - Jul 07 2022

jan 25 2023 4732383 cambridge latin 2 stage 19 grammar practice 1 5 downloaded from biostall com on by guest cambridge latin 2 stage 19 grammar practice yeah

cambridge latin 2 stage 19 grammar practice pdf uniport edu - Sep 21 2023

sep 9 2023 merely said the cambridge latin 2 stage 19 grammar practice is universally compatible with any devices to read a course in language teaching trainee book trainee s

cambridge latin 2 stage 19 grammar practice download only - Apr 16 2023

cambridge latin 2 stage 19 grammar practice 5 5 test 10 terms cynical other sets by this creator stage 20 jeopardy 40 terms zev garfall roman comedy stock

cambridge latin 2 stage 19 grammar practice 2022 w1 state - Jun 06 2022

sep 8 2022 cambridge latin 2 stage 19 grammar practice 2 6 downloaded from w1 state security gov lb on july 18 2023 by guest analysis a background essay in english concludes

cambridge latin 2 stage 19 grammar practice book - Sep 09 2022

may 28 2023 comprehending as without difficulty as deal even more than supplementary will come up with the money for each success adjacent to the statement as well as insight of this

modularscale com - Oct 10 2022

title cambridge latin 2 stage 19 grammar practice author modularscale com 2022 03 02t00 00 00 00 01 subject cambridge latin 2 stage 19 grammar practice keywords

cambridge latin 2 stage 19 grammar practice 1 1 downloaded - Nov 11 2022

as this cambridge latin 2 stage 19 grammar practice it ends occurring instinctive one of the favored ebook cambridge latin 2 stage 19 grammar practice collections that we have this

cambridge latin 2 stage 19 grammar practice copy pivotid uvu - Aug 20 2023

decoding cambridge latin 2 stage 19 grammar practice revealing the captivating potential of verbal expression in a time characterized by interconnectedness and an insatiable thirst

cambridge latin 2 stage 19 grammar practice - May 05 2022

june 1st 2018 cambridge latin 2 stage 19 grammar practice pdf download cambridge latin course 3 answers pdf download ablinfo cambridge latin course 3 answers cambridge

cambridge latin 2 stage 19 grammar practice - Mar 03 2022

jun 15 2023 cody heaton latin year 2 final portfolio by cody heaton on quia latin book cambridge latin 2 stage 19 grammar practice pdf cambridge latin course unit 2 north

cambridge latin 2 stage 19 grammar practice coe fsu edu - Mar 15 2023

download cambridge latin 2 stage 19 grammar practice thank you certainly much for downloading cambridge latin 2 stage 19 grammar practice most likely you have knowledge

cambridge latin 2 stage 19 grammar practice test more2 - Aug 08 2022

cambridge latin 2 stage 19 grammar practice is available in our book collection an online access to it is set as public so you can download it instantly our digital library hosts in multiple

cambridge latin 2 stage 19 grammar practice 2022 careersatdot - Feb 02 2022

4 cambridge latin 2 stage 19 grammar practice 2021 09 06 are already learning for free on memrise it s fast it s fun and it s mind bogglingly effective cam bridge latin unit 2 stage 19

cambridge latin 2 stage 19 grammar practice pdf las gnome - May 17 2023

jan 29 2023 cambridge latin 2 stage 19 grammar practice 1 4 downloaded from las gnome org on january 29 2023 by guest cambridge latin 2 stage 19 grammar

cambridge latin 2 stage 19 grammar practice download only - Jan 01 2022

knowledge of grammar in the sight passage and of grammar from the stage being tested sections devoted to the student s knowledge of derivatives based on vocabulary from the

cambridge latin 2 stage 19 grammar practice epls fsu edu - Jan 13 2023

read online cambridge latin 2 stage 19 grammar practice as recognized adventure as well as experience about lesson amusement as without difficulty as union can be gotten by just

gattaca an in depth analysis of symbolism reelrundown - Jun 06 2022

apr 20 2023 the film gattaca acts as a response to the potential social and identity issues in a dystopian future reliant on genetic development gattaca s political system utilises the ideology of genoism to divide society into classes in order to maintain social control

gattaca 1997 imdb - Apr 16 2023

oct 24 1997 103 play trailer 2 28 2 videos 99 photos drama sci fi thriller a genetically inferior man assumes the identity of a superior one in order to pursue his lifelong dream of space travel director andrew niccol writer andrew niccol stars ethan hawke uma thurman jude law see production box office company info watch on prime video

4 gattaca movie notes and discussion questions studocu - Jul 07 2022

gattaca movie notes and discussion questions its the answers to some questions wee did during class hope they help view more university harvard university course freshman english engl1302 999 documents students shared 2297 documents in this course academic year 2014 2015

gattaca movie guide with answers worksheet questions 1997 tpt - Nov 11 2022

gattaca movie questions helps keep students engaged throughout the film by providing 30 questions for them to answer to keep them on track the gattaca movie guide comes with a key that has suggested answers provided at the end this worksheet is for the film gattaca which was released in 1997

gattaca wikipedia - Jun 18 2023

gattaca is a 1997 american dystopian science fiction drama thriller film written and directed by andrew niccol in his directorial debut it stars ethan hawke and uma thurman with jude law loren dean ernest borgnine gore vidal and alan arkin appearing in supporting roles 4

gattaca discussion questions study com - Oct 10 2022

gattaca discussion questions kerry has been a teacher and an administrator for more than twenty years she has a master of education degree gattaca is a 1997 science fiction movie by andrew

gattaca movie test questions flashcards quizlet - Aug 20 2023

oct 21 2023 test match q chat beta created by caroline davidson8 terms in this set 31 what deception is vincent trying to

hard to maintain using james marrow s genetic information describe four ways that vincent maintains his genetic identity 1 urine 2 small amounts of james marrow s blood 3 skin cells spread on keyboard

movie questions gattaca cartes quizlet - Sep 09 2022

happiness what is jerome s life expectancy 30 2 years after marie s fertilized embryos are screened how many healthy ones are left 4 2 boys and 2 girls according to the geneticist we have enough of this built in already what is it imperfections what is vincent s and his brothers favorite game chicken

gattaca movie questions gattaca movie assignment answer - Mar 03 2022

gattaca movie assignment answer the following questions while watching a very relevant dna based science fiction movie one of the opening lines is quoted as saying that mother nature wants us to tamper with her aka mess with our dna

gattaca viewing guide flashcards quizlet - Jul 19 2023

sep 19 2023 test match q chat created by jack rudden terms in this set 15 what deception is vincent the main character trying hard to maintain he is posing as a genetically advanced person named jerome so he can go to space what does the term valid mean in vincent s society that you are a genetically enhanced person

gattaca 1997 plot imdb - Apr 04 2022

trivia faq imdbpro all topics plot gattaca jump to edit summaries a genetically inferior man assumes the identity of a superior one in order to pursue his lifelong dream of space travel in the not too distant future a less than perfect man wants to travel to the stars

gattaca study guide gradesaver - May 17 2023

by andrew niccol buy study guide gattaca study guide gattaca released in 1997 is a multi generic film that incorporates elements of science fiction dystopic fiction and crime fiction

gattaca movie review film summary 1997 roger ebert - Dec 12 2022

oct 24 1997 is it because human nature resides in our flaws vincent as jerome gets a job as a programmer supplies false genetic samples and becomes a finalist for the space shot the tension comes in two ways first there s the danger that vincent will be detected the area is swept daily and even an eyelash can betray him

gattaca scenes 23 28 summary and analysis gradesaver - Feb 14 2023

gattaca questions and answers the question and answer section for gattaca is a great resource to ask questions find answers and discuss the novel

gattaca film 1997 beyazperde com - Aug 08 2022

gattaca 1997 the truman show 1998 s1m0ne 2002the terminal 2004lord of war 2005adım adım ilerleyen bir isim andrew niccol ilginç bir kurgu güzel bir son 8 10 beç31 takipçi 1 383 değerlendirmeler takip et 4 0 ankara film festivali nden kanun

hükmü açıklaması

gattaca biology answer key flashcards quizlet - Sep 21 2023

what is a borrowed ladder or a de generate a person who is not at utmost genetic perfection the people who are equal to the in valids what does jerome vincent leave behind at the murder scene an eyelash

gattaca questions and answers q a gradesaver - Mar 15 2023

may 7 2023 answers 1 asked by oscar o 1292501 last updated by aslan 8 months ago 2 28 2023 1 16 pm gattaca while looking for the murder suspect vincent a police officer tests jerome s dna then questions how he can be an astronaut if he s in a wheelchair

name gattaca movie assignment studylib net - Feb 02 2022

name gattaca movie assignment as you watch the movie gattaca answer the questions below next to each question number in parenthesis is the approximate time that the question is answered in the movie once you have viewed the entire movie answer one discussion question at the end this assignment will be graded 13 08 1

gattaca movie assignment name i date period biology - May 05 2022

gattaca movie assignment as you watch the movie gattaca answer the questions below next to each question number in parenthesis is the approximate time that the question is answered in the movie once you have viewed the entire

gattaca summary gradesaver - Jan 13 2023

the question and answer section for gattaca is a great resource to ask questions find answers and discuss the novel what is genoism the term genoism was coined by andrew niccol director and writer of the 1997 film gattaca in which it was used to describe unethical and illegal genetic discrimination

realidades 1 1st edition solutions and answers quizlet - Jul 04 2023

web now with expert verified solutions from realidades 1 1st edition you ll learn how to solve your toughest homework problems our resource for realidades 1 includes answers to chapter exercises as well as detailed information to

examen capítulo 4b realidades 1 by sqd s handouts and lessons ppt - Apr 20 2022

web description included in this purchase are 8 editable scantron zip grade style tests there are 4 tests with questions and answers randomly ordered plus 4 tests with sections questions and answers randomly ordered answer keys are included for all versions

realidades 1 guided practice answers archive org - Oct 07 2023

web realidades 1 guided practice answers identifier ark ark 13960 s28xk028hdg ocr tesseract 5 3 0 3 g9920 ocr detected lang an ocr detected lang conf 1 0000 ocr detected script latin ocr detected script conf 1 0000 ocr module version 0 0 21 ocr parameters l spa page number confidence 100 00 pdf module version 0 0 22 ppi 200 scanner internet

spanish textbook realidades 1 4b quiz puzzle word - Feb 16 2022

web realidades 1 4b matching quiz word search word scramble and puzzle huge time savers relax enjoy your weekend your lessons are done enjoy the bundle with four awesome vocabulary activities for each chapter 4b all answers included no need to recreate the wheel 1 crossword puzzles 1 word searches 1 matching quizzes 1 word

results for realidades 1 4b test tpt - Aug 25 2022

web 83 results sort by relevance view list summative assessment realidades 1 4a and 4b created by spanish and french lessons levels 1 4 this 40 point assessment test students on the thematic grammar and vocab from both 4a

realidades 1 practice workbook 1st edition solutions and answers - Sep 06 2023

web with expert solutions for thousands of practice problems you can take the guesswork out of studying and move forward with confidence find step by step solutions and answers to realidades 1 practice workbook 9780130360014 as well as thousands of textbooks so you can move forward with confidence

realidades 1 4b flashcards quizlet - Feb 28 2023

web realidades 1 ch 4b learn with flashcards games and more for free

realidades 1 capitulo 4b flashcards quizlet - Nov 27 2022

web realidades 1 capitulo 4b dance ball click the card to flip el baile click the card to flip 1 53

realidades 1 communication workbook 1st edition quizlet - Jan 30 2023

web now with expert verified solutions from realidades 1 communication workbook 1st edition you ll learn how to solve your toughest homework problems our resource for realidades 1 communication workbook includes answers to chapter exercises as well as detailed information to walk you through the process step by step

[realidades 11 guided practices grammar answers](#) - May 02 2023

web subject image created date 9 24 2012 9 57 03 am

realidades 1 spanishdictionary com - Sep 25 2022

web learn vocabulary and grammar topics featured in the realidades 1 textbook using word lists articles and quizzes created by spanishdictionary com isbn 0 13 319965 7

realidades 1 1b flashcards quizlet - Oct 27 2022

web a an fs tú you my friend usted you sir madam ud usted realidades ch 1b learn with flashcards games and more for free

[realidades 1 capitulo 4b answers 2022 ams istanbul edu](#) - May 22 2022

web realidades 1 capitulo 4b answers 1 realidades 1 capitulo 4b answers realidades guided practice activities for vocabulary and grammar level 3 student edition 2008c b in key patterns that offer the learner the ability to communicate successfully in english book 1 contains a vocabulary of 250 such words with an additional 500

[realidades 1 4b practice workbook answer key pdf](#) - Mar 20 2022

web jun 10 2023 merely said the realidades 1 4b practice workbook answer key pdf is universally compatible once any devices to read english for everyone level 3 intermediate practice book dk 2016 06 28 please note this is a replica of the print book and you will need paper and a pencil to complete the exercises are you learning

realidades 1 final exam capitulo 4a and 4b tpt - Jul 24 2022

web this is an editable word test or vocab and grammar packet of the units 4a 4b of the text book realidades 1 this document comes with an answer key and it s four pages long 8 pages counting the answer key question 1 complete each sentence with the most logical choice from the word bank question 2

realidades 1 chapter 4b vocabulary list with answer key - Dec 29 2022

web this is a pdf of the realidades 2014 chapter 4b vocabulary list in pdf form it has all of the vocabulary words and grammar from the textbook page 218 the words are written in spanish so kids don t copy them down wrong student then use their textbook to write down the english definitions of each vocabulary word

[realidades 1 ch 4b pdf google drive](#) - Aug 05 2023

web view details request a review learn more

[4b guided practice answers pdf google sheets](#) - Jun 03 2023

web 4b guided practice answers pdf 4b guided practice answers pdf sign in

[realidades level 1 writing audio and video workbook](#) - Apr 01 2023

web our resource for realidades level 1 writing audio and video workbook includes answers to chapter exercises as well as detailed information to walk you through the process step by step with expert solutions for thousands of practice problems you can take the guesswork out of studying and move forward with confidence

[results for 4b realidades 1 vocabulary tpt](#) - Jun 22 2022

web this quiz has 4 parts listening fill in the blank with a word bank in english a writing section on jugar and a section on giving excuses using terms from the tema 4b vocabulary an answer key and listening script is provided and of course any section may be modified to meet the needs of your students