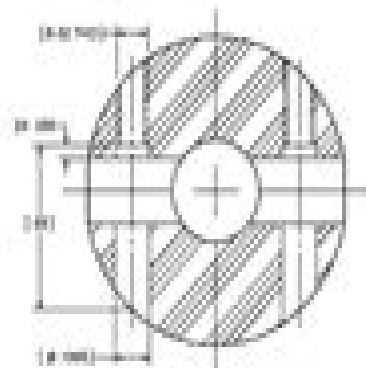
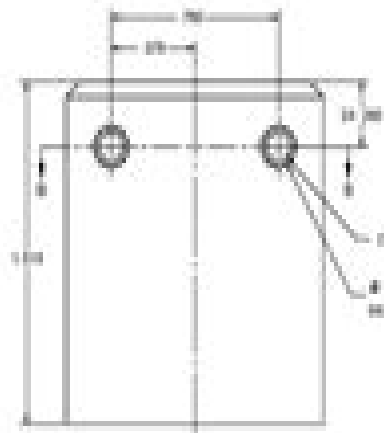
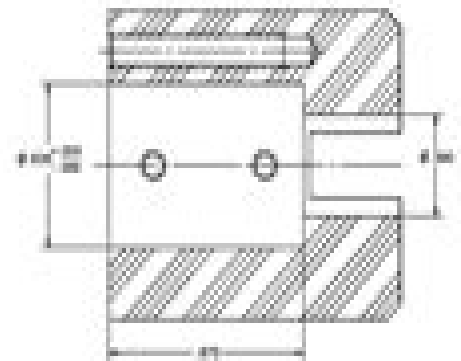
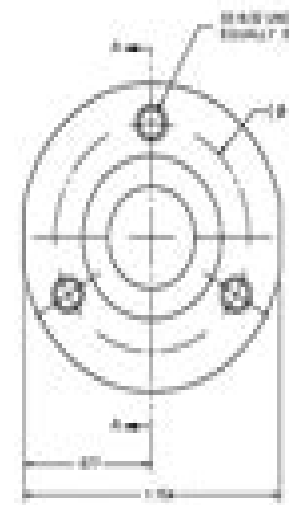
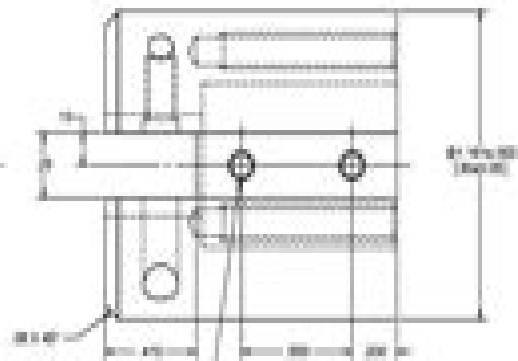
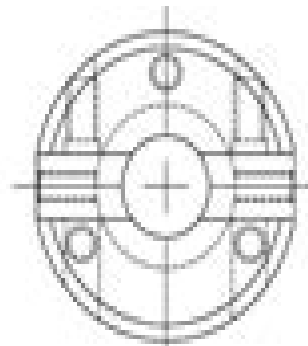
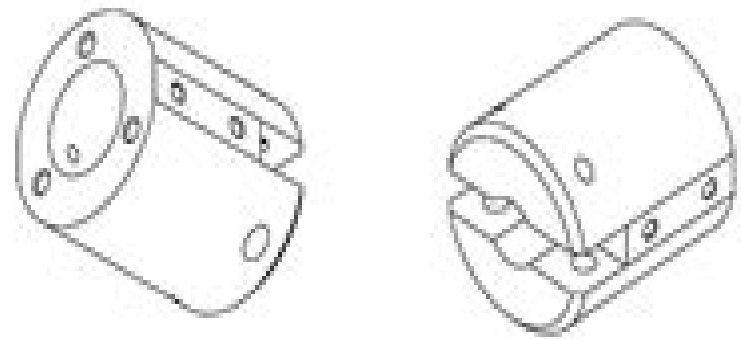


NO.	DATE	BY	CHECKED



TITLE		NO. LANGUAGES	

Mechanical Engineering Drawing S

Raffaela Di Napoli

A decorative graphic element consisting of a light blue horizontal bar with a rounded right end, and a red-to-white gradient semi-circle positioned behind the bar's end.

Mechanical Engineering Drawing S:

Fuel your quest for knowledge with Authored by is thought-provoking masterpiece, Dive into the World of **Mechanical Engineering Drawing S** . This educational ebook, conveniently sized in PDF (Download in PDF: *), is a gateway to personal growth and intellectual stimulation. Immerse yourself in the enriching content curated to cater to every eager mind. Download now and embark on a learning journey that promises to expand your horizons. .

<https://staging.conocer.cide.edu/results/book-search/index.jsp/geliebtes%20sibirien.pdf>

Table of Contents Mechanical Engineering Drawing S

1. Understanding the eBook Mechanical Engineering Drawing S
 - The Rise of Digital Reading Mechanical Engineering Drawing S
 - Advantages of eBooks Over Traditional Books
2. Identifying Mechanical Engineering Drawing S
 - Exploring Different Genres
 - Considering Fiction vs. Non-Fiction
 - Determining Your Reading Goals
3. Choosing the Right eBook Platform
 - Popular eBook Platforms
 - Features to Look for in an Mechanical Engineering Drawing S
 - User-Friendly Interface
4. Exploring eBook Recommendations from Mechanical Engineering Drawing S
 - Personalized Recommendations
 - Mechanical Engineering Drawing S User Reviews and Ratings
 - Mechanical Engineering Drawing S and Bestseller Lists
5. Accessing Mechanical Engineering Drawing S Free and Paid eBooks
 - Mechanical Engineering Drawing S Public Domain eBooks
 - Mechanical Engineering Drawing S eBook Subscription Services
 - Mechanical Engineering Drawing S Budget-Friendly Options

6. Navigating Mechanical Engineering Drawing S eBook Formats
 - ePub, PDF, MOBI, and More
 - Mechanical Engineering Drawing S Compatibility with Devices
 - Mechanical Engineering Drawing S Enhanced eBook Features
7. Enhancing Your Reading Experience
 - Adjustable Fonts and Text Sizes of Mechanical Engineering Drawing S
 - Highlighting and Note-Taking Mechanical Engineering Drawing S
 - Interactive Elements Mechanical Engineering Drawing S
8. Staying Engaged with Mechanical Engineering Drawing S
 - Joining Online Reading Communities
 - Participating in Virtual Book Clubs
 - Following Authors and Publishers Mechanical Engineering Drawing S
9. Balancing eBooks and Physical Books Mechanical Engineering Drawing S
 - Benefits of a Digital Library
 - Creating a Diverse Reading Collection Mechanical Engineering Drawing S
10. Overcoming Reading Challenges
 - Dealing with Digital Eye Strain
 - Minimizing Distractions
 - Managing Screen Time
11. Cultivating a Reading Routine Mechanical Engineering Drawing S
 - Setting Reading Goals Mechanical Engineering Drawing S
 - Carving Out Dedicated Reading Time
12. Sourcing Reliable Information of Mechanical Engineering Drawing S
 - Fact-Checking eBook Content of Mechanical Engineering Drawing S
 - Distinguishing Credible Sources
13. Promoting Lifelong Learning
 - Utilizing eBooks for Skill Development
 - Exploring Educational eBooks
14. Embracing eBook Trends
 - Integration of Multimedia Elements

- Interactive and Gamified eBooks

Mechanical Engineering Drawing S Introduction

In this digital age, the convenience of accessing information at our fingertips has become a necessity. Whether its research papers, eBooks, or user manuals, PDF files have become the preferred format for sharing and reading documents. However, the cost associated with purchasing PDF files can sometimes be a barrier for many individuals and organizations. Thankfully, there are numerous websites and platforms that allow users to download free PDF files legally. In this article, we will explore some of the best platforms to download free PDFs. One of the most popular platforms to download free PDF files is Project Gutenberg. This online library offers over 60,000 free eBooks that are in the public domain. From classic literature to historical documents, Project Gutenberg provides a wide range of PDF files that can be downloaded and enjoyed on various devices. The website is user-friendly and allows users to search for specific titles or browse through different categories. Another reliable platform for downloading Mechanical Engineering Drawing S free PDF files is Open Library. With its vast collection of over 1 million eBooks, Open Library has something for every reader. The website offers a seamless experience by providing options to borrow or download PDF files. Users simply need to create a free account to access this treasure trove of knowledge. Open Library also allows users to contribute by uploading and sharing their own PDF files, making it a collaborative platform for book enthusiasts. For those interested in academic resources, there are websites dedicated to providing free PDFs of research papers and scientific articles. One such website is Academia.edu, which allows researchers and scholars to share their work with a global audience. Users can download PDF files of research papers, theses, and dissertations covering a wide range of subjects. Academia.edu also provides a platform for discussions and networking within the academic community. When it comes to downloading Mechanical Engineering Drawing S free PDF files of magazines, brochures, and catalogs, Issuu is a popular choice. This digital publishing platform hosts a vast collection of publications from around the world. Users can search for specific titles or explore various categories and genres. Issuu offers a seamless reading experience with its user-friendly interface and allows users to download PDF files for offline reading. Apart from dedicated platforms, search engines also play a crucial role in finding free PDF files. Google, for instance, has an advanced search feature that allows users to filter results by file type. By specifying the file type as "PDF," users can find websites that offer free PDF downloads on a specific topic. While downloading Mechanical Engineering Drawing S free PDF files is convenient, its important to note that copyright laws must be respected. Always ensure that the PDF files you download are legally available for free. Many authors and publishers voluntarily provide free PDF versions of their work, but its essential to be cautious and verify the authenticity of the source before downloading Mechanical Engineering Drawing S. In conclusion, the internet offers numerous platforms and websites that allow users to download free PDF files legally. Whether its classic

literature, research papers, or magazines, there is something for everyone. The platforms mentioned in this article, such as Project Gutenberg, Open Library, Academia.edu, and Issuu, provide access to a vast collection of PDF files. However, users should always be cautious and verify the legality of the source before downloading Mechanical Engineering Drawing S any PDF files. With these platforms, the world of PDF downloads is just a click away.

FAQs About Mechanical Engineering Drawing S Books

What is a Mechanical Engineering Drawing S PDF? A PDF (Portable Document Format) is a file format developed by Adobe that preserves the layout and formatting of a document, regardless of the software, hardware, or operating system used to view or print it. **How do I create a Mechanical Engineering Drawing S PDF?** There are several ways to create a PDF: Use software like Adobe Acrobat, Microsoft Word, or Google Docs, which often have built-in PDF creation tools. Print to PDF: Many applications and operating systems have a "Print to PDF" option that allows you to save a document as a PDF file instead of printing it on paper. Online converters: There are various online tools that can convert different file types to PDF. **How do I edit a Mechanical Engineering Drawing S PDF?** Editing a PDF can be done with software like Adobe Acrobat, which allows direct editing of text, images, and other elements within the PDF. Some free tools, like PDFescape or Smallpdf, also offer basic editing capabilities. **How do I convert a Mechanical Engineering Drawing S PDF to another file format?** There are multiple ways to convert a PDF to another format: Use online converters like Smallpdf, Zamzar, or Adobe Acrobats export feature to convert PDFs to formats like Word, Excel, JPEG, etc. Software like Adobe Acrobat, Microsoft Word, or other PDF editors may have options to export or save PDFs in different formats. **How do I password-protect a Mechanical Engineering Drawing S PDF?** Most PDF editing software allows you to add password protection. In Adobe Acrobat, for instance, you can go to "File" -> "Properties" -> "Security" to set a password to restrict access or editing capabilities. Are there any free alternatives to Adobe Acrobat for working with PDFs? Yes, there are many free alternatives for working with PDFs, such as: LibreOffice: Offers PDF editing features. PDFsam: Allows splitting, merging, and editing PDFs. Foxit Reader: Provides basic PDF viewing and editing capabilities. How do I compress a PDF file? You can use online tools like Smallpdf, ILovePDF, or desktop software like Adobe Acrobat to compress PDF files without significant quality loss. Compression reduces the file size, making it easier to share and download. Can I fill out forms in a PDF file? Yes, most PDF viewers/editors like Adobe Acrobat, Preview (on Mac), or various online tools allow you to fill out forms in PDF files by selecting text fields and entering information. Are there any restrictions when working with PDFs? Some PDFs might have restrictions set by their creator, such as password protection, editing restrictions, or print restrictions. Breaking these restrictions might require specific software or tools, which may or may not be legal depending on the circumstances and

local laws.

Find Mechanical Engineering Drawing S :

geliebtes sibirien

[gender and spanish cinema](#)

general biology i lab exercises

general mineral chemistry from qeqertarbuatsiaq

~~general chemistry 1a/1b/1c lab manuals~~2005

general chemistry laboratory manual custom publication

[generation pilule](#)

genesis files

gender power and sexuality

generalization for students with severe handicaps strategies and solutions

~~gems of wisdom advice from grandpa~~

gems from bhagavan

generating unit availability following planned outages

genealogies of west virginia families

genesis apocryphon a scroll from the wil

Mechanical Engineering Drawing S :

Stats: Data and Models, First Canadian Edition Book overview. This text is written for the introductory statistics course and students majoring in any field. It is written in an approachable, informal style ... Stats: Data and Models, First Canadian Edition Stats · Data and Models, First Canadian Edition ; Published by Pearson Education Canada, 2011 ; Filter by:Hardcover (6) ; Condition · VERY GOOD ; Stats · Data and ... Stats : Data and Models, First Canadian Edition Richard D. De Veaux Stats : Data and Models, First Canadian Edition Richard D. De Veaux ; Quantity. 1 available ; Item Number. 276166054274 ; Author. Richard D. De Veaux ; Book Title. Stats Data And Models Canadian Edition May 8, 2023 — Stats: Data and Models, First. Canadian Edition, focuses on statistical thinking and data analysis. Written in an approachable style without. Pearson Canadian Statistics Companion Website Introductory Statistics: Exploring the World Through Data, First Canadian Edition ... Stats: Data and Models, Second Canadian Edition. Stats: Data and Models Student Solutions Manual for Stats: Data and

Models, First ... Publisher, Pearson Education Canada; 1st edition (September 9, 2011). Language, English. Paperback, 0 pages. ISBN-10, 0321780221. Editions of Stats: Data and Models by Richard D. De Veaux Stats: Data and Models, First Canadian Edition. Published March 7th 2011 by Pearson Education Canada. Hardcover, 1,088 pages. Edition Language: English. Stats ... Stats : data and models : De Veaux, Richard D., author Jan 25, 2021 — "Taken from: Stats: Data and Models, First Canadian Edition, by Richard D. De Veaux, Paul F. Velleman, David E. Bock, Augustin M. Vukov ... Stats: Data and Models, First Canadian Edition Bibliographic information ; Publisher, Pearson Education Canada, 2011 ; ISBN, 0321546075, 9780321546074 ; Length, 1088 pages ; Export Citation, BiBTeX EndNote ... Showing results for "stats data and models canadian edition" Stats: Data and Models. 5th Edition. David E. Bock, Paul F. Velleman, Richard D. De Veaux, Floyd Bullard. Multiple ISBNs available. 4 options from \$10.99/mo ... Engagement Letter between New Haven Savings Bank & ... This agreement sets forth the terms and conditions under which New Haven Savings Bank ("New Haven" or the "Company") has engaged the services of Ryan Beck & Co. Sample Engagement Letter | PDF | Investor | Due Diligence Kind Attention: Mr. _____ Managing Director. Dear Sir,. Sub: Strategic and Financial Advisory Services for sale of shareholder stake/ investment in XXXXXX. We, ... Engagement letters The detailed scope of the work (for example, involvement or not with due diligence, tax structure, regulatory clearances, drafting and negotiation) may be set ... 22-400 Engagement letter for vendor initiated due diligence [In respect of information to be contained in the report which has been extracted from audited financial statements, we would emphasise that the audit opinion ... Engagement Letter This letter agreement (the "Agreement") confirms that Telkonet, Inc. (together with its subsidiaries and affiliates the "Company") has engaged Bryant Park ... Appendix — Examples of Letters and Due Diligence ... This letter relates only to the financial statement items and other financial ... Example R — Engagement letter relating to a private placement or other exempt ... Sample Engagement Letter This sample engagement letter provides nonauthoritative guidance to assist with compliance with. Statement on Standards in Personal Financial Planning ... Sample engagement letters for an accounting practice Engagement letters are essential to successful practice management. They help improve client relations, avoid client misunderstandings, and reduce the risk ... Due diligence This letter shall confirm the engagement of CS Rao &Co. ("Advisor") as the exclusive financial advisor to Navtrix Corporation ("Company") to perform due ... Circuits - Gizmo Lab Answers - Name Answers to the Circuits Gizmo Lab. All questions answered. name: date: student exploration: circuits vocabulary: ammeter, circuit, current, electron, Circuits Student Exploration Gizmo Worksheet - Name All the information needed for completeing the student exploration worksheet on the circuits gizmo. Answers can be used freely. Student Exploration: Circuits (gizmos) Flashcards Study with Quizlet and memorize flashcards containing terms like Suppose a single light bulb burns out. How do you think this will affect lights that are ... Circuit gizmo answers Circuit builder gizmo assessment answers. Gizmo circuit builder answers. Circuits gizmo answer key. Advanced circuit gizmo answers. Student Exploration: Circuits: Vocabulary: Ammeter, ... Name: Grayson Smith

Date: 3/18/21. Student Exploration: Circuits. Vocabulary: ammeter, circuit, current, electron, ohmmeter, Ohm's law, parallel circuit, SOLUTION: Student Exploration Circuits Gizmos Worksheet Our verified tutors can answer all questions, from basic math to advanced rocket science! ... key content concepts and personal experiences (6 points)/27 pts. Building Circuits Virtual Lab | ExploreLearning Gizmos Teach students about circuits with ExploreLearning Gizmos! Students use this ... Student Exploration Sheet. Google Doc MS Word PDF. Exploration Sheet Answer Key.