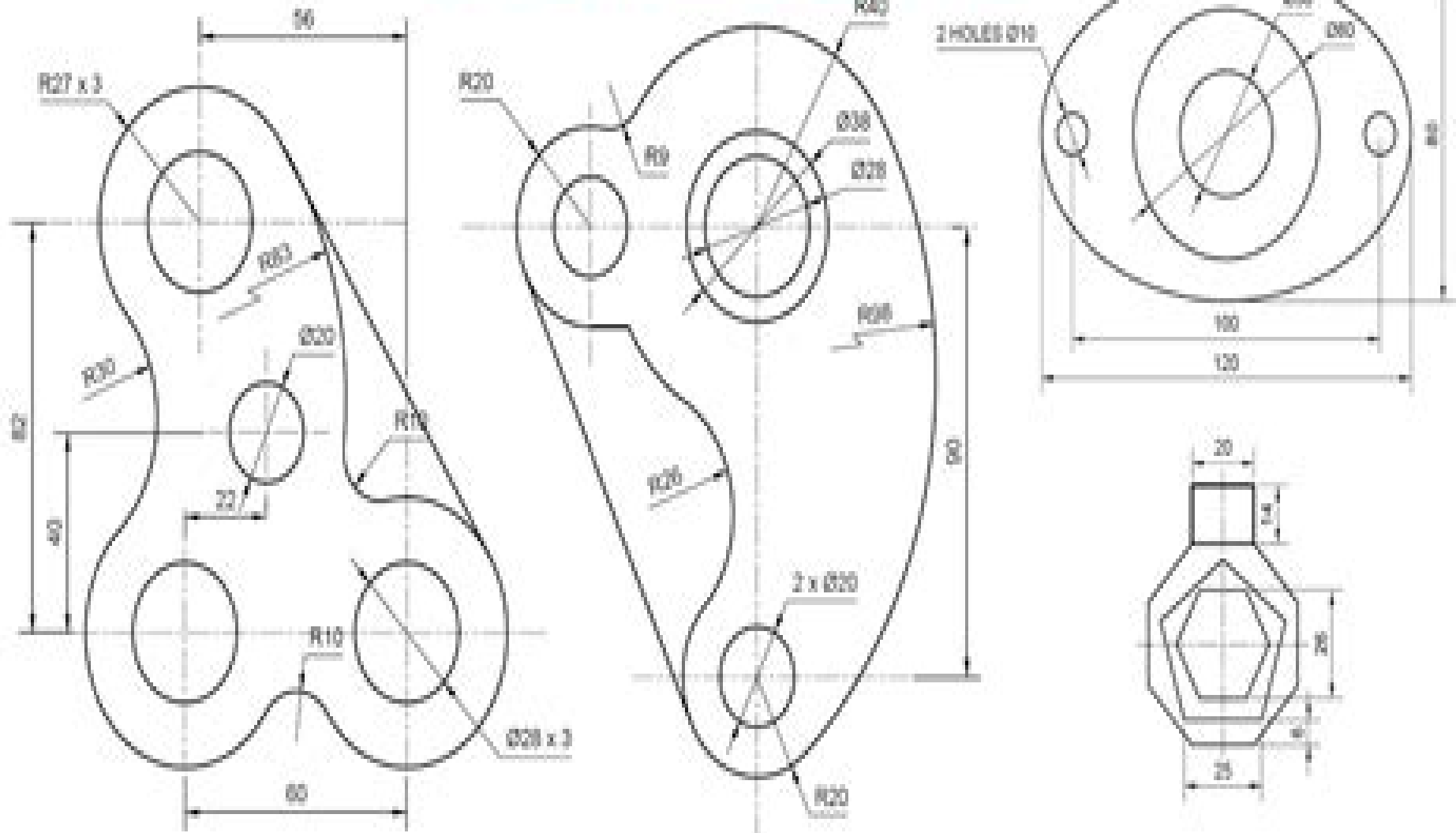


# AutoCAD Training Exercises - 3

## 315K+ Views



# Mechanical Autocad 2015 Training Manual

**DJ Losen**



## **Mechanical Autocad 2015 Training Manual:**

Discover tales of courage and bravery in Explore Bravery with is empowering ebook, Stories of Fearlessness: **Mechanical Autocad 2015 Training Manual** . In a downloadable PDF format ( PDF Size: \*), this collection inspires and motivates. Download now to witness the indomitable spirit of those who dared to be brave.

<https://staging.conocer.cide.edu/data/browse/index.jsp/Mazda%20Brawny%20Owners%20Manuall.pdf>

## **Table of Contents Mechanical Autocad 2015 Training Manual**

1. Understanding the eBook Mechanical Autocad 2015 Training Manual
  - The Rise of Digital Reading Mechanical Autocad 2015 Training Manual
  - Advantages of eBooks Over Traditional Books
2. Identifying Mechanical Autocad 2015 Training Manual
  - Exploring Different Genres
  - Considering Fiction vs. Non-Fiction
  - Determining Your Reading Goals
3. Choosing the Right eBook Platform
  - Popular eBook Platforms
  - Features to Look for in an Mechanical Autocad 2015 Training Manual
  - User-Friendly Interface
4. Exploring eBook Recommendations from Mechanical Autocad 2015 Training Manual
  - Personalized Recommendations
  - Mechanical Autocad 2015 Training Manual User Reviews and Ratings
  - Mechanical Autocad 2015 Training Manual and Bestseller Lists
5. Accessing Mechanical Autocad 2015 Training Manual Free and Paid eBooks
  - Mechanical Autocad 2015 Training Manual Public Domain eBooks
  - Mechanical Autocad 2015 Training Manual eBook Subscription Services
  - Mechanical Autocad 2015 Training Manual Budget-Friendly Options
6. Navigating Mechanical Autocad 2015 Training Manual eBook Formats

- ePub, PDF, MOBI, and More
  - Mechanical Autocad 2015 Training Manual Compatibility with Devices
  - Mechanical Autocad 2015 Training Manual Enhanced eBook Features
7. Enhancing Your Reading Experience
    - Adjustable Fonts and Text Sizes of Mechanical Autocad 2015 Training Manual
    - Highlighting and Note-Taking Mechanical Autocad 2015 Training Manual
    - Interactive Elements Mechanical Autocad 2015 Training Manual
  8. Staying Engaged with Mechanical Autocad 2015 Training Manual
    - Joining Online Reading Communities
    - Participating in Virtual Book Clubs
    - Following Authors and Publishers Mechanical Autocad 2015 Training Manual
  9. Balancing eBooks and Physical Books Mechanical Autocad 2015 Training Manual
    - Benefits of a Digital Library
    - Creating a Diverse Reading Collection Mechanical Autocad 2015 Training Manual
  10. Overcoming Reading Challenges
    - Dealing with Digital Eye Strain
    - Minimizing Distractions
    - Managing Screen Time
  11. Cultivating a Reading Routine Mechanical Autocad 2015 Training Manual
    - Setting Reading Goals Mechanical Autocad 2015 Training Manual
    - Carving Out Dedicated Reading Time
  12. Sourcing Reliable Information of Mechanical Autocad 2015 Training Manual
    - Fact-Checking eBook Content of Mechanical Autocad 2015 Training Manual
    - Distinguishing Credible Sources
  13. Promoting Lifelong Learning
    - Utilizing eBooks for Skill Development
    - Exploring Educational eBooks
  14. Embracing eBook Trends
    - Integration of Multimedia Elements
    - Interactive and Gamified eBooks

## Mechanical Autocad 2015 Training Manual Introduction

In today's digital age, the availability of Mechanical Autocad 2015 Training Manual books and manuals for download has revolutionized the way we access information. Gone are the days of physically flipping through pages and carrying heavy textbooks or manuals. With just a few clicks, we can now access a wealth of knowledge from the comfort of our own homes or on the go. This article will explore the advantages of Mechanical Autocad 2015 Training Manual books and manuals for download, along with some popular platforms that offer these resources. One of the significant advantages of Mechanical Autocad 2015 Training Manual books and manuals for download is the cost-saving aspect. Traditional books and manuals can be costly, especially if you need to purchase several of them for educational or professional purposes. By accessing Mechanical Autocad 2015 Training Manual versions, you eliminate the need to spend money on physical copies. This not only saves you money but also reduces the environmental impact associated with book production and transportation.

Furthermore, Mechanical Autocad 2015 Training Manual books and manuals for download are incredibly convenient. With just a computer or smartphone and an internet connection, you can access a vast library of resources on any subject imaginable. Whether you're a student looking for textbooks, a professional seeking industry-specific manuals, or someone interested in self-improvement, these digital resources provide an efficient and accessible means of acquiring knowledge. Moreover, PDF books and manuals offer a range of benefits compared to other digital formats. PDF files are designed to retain their formatting regardless of the device used to open them. This ensures that the content appears exactly as intended by the author, with no loss of formatting or missing graphics. Additionally, PDF files can be easily annotated, bookmarked, and searched for specific terms, making them highly practical for studying or referencing. When it comes to accessing Mechanical Autocad 2015 Training Manual books and manuals, several platforms offer an extensive collection of resources. One such platform is Project Gutenberg, a nonprofit organization that provides over 60,000 free eBooks. These books are primarily in the public domain, meaning they can be freely distributed and downloaded. Project Gutenberg offers a wide range of classic literature, making it an excellent resource for literature enthusiasts. Another popular platform for Mechanical Autocad 2015 Training Manual books and manuals is Open Library. Open Library is an initiative of the Internet Archive, a non-profit organization dedicated to digitizing cultural artifacts and making them accessible to the public. Open Library hosts millions of books, including both public domain works and contemporary titles. It also allows users to borrow digital copies of certain books for a limited period, similar to a library lending system. Additionally, many universities and educational institutions have their own digital libraries that provide free access to PDF books and manuals. These libraries often offer academic texts, research papers, and technical manuals, making them invaluable resources for students and researchers. Some notable examples include MIT OpenCourseWare, which offers free access to course materials from the Massachusetts Institute of Technology, and the Digital Public Library of America, which provides a vast collection of digitized

books and historical documents. In conclusion, Mechanical Autocad 2015 Training Manual books and manuals for download have transformed the way we access information. They provide a cost-effective and convenient means of acquiring knowledge, offering the ability to access a vast library of resources at our fingertips. With platforms like Project Gutenberg, Open Library, and various digital libraries offered by educational institutions, we have access to an ever-expanding collection of books and manuals. Whether for educational, professional, or personal purposes, these digital resources serve as valuable tools for continuous learning and self-improvement. So why not take advantage of the vast world of Mechanical Autocad 2015 Training Manual books and manuals for download and embark on your journey of knowledge?

### **FAQs About Mechanical Autocad 2015 Training Manual Books**

How do I know which eBook platform is the best for me? Finding the best eBook platform depends on your reading preferences and device compatibility. Research different platforms, read user reviews, and explore their features before making a choice. Are free eBooks of good quality? Yes, many reputable platforms offer high-quality free eBooks, including classics and public domain works. However, make sure to verify the source to ensure the eBook credibility. Can I read eBooks without an eReader? Absolutely! Most eBook platforms offer web-based readers or mobile apps that allow you to read eBooks on your computer, tablet, or smartphone. How do I avoid digital eye strain while reading eBooks? To prevent digital eye strain, take regular breaks, adjust the font size and background color, and ensure proper lighting while reading eBooks. What the advantage of interactive eBooks? Interactive eBooks incorporate multimedia elements, quizzes, and activities, enhancing the reader engagement and providing a more immersive learning experience. Mechanical Autocad 2015 Training Manual is one of the best book in our library for free trial. We provide copy of Mechanical Autocad 2015 Training Manual in digital format, so the resources that you find are reliable. There are also many Ebooks of related with Mechanical Autocad 2015 Training Manual. Where to download Mechanical Autocad 2015 Training Manual online for free? Are you looking for Mechanical Autocad 2015 Training Manual PDF? This is definitely going to save you time and cash in something you should think about.

### **Find Mechanical Autocad 2015 Training Manual :**

[mazda brawny owners manual](#)

[mazda rxservice guide](#)

[mazda mpv automotive manual](#)

*mb quart nka169 speakers owners manual*

~~mazda premacy repair manual~~

mazda b2500 pickup repairs

mazdaspeed3 repair manual

**mbal petex manual**

~~mazda2 body repair manual~~

*mazda rx 8 automatic*

*mazda premacy abs wiring diagrams*

*mazda mpv workshop repair manual 1996 onwards*

*mb e350 owners manual*

*mcas science practice*

mazda b2200 starter circuit diagram

## **Mechanical Autocad 2015 Training Manual :**

**user requirements for good engineering practices** - Jun 29 2022

web jan 22 2018 this ppt contains ispe guidelines for pharmaceutical engineering activities in good engineering practices

risk management in gep cost management in gep

gep engineering nl good engineering practice - Dec 24 2021

*ispe publishes ispe good practice guide good engineering* - Aug 12 2023

web nov 5 2021 the ispe good practice guide good engineering practice second edition defines the practices and processes under good engineering practice gep

**ispe releases second edition guide to good engineering practice** - Jan 05 2023

web nov 22 2021 the ispe good practice guide good engineering practice second edition defines the practices and processes under good engineering practice gep

pharma iq good engineering practice gep - Oct 02 2022

web good engineering practice or gep is engineering and technical activities that ensure that a company manufactures products of the required quality as expected e g

good engineering practice gep stack height cpp wind - Mar 27 2022

web apr 2 2023 good engineering practices in pharmaceutical industries an overview mohan yadav april 2 2023 7 min read



good engineering practice or gep is

[ispe good practice guide good engineering practice second](#) - Sep 13 2023

web this ispe good practice guide aims to provide a definition and explanation of the term good engineering practice gep it describes the fundamental elements of gep as it

[good engineering practices in pharmaceutical industries an](#) - Feb 23 2022

web nov 13 2015 good engineering practice gep is engineering and technical activities that ensures the engineering operating or maintenance activities based on established

**good engineering practice in risk based** - Apr 08 2023

web ispe good practice guide page 5 good engineering practice table of contents 1 introduction 7

[table of contents ispe](#) - Jun 10 2023

web good engineering practice table of contents 1 introduction 2 2 gep in relation to gxp 16 2 3 this guide and ispe guidance documents 17 3 core concept

[ispe publishes ispe good practice guide good engineering](#) - Dec 04 2022

web aug 2 2020 is gep required gep is not mandated by gmp regulations however effective implementation and use of gep principles improves project outcomes team

[is gep required the basics of good engineering practices](#) - Nov 03 2022

web good engineering practice gep is defined as combination of standards specifications codes regulatory and industrial guidelines as well as accepted engineering and design

**good practice guide good engineering practice 2nd** - Oct 14 2023

web the ispe good practice guide good engineering practice second edition defines the practices and processes under gep that support and enable the design delivery and

[good engineering practice wikiwand](#) - Sep 01 2022

web gep good engineering practice approval is a method to modify both well spacing and target area restrictions for gas or oil pool development for oil pools a single project

**good engineering practices ppt slideshare** - May 29 2022

web jun 29 2023 gep emphasizes the application of established engineering principles best practices and industry standards to achieve optimal results it promotes consistency

**good engineering practice gep summary information** - Jul 31 2022

web sep 14 2020 in ispe s good practice guide good engineering practice document it states that regulated companies should have established methods for developing and

**good engineering practices gep in pharmaceutical industry** - Apr 27 2022

web surrounding terrain nearby buildings and structures local climate characteristics according to environmental protection agency epa regulations gep stack height is defined to be

ispe good practice guide good engineering practice second - May 09 2023

web this guide considers the entire range of pharmaceutical engineering activity and identifies key attributes of gep within it including how gep relates to and interfaces with gxp

*the importance of good engineering practice in the* - Feb 06 2023

web nov 23 2021 the good practice guide good engineering practice aims to define the practices and processes that support and enable the design delivery and operation of

*table of contents ispe* - Mar 07 2023

web nov 15 2021 perhaps now is a good time then to review why good engineering practice gep is important to the pharmaceutical industry what benefits the good

*good engineering practice wikipedia* - Jul 11 2023

good engineering practice or gep is engineering and technical activities that ensure that a company manufactures products of the required quality as expected e g by the relevant regulatory authorities good engineering practices are to ensure that the development and or manufacturing effort consistently generates deliverables that support the requirements for qualification or validation good engineering practices are applied to all industries that require e

**good engineering practice gep the project definition** - Jan 25 2022

web good engineering practice or gep is a term applied to engineering and technical activities to ensure that a company manufactures products of the required quality as

**basics dachkonstruktion neuausgabe amazon de** - Jun 13 2023

web basics dachkonstruktion erläutert welche arten von dächern es gibt und welche vor und nachteile sie haben es stellt dar welche aufgaben die konstruktive elemente und schichten übernehmen und wie sie planerisch zu berücksichtigen sind

flachdächer de gruyter - Dec 07 2022

web basics dachkonstruktion chapters in this book 12 frontmatter inhalt vorwort einföhrung grundlagen und einflussfaktoren geneigte dächer konstruktionen bauteilschichten flachdächer zusätzliche komponenten schlusswort anhang

**basics dachkonstruktion german edition by tanja brotrück goodreads** - Mar 30 2022

web read reviews from the world s largest community for readers dachkonstruktionen werden in den ersten studiumsentrwürfen oft in verbindung mit dem mauerwerks

*basics dachkonstruktion von ann christin siegemund buch* - Jan 08 2023

web basics dachkonstruktion erläutert welche arten von dächern es gibt und welche vor und nachteile sie haben es stellt dar welche aufgaben die konstruktive elemente und schichten übernehmen und wie sie planerisch zu berücksichtigen sind

**basics dachkonstruktion de gruyter** - Aug 15 2023

web oct 12 2020 basics dachkonstruktion ann christin siegemund edited by bert bielefeld in the series basics doi org 10 1515 9783035619607 cite this overview contents about this book roofs types functions and structures a roof over one s head is a basic need it provides shelter from rain wind and the cold

**basics dachkonstruktion 2 a kağıt kapak 19 mart 2018** - Apr 11 2023

web basics dachkonstruktion 2 a brotruck tanja amazon com tr kitap Çerez tercihlerinizi seçin Çerez bildirimimizde ayrıntılı şekilde açıklandığı üzere alışveriş yapmanızı sağlamak alışveriş deneyiminizi iyileştirmek ve hizmetlerimizi sunmak için gerekli olan çerezleri ve benzer araçları kullanırız

**dachaufbau wie ist ein dach aufgebaut aroundhome** - Apr 30 2022

web mar 9 2020 das wichtigste in kürze der dachaufbau eines satteldachs ist anders gestaltet als der eines flachen daches bei der dachdämmung wird zwischen der aufsparren zwischensparren und untersparrendämmung unterschieden die dachlattung setzt sich aus der konterlattung und der traglattung zusammen die dachabdichtung

basics dachkonstruktion neuausgabe almanca kağıt kapak - Mar 10 2023

web basics dachkonstruktion neuausgabe bielefeld bert amazon com tr Çerez tercihlerinizi seçin alışveriş deneyiminizi geliştirmek hizmetlerimizi sunmak müşterilerin hizmetlerimizi nasıl kullandığını anlayarak iyileştirmeler yapabilmek ve tanımları gösterebilmek için çerezler ve benzeri araçları kullanılmaktadır

**wie wird ein dach konstruiert** - Oct 05 2022

web wie wird ein dach konstruiert auch wenn ein bauherr sein zukünftiges dach natürlich nicht selbst plant und baut sind einige grundkenntnisse doch hilfreich da sich die bauweisen gerade bei ein und zweifamilienhäusern weitgehend standardisiert haben die zimmerer errichten den dachstuhl balken für balken und sparren für sparren vor ort

*basics dachkonstruktion de gruyter* - Feb 09 2023

web may 22 2017 basics dachkonstruktion hier sehen sie wie das funktioniert publikationen nach fachgebiet finden bibliotheks und informationswissenschaft buchwissenschaft islam und nahostwissenschaft jüdische studien linguistik und semiotik basics dachkonstruktion Über dieses buch inhalt Öffentlich zugänglichpdf

basics dachkonstruktion ebook pdf bücher de - Jul 02 2022

web basics dachkonstruktion ebook pdf format pdf jetzt bewerten auf die merkliste bewerten teilen produktionserinnerung weitere ausgabe ebook epub dachkonstruktionen werden in den ersten studiumsentwürfen oft in verbindung mit

*basics dachkonstruktion by tanja brotrck goodreads* - Jan 28 2022

web basics dachkonstruktion book read reviews from world s largest community for readers dachkonstruktionen werden in den ersten studiumsentrwrfen oft in ve

*die wichtigsten dachkonstruktionen im Überblick energie* - Aug 03 2022

web apr 25 2016 die dachkonstruktion bezeichnet das tragegerüst eines dachs die dafür sorgt dass das dach standfest ist die dachkonstruktion ergibt zusammen mit der dacheindeckung auch dachdeckung oder dachhaut genannt das dach geläufig sind die alternativen bezeichnungen dachtragwerk oder kurz tragwerk für die dachkonstruktion

das geneigte dach de gruyter - Jun 01 2022

web das geneigte dach was published in basics dachkonstruktion on page 13

*basics dachkonstruktion bücher de* - Sep 04 2022

web basics dachkonstruktion erläutert welche arten von dächern es gibt und welche vor und nachteile sie haben es stellt dar welche aufgaben die konstruktive elemente und schichten übernehmen und wie sie planerisch zu berücksichtigen sind

*basics dachkonstruktion de gruyter* - May 12 2023

web may 22 2017 basics dachkonstruktion tanja brotrück in the series basics doi org 10 1515 9783035612578 cite this overview contents about this book ways to create a protective canopy roof structures are often treated in connection with masonry construction in the student s first designs

**basics dachkonstruktion de gruyter** - Jul 14 2023

web oct 12 2020 basics dachkonstruktion erläutert welche arten von dächern es gibt und welche vor und nachteile sie haben es stellt dar welche aufgaben die konstruktive elemente und schichten übernehmen und wie sie planerisch zu berücksichtigen sind

*pdf basics dachkonstruktion by ann christin siegemund* - Feb 26 2022

web siegemund a c 2020 basics dachkonstruktion 1st edn birkhäuser available at perlego com book 2137389 basics dachkonstruktion neuausgabe pdf accessed 26 july 2023

**pdf basics dachkonstruktion by tanja brotrück perlego** - Dec 27 2021

web basics dachkonstruktion tanja brotrück book details table of contents citations about this book dachkonstruktionen werden in den ersten studiumsentrwürfen oft in verbindung mit dem mauerwerksbau thematisiert welche formen und möglichkeiten der konstruktion von schützenden überdachungen eines gebäudes gibt es themen arten und funktion

**description basics dachkonstruktion** - Nov 06 2022

web basics dachkonstruktion tanja brotrück dachkonstruktionen werden in den ersten studiumsentrwürfen oft in verbindung mit dem mauerwerksbau thematisiert welche formen und möglichkeiten der konstruktion von schützenden überdachungen eines gebäudes gibt es

*report of the global environment facility unfccc - Apr 20 2022*

web unido united nations industrial development organization wasp world adaptation science program executive summary 1  
the global environment facility gef as

**global environment facility united nations** - Jun 03 2023

web apr 20 2020 the global environment facility gef is a family of funds dedicated to confronting biodiversity loss climate change pollution and strains on land and ocean

**global environment facility asian development bank** - Nov 15 2021

web the global environment facility gef was established on the eve of the 1992 rio earth summit to help tackle our planet s most pressing environmental problems since then

*global environment facility gef unccd - Jun 22 2022*

web the global environment facility gef was established in 1991 it comprises of 184 members and works in partnership with international institutions non governmental

**undp gef small grant program calls for proposals 2023** - May 22 2022

web mar 28 2023 the global environment facility of the small grant programme at the united nations development programme undp gef sgp announces the 2023 call

**un careers** - Sep 13 2021

web nov 2 2023 the united nations environment programme unep is the leading global environmental authority unep s industry and economy division works with a

*global environment facility gef small grants programme - Mar 20 2022*

web the small grants programme sgp is a corporate programme of the global environment facility gef that provides financial and technical support to local communities civil

**undp and rare announce partnership to address plastic pollution** - Feb 16 2022

web may 10 2023 the global environment facility small grants programme gef sgp implemented by the undp and the rare s center for behavior and the environment

**global environment facility a trusted partner in united nations** - Jan 30 2023

web dec 9 2021 the role of the global environment facility as a trusted partner of developing countries as they seek to adapt to climate change and shift from fossil fuel

*focal areas global environment facility unep - Nov 27 2022*

web unep works across all global environment facility focal areas with project portfolios in biodiversity chemicals waste climate change adaptation climate change

[world bank group and the global environment facility](#) - Oct 27 2022

web since its founding more than 30 years ago the global environment facility gef has played a pivotal role in addressing the world s most pressing environmental needs co

[accelerating innovation and finance launching the global](#) - Aug 13 2021

web oct 19 2023 manila october 2023 in a groundbreaking event the united nations development programme undp in the philippines with funding support from the

**undp statement on the launch of the new global biodiversity** - Jan 18 2022

web aug 24 2023 the united nations development programme undp commends the global environment facility for the swift creation of a dedicated financing mechanism

**global environment facility unep un environment programme** - Oct 07 2023

web the global environment facility gef established on the eve of the 1992 rio earth summit is a catalyst for action on the environment and much more through its

[report of the global environment facility to the conference of](#) - Sep 25 2022

web unido united nations industrial development organization who world health organization wwf world wildlife fund viii executive summary 1 the global

**global environment facility unfccc** - Jul 24 2022

web sep 25 2023 the global environment facility gef serves as an operating entity of the financial mechanism under the convention the relationship between the conference of

**global environment facility unep un environment programme** - Sep 06 2023

web latest news blogpost problems caused by chemical pollution are not as easy to spot story with time running out mexico s mercury miners seek a fresh start story how communal

[un calls for global action to turn cities into engines of sustainable](#) - Jul 12 2021

web oct 31 2023 today urban living has already been embraced by more than half of the world s population and un habitat projections indicate that nearly 70 per cent of people

**un environment and the global environment facility a natural** - Apr 01 2023

web aug 10 2018 publication un environment and the global environment facility a natural partnership for our planet 10 august 2018 as a founding partner of the gef with

**projects global environment facility unep** - Dec 29 2022

web the global environment facility gef is a multilateral fund dedicated to confronting biodiversity loss climate change pollution and strains on land and ocean health over

*as climate impacts accelerate finance gap for adaptation efforts* - Jun 10 2021

web nov 2 2023 about the un environment programme unep unep is the leading global voice on the environment it provides leadership and encourages partnership in caring

**about us global environment facility unep** - May 02 2023

web from flagship global gef programmes to full sized projects medium sized projects and enabling activities unep works across all global environment facility focal areas

what to expect at the next united nations environment assembly - Oct 15 2021

web oct 26 2023 in february 2024 world leaders scientists and representatives from civil society and businesses from around the world will gather in nairobi kenya for the sixth

**global environment facility sustainable development** - Dec 17 2021

web aug 29 2002 since rio the global environment facility which i am proud to head has grown from a pilot program to the largest investor in the global environment gef is

*undp deploys record us 500 million of global environment* - Feb 28 2023

web jul 3 2023 undp deploys record us 500 million of global environment facility funds to ramp up the fight against biodiversity loss and climate change resources will be

**global environment facility wikipedia** - Jul 04 2023

the global environment facility gef is a multilateral environmental fund that provides grants and blended finance for projects related to biodiversity climate change international waters land degradation persistent organic pollutants pops mercury sustainable forest management food security and sustainable cities in developing countries it is the largest source of multilateral funding for

**who and undp launch us 17 85 million global environment** - Aug 25 2022

web jul 26 2023 the united nations development programme undp and the world health organization who are launching a new partnership today to support four countries

gef seventh assembly 2023 united nations development - Aug 05 2023

web aug 26 2023 the seventh assembly of the global environment facility gef taking place in vancouver canada from august 22 to 26 2023 is an opportunity for significant