

# Replacement Instructions for Drive Gear and Worm Gear 41A2817



## CAUTION

The garage door must be in fully closed position during installation.

1. Close the garage door and unplug the opener.
2. Disengage the outer trolley by pulling the manual release rope.
3. Relax chain or belt tension by loosening outer nut of trolley assembly to the end of the threaded shaft (Figure 1). Consult your manual.
4. Remove sprocket cover or belt cap retainer (Figure 2).
5. Disengage chain or belt from sprocket and leave it loose on end of rail near sprocket until reassembly.
6. Remove the cover.
7. Remove the helical gear and retainer, Figure 3 (a).
8. Remove limit switch assembly (b):
  - Squeeze the sides just below the motor assembly bracket near the drive gear.
  - Disengage from its 3 retention slots and allow to hang by wires.
9. Unplug the wire harness (c) from the RPM sensor (d).
10. Remove motor assembly:
  - Disconnect the 3 wires leading from the motor, noting their position for reassembly.
  - Remove the 4 screws (e) fastening the motor bracket to the chassis, using a 5/16 long-shafted magnetic driver. Hand support motor before removing final screw.
  - Remove entire motor/bracket assembly and set aside.
11. Replace drive gear assembly:
  - Remove the 3 screws labeled (f) from under the chassis and lift out entire assembly by sprocket.
  - Remove roll pin (g) below drive gear.
  - Remove drive gear from shaft and replace with new.
  - Replace roll pin in shaft, approximately flush with gear hub.
  - Apply grease generously to drive gear.
  - Refasten assembly to opener chassis.
12. Replace worm gear:
  - A. Motor Vibration Isolator models only:** (see Figure 4 on page 2)
    - Remove 3 screws holding bracket to motor and pull off bracket.
    - Remove roll pin from motor shaft and slide worm gear off. Remove "O" Ring, "C" Ring and spacer.
    - Replace with new parts in proper sequence, per illustration.
  - B. All other models:** (see Figure 5 on page 2)
    - Remove interrupter cup, collar, washers, and bearing from motor shaft and set aside in proper sequence for replacement. Replace only those parts used on your model.



## WARNING

To avoid serious injury or death from electrocution, disconnect power to opener before proceeding.

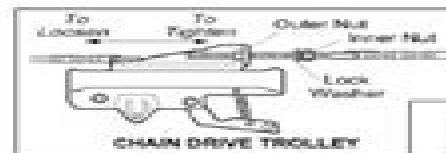


Figure 1



Figure 2

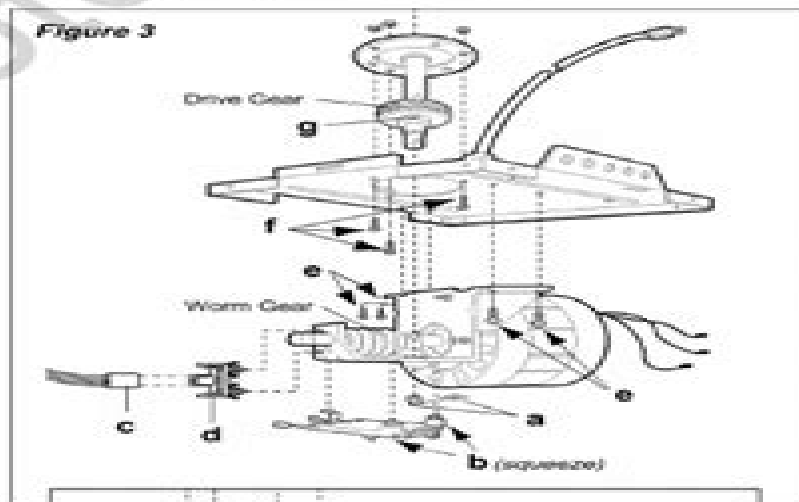
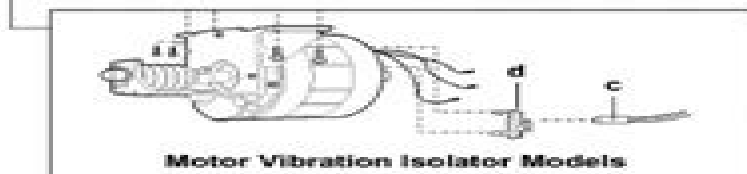


Figure 3



Motor Vibration Isolator Models

# Legacy Garage Door Opener Owners Manual

**Yicheng Fang**



**Legacy Garage Door Opener Owners Manual:**

Yeah, reviewing a ebook **Legacy Garage Door Opener Owners Manual** could add your close connections listings. This is just one of the solutions for you to be successful. As understood, triumph does not recommend that you have wonderful points.

Comprehending as with ease as contract even more than further will find the money for each success. neighboring to, the notice as capably as perspicacity of this Legacy Garage Door Opener Owners Manual can be taken as well as picked to act.

<https://staging.conocer.cide.edu/public/uploaded-files/fetch.php/Haynes%20Manual%20Vauxhall%20Corsa%202001%20Torrent.pdf>

## **Table of Contents Legacy Garage Door Opener Owners Manual**

1. Understanding the eBook Legacy Garage Door Opener Owners Manual
  - The Rise of Digital Reading Legacy Garage Door Opener Owners Manual
  - Advantages of eBooks Over Traditional Books
2. Identifying Legacy Garage Door Opener Owners Manual
  - Exploring Different Genres
  - Considering Fiction vs. Non-Fiction
  - Determining Your Reading Goals
3. Choosing the Right eBook Platform
  - Popular eBook Platforms
  - Features to Look for in an Legacy Garage Door Opener Owners Manual
  - User-Friendly Interface
4. Exploring eBook Recommendations from Legacy Garage Door Opener Owners Manual
  - Personalized Recommendations
  - Legacy Garage Door Opener Owners Manual User Reviews and Ratings
  - Legacy Garage Door Opener Owners Manual and Bestseller Lists
5. Accessing Legacy Garage Door Opener Owners Manual Free and Paid eBooks

- Legacy Garage Door Opener Owners Manual Public Domain eBooks
  - Legacy Garage Door Opener Owners Manual eBook Subscription Services
  - Legacy Garage Door Opener Owners Manual Budget-Friendly Options
6. Navigating Legacy Garage Door Opener Owners Manual eBook Formats
    - ePub, PDF, MOBI, and More
    - Legacy Garage Door Opener Owners Manual Compatibility with Devices
    - Legacy Garage Door Opener Owners Manual Enhanced eBook Features
  7. Enhancing Your Reading Experience
    - Adjustable Fonts and Text Sizes of Legacy Garage Door Opener Owners Manual
    - Highlighting and Note-Taking Legacy Garage Door Opener Owners Manual
    - Interactive Elements Legacy Garage Door Opener Owners Manual
  8. Staying Engaged with Legacy Garage Door Opener Owners Manual
    - Joining Online Reading Communities
    - Participating in Virtual Book Clubs
    - Following Authors and Publishers Legacy Garage Door Opener Owners Manual
  9. Balancing eBooks and Physical Books Legacy Garage Door Opener Owners Manual
    - Benefits of a Digital Library
    - Creating a Diverse Reading Collection Legacy Garage Door Opener Owners Manual
  10. Overcoming Reading Challenges
    - Dealing with Digital Eye Strain
    - Minimizing Distractions
    - Managing Screen Time
  11. Cultivating a Reading Routine Legacy Garage Door Opener Owners Manual
    - Setting Reading Goals Legacy Garage Door Opener Owners Manual
    - Carving Out Dedicated Reading Time
  12. Sourcing Reliable Information of Legacy Garage Door Opener Owners Manual
    - Fact-Checking eBook Content of Legacy Garage Door Opener Owners Manual
    - Distinguishing Credible Sources
  13. Promoting Lifelong Learning
    - Utilizing eBooks for Skill Development

- Exploring Educational eBooks
- 14. Embracing eBook Trends
  - Integration of Multimedia Elements
  - Interactive and Gamified eBooks

### **Legacy Garage Door Opener Owners Manual Introduction**

In today's digital age, the availability of Legacy Garage Door Opener Owners Manual books and manuals for download has revolutionized the way we access information. Gone are the days of physically flipping through pages and carrying heavy textbooks or manuals. With just a few clicks, we can now access a wealth of knowledge from the comfort of our own homes or on the go. This article will explore the advantages of Legacy Garage Door Opener Owners Manual books and manuals for download, along with some popular platforms that offer these resources. One of the significant advantages of Legacy Garage Door Opener Owners Manual books and manuals for download is the cost-saving aspect. Traditional books and manuals can be costly, especially if you need to purchase several of them for educational or professional purposes. By accessing Legacy Garage Door Opener Owners Manual versions, you eliminate the need to spend money on physical copies. This not only saves you money but also reduces the environmental impact associated with book production and transportation. Furthermore, Legacy Garage Door Opener Owners Manual books and manuals for download are incredibly convenient. With just a computer or smartphone and an internet connection, you can access a vast library of resources on any subject imaginable. Whether you're a student looking for textbooks, a professional seeking industry-specific manuals, or someone interested in self-improvement, these digital resources provide an efficient and accessible means of acquiring knowledge. Moreover, PDF books and manuals offer a range of benefits compared to other digital formats. PDF files are designed to retain their formatting regardless of the device used to open them. This ensures that the content appears exactly as intended by the author, with no loss of formatting or missing graphics. Additionally, PDF files can be easily annotated, bookmarked, and searched for specific terms, making them highly practical for studying or referencing. When it comes to accessing Legacy Garage Door Opener Owners Manual books and manuals, several platforms offer an extensive collection of resources. One such platform is Project Gutenberg, a nonprofit organization that provides over 60,000 free eBooks. These books are primarily in the public domain, meaning they can be freely distributed and downloaded. Project Gutenberg offers a wide range of classic literature, making it an excellent resource for literature enthusiasts. Another popular platform for Legacy Garage Door Opener Owners Manual books and manuals is Open Library. Open Library is an initiative of the Internet Archive, a non-profit organization dedicated to digitizing cultural artifacts and making them accessible to the public. Open Library hosts millions of books, including both public domain works and contemporary titles. It also allows users to borrow

digital copies of certain books for a limited period, similar to a library lending system. Additionally, many universities and educational institutions have their own digital libraries that provide free access to PDF books and manuals. These libraries often offer academic texts, research papers, and technical manuals, making them invaluable resources for students and researchers. Some notable examples include MIT OpenCourseWare, which offers free access to course materials from the Massachusetts Institute of Technology, and the Digital Public Library of America, which provides a vast collection of digitized books and historical documents. In conclusion, Legacy Garage Door Opener Owners Manual books and manuals for download have transformed the way we access information. They provide a cost-effective and convenient means of acquiring knowledge, offering the ability to access a vast library of resources at our fingertips. With platforms like Project Gutenberg, Open Library, and various digital libraries offered by educational institutions, we have access to an ever-expanding collection of books and manuals. Whether for educational, professional, or personal purposes, these digital resources serve as valuable tools for continuous learning and self-improvement. So why not take advantage of the vast world of Legacy Garage Door Opener Owners Manual books and manuals for download and embark on your journey of knowledge?

### **FAQs About Legacy Garage Door Opener Owners Manual Books**

How do I know which eBook platform is the best for me? Finding the best eBook platform depends on your reading preferences and device compatibility. Research different platforms, read user reviews, and explore their features before making a choice. Are free eBooks of good quality? Yes, many reputable platforms offer high-quality free eBooks, including classics and public domain works. However, make sure to verify the source to ensure the eBook credibility. Can I read eBooks without an eReader? Absolutely! Most eBook platforms offer webbased readers or mobile apps that allow you to read eBooks on your computer, tablet, or smartphone. How do I avoid digital eye strain while reading eBooks? To prevent digital eye strain, take regular breaks, adjust the font size and background color, and ensure proper lighting while reading eBooks. What the advantage of interactive eBooks? Interactive eBooks incorporate multimedia elements, quizzes, and activities, enhancing the reader engagement and providing a more immersive learning experience. Legacy Garage Door Opener Owners Manual is one of the best book in our library for free trial. We provide copy of Legacy Garage Door Opener Owners Manual in digital format, so the resources that you find are reliable. There are also many Ebooks of related with Legacy Garage Door Opener Owners Manual. Where to download Legacy Garage Door Opener Owners Manual online for free? Are you looking for Legacy Garage Door Opener Owners Manual PDF? This is definitely going to save you time and cash in something you should think about. If you trying to find then search around for online. Without a doubt there are numerous these available and many of them have the freedom. However without doubt you receive whatever you purchase. An alternate

way to get ideas is always to check another Legacy Garage Door Opener Owners Manual. This method for see exactly what may be included and adopt these ideas to your book. This site will almost certainly help you save time and effort, money and stress. If you are looking for free books then you really should consider finding to assist you try this. Several of Legacy Garage Door Opener Owners Manual are for sale to free while some are payable. If you arent sure if the books you would like to download works with for usage along with your computer, it is possible to download free trials. The free guides make it easy for someone to free access online library for download books to your device. You can get free download on free trial for lots of books categories. Our library is the biggest of these that have literally hundreds of thousands of different products categories represented. You will also see that there are specific sites catered to different product types or categories, brands or niches related with Legacy Garage Door Opener Owners Manual. So depending on what exactly you are searching, you will be able to choose e books to suit your own need. Need to access completely for Campbell Biology Seventh Edition book? Access Ebook without any digging. And by having access to our ebook online or by storing it on your computer, you have convenient answers with Legacy Garage Door Opener Owners Manual To get started finding Legacy Garage Door Opener Owners Manual, you are right to find our website which has a comprehensive collection of books online. Our library is the biggest of these that have literally hundreds of thousands of different products represented. You will also see that there are specific sites catered to different categories or niches related with Legacy Garage Door Opener Owners Manual So depending on what exactly you are searching, you will be able to choose ebook to suit your own need. Thank you for reading Legacy Garage Door Opener Owners Manual. Maybe you have knowledge that, people have search numerous times for their favorite readings like this Legacy Garage Door Opener Owners Manual, but end up in harmful downloads. Rather than reading a good book with a cup of coffee in the afternoon, instead they juggled with some harmful bugs inside their laptop. Legacy Garage Door Opener Owners Manual is available in our book collection an online access to it is set as public so you can download it instantly. Our digital library spans in multiple locations, allowing you to get the most less latency time to download any of our books like this one. Merely said, Legacy Garage Door Opener Owners Manual is universally compatible with any devices to read.

### **Find Legacy Garage Door Opener Owners Manual :**

[haynes manual vauxhall corsa 2001 torrent](#)

[haynes accent service manual megaupload](#)

**haynes repair manual ford f250**

[haynes 2003 ford f150 repairmanual](#)

[haynes manual saab 9-5](#)



**haynes mondeo manual**

~~haynes manual hyundai accent 2003~~

**haynes repair manual calais**

haynes auto manual

*haynes monte carlo manual*

haynes manual torrent suzuki escudo 1990

**haynes astra 2010 manual**

haynes manual opel astra

~~haynes repair manual dodge charger~~

*haynes manual ford escape 20xls*

**Legacy Garage Door Opener Owners Manual :**

**perang jepang dan rusia penyebab pertempuran dan** - Jun 22 2022

web jul 29 2022 berikut dampak dampak utama dari perang menurut laporan reuters 1 kematian sejak 24 februari 5 237 warga sipil tewas dan 7 035 terluka meskipun

revolusi rusia latar belakang sebab jalannya dampak - Sep 06 2023

web nov 9 2021 akibatnya sebagian besar dari mereka masih harus bekerja sebagai penggarap atau buruh tani baik di perkebunan pemilik tanah besar atau di ladang petani

dampak positif negatif revolusi rusia a z sejarah blogger - Oct 15 2021

sejarah revolusi rusia latar belakang proses tokoh hingga - Jun 03 2023

web cnn indonesia berita terbaru terkini indonesia dunia

sejarah revolusi rusia singkat dan latar belakangnya - Jul 24 2022

web apr 14 2023 adolf baars dengan berapi api menyerukan agar revolusi di rusia juga diikuti sekarang juga oleh hindia belanda pengaruh dari paha sosialis komunis

sejarah revolusi rusia lahirnya republik sosialis pertama di - Oct 27 2022

web nov 30 2021 verelladevanka adryamarthanino widya lestari ningsih perlawanan pasukan jepang atas rusia pada 1904  
wikimedia commons kompas com perang

**6 tujuan revolusi rusia yang paling penting untuk diketahui** - Jan 18 2022

[revolusi rusia latar belakang dan dampak](#) - Jul 04 2023

web jul 9 2021 namun menurut penanggalan julian revolusi ini terjadi pada 25 oktober 1917 oleh karena itu peristiwa ini disebut sebagai revolusi oktober karena rusia saat itu

[mengintip sejarah revolusi rusia yang memberi dampak bagi](#) - Apr 01 2023

web meletusnya revolusi rusia memberikan dampak yang signifikan terhadap dunia tak terkecuali bagi indonesia dampak utama dari revolusi rusia adalah munculnya

[moskow klaim uni eropa rugi rp23 ribu triliun karena dampak](#) - Dec 17 2021

**dua sisi dampak ekonomi dari perang rusia ukraina** - Apr 20 2022

web nov 4 2023 tempo co jakarta wakil menteri luar negeri rusia aleksandr grushko pada jumat 3 november 2023

mengklaim kalau negara negara anggota uni eropa

[revolusi oktober latar belakang kronologi dan dampak](#) - Feb 28 2023

web nov 7 2018 rusia di bawah tsar memang sering disebut sebagai teladan buruk eropa terbelakang feodal dan telat mengalami industrialisasi praktik perhambaan serfdom

**apakah dampak dari revolusi rusia bagi dunia roboguru** - Nov 27 2022

web sep 14 2023 jakarta revolusi rusia adalah gerakan ideologis yang bertujuan untuk mengakhiri sistem feodal dan menggantikannya dengan paham komunisme revolusi

**revolusi rusia dan dampaknya bagi indonesia** - Oct 07 2023

web sep 29 2023 pengaruh revolusi rusia revolusi rusia berpengaruh besar terhadap munculnya ideologi komunisme berikut pengaruh revolusi rusia 1 menyebarnya

[cnn indonesia berita terbaru terkini indonesia dunia](#) - Jan 30 2023

web nov 13 2020 revolusi rusia britannica com baca berita tanpa iklan gabung kompas com verifikasi akun kg media id periksa kembali dan lengkapi data dirimu

[imf efek negatif imbas invasi rusia rugikan ekonomi global](#) - Aug 25 2022

web mar 5 2022 invasi rusia atas ukraina ini turut menambah tekanan bagi perekonomian global di tengah berbagai macam risiko lain seperti normalisasi kebijakan moneter

**dampak utama perang rusia vs ukraina ini jumlah korban** - Feb 16 2022

web dampak negatif seperti yang anda lihat revolusi rusia memiliki banyak efek positif pada rusia namun juga memiliki banyak efek negatif terhadap dunia satu efek negatifnya

**sejarah revolusi rusia latar belakang proses tokoh hingga** - Dec 29 2022

web apr 20 2022 imf efek negatif imbas invasi rusia rugikan ekonomi global srinivas mazumdaru 20 04 2022 efek negatif ekonomi akibat invasi rusia ke ukraina akan

**bab i pendahuluan 1 1 latar belakang penelitian upi** - May 22 2022

web sep 9 2023 berikut ini adalah berbagai tujuan dari revolusi rusia 1 reformasi ekonomi rusia yang tengah terpuruk salah satu tujuan utama revolusi ini adalah memperbaiki

*pengaruh revolusi rusia bagi indonesia pinhome* - Mar 20 2022

web nov 8 2023 1 dampak rotasi bumi rotasi bumi memiliki sejumlah dampak sekaligus memunculkan sejumlah peristiwa alam antara lain 2 dampak revolusi bumi tidak

*revolusi rusia latar belakang proses dan* - Aug 05 2023

web apr 24 2023 dunia merasakan banyak dampak akibat revolusi rusia salah satunya adalah menyebarnya paham komunisme ke berbagai negara selain itu keberhasilan

*bolshevik revolusi rusia dan lahirnya negara sosialis pertama* - May 02 2023

web pengaruh revolusi rusia revolusi rusia berpengaruh besar terhadap munculnya ideologi komunisme berikut pengaruh revolusi rusia 1 menyebarnya komunisme ke

**peristiwa rotasi dan revolusi bumi beserta dampaknya** - Nov 15 2021

**foto revolusi rusia dan dampaknya bagi indonesia** - Sep 25 2022

web revolusi rusia terbagi menjadi dua gelombang yaitu pada bulan februari 1917 dan oktober 1917 sementara itu di sisi lain rusia sendiri sedang aktif di kancah hubungan

**3 03 the medical billing process medicalbillingandcoding org** - Apr 11 2023

web advertisement 3 03 the medical billing process medical billing might seem complicated but it doesn t have to be in this video we ll learn more about this process by breaking it down into a handful of easy to understand steps section 3 01

introduction to medical billing section 3 02 medical billing vocabulary key terms section 3 03

*medical billing best practices* - Dec 07 2022

web pdf 1 5 468 0 obj endobj xref 468 30 0000000016 00000 n 0000003353 00000 n 0000003474 00000 n 0000003915 00000 n 0000004225 00000 n 0000004804 00000 n 0000004841 00000 n 0000004955 00000 n 0000005560 00000 n 0000006210 00000 n 0000006518 00000 n 0000006888 00000 n 0000007971 00000 n 0000008967 00000 n

**what is a medical billing cycle capline healthcare management** - Feb 26 2022

web patient registration is the first and the foremost step on any medical billing flow chart this is the collection of fundamental segment data on a patient including name birth date and the reason for a visit

[10 steps in the medical billing process bryant stratton college](#) - May 12 2023

web patient registration is the first step on any medical billing flow chart this is the collection of basic demographic information on a patient including name birth date and the reason for a visit insurance information is collected including the name of the insurance provider and the patient s policy number and verified by medical billers

**medical billing flow chart pdf slideshare** - Mar 30 2022

web oct 28 2008 medical billing flow chart download as a pdf or view online for free

[what is revenue cycle management rcm aapc](#) - Mar 10 2023

web aapc what is revenue cycle management rcm revenue cycle management rcm is the process healthcare organizations use to manage financial operations related to billing and collecting revenue for medical services

*medical billing revenue cycle flowchart piktochart* - Oct 05 2022

web present step by step information with this medical billing revenue cycle flowchart by piktochart this flowchart is perfect for healthcare institutions to explain information in a concise manner customize this flowchart with your preferred colors and fonts to make it your own available file type customization 100 customizable tags

**the comprehensive revenue cycle flowchart steps enter** - Sep 16 2023

web what is ipa in medical billing learn how it works enter health get an understanding of the process rules and regulations in medical billing with this expert guide on what is ipa in medical billing learn more today

**what is revenue cycle management rcm 2023 guide** - Sep 04 2022

web oct 23 2023 what is revenue cycle management revenue cycle management is the process of managing and optimizing health care administrative and clinical functions from patient registration and scheduling to claim submission payment collection and financial reporting to help maintain financial viability

**revenue cycle management flow chart for medical billing** - Jan 08 2023

web dec 25 2017 learn how revenue cycle management flow chart work here are main rcm revenue cycle management steps patient pre authorization eligibility benefits verification claims submission payment posting denial management ar follow up and reporting services

*deep diving into a successful healthcare revenue cycle flowchart* - Jul 14 2023

web jun 22 2022 see the healthcare revenue cycle flowchart below step 1 patient registration the healthcare revenue cycle flowchart begins with the patient s first interaction with the healthcare organization first impressions count

**medical billing in revenue cycle management rcm process** - Feb 09 2023

web current revenue cycle management workflow the rcm workflow from beginning to end consists of the following eight medical billing cycle steps step 1 eligibility check and demographic verification ensuring patients have valid insurance

coverage prior to scheduling an appointment

*revenue cycle 101 the life cycle of a medical bill waystar* - Oct 17 2023

web oct 21 2020 this week the life cycle of a medical bill with high deductible health plans on the rise the recent explosion of telehealth appointments due to covid 19 and many other factors in play it s more important than ever for everyone to understand how the medical billing process works

**revenue cycle management flowchart qway health care** - Aug 03 2022

web jun 10 2019 step 1 the patient gets in touch with the healthcare organization or the clinic and books an appointment with the healthcare provider certain clinics use scheduling software while others do it manually step 2 patient eligibility verification is one of the most crucial steps of the revenue cycle management

**healthcare revenue cycle management flowchart 2022** - Jul 02 2022

web feb 21 2022 blog revenue cycle management flowchart 21 february 2022 8 simple healthcare revenue cycle management steps revenue cycle management could be challenging to manage however when the proper steps are followed diligently one can receive on time reimbursements and boost profitability

medical billing process map flow chart model bill pay - Apr 30 2022

web medical billing process map flow chart model bill pay medical billing proces steps 877 272 1572 free trail medical billing process isource follows a structured and streamlined medical billing process that can ensure you get your account receivables on

**medical billing process key steps to follow in 2023 selecthub** - Aug 15 2023

web nov 8 2023 what is medical billing medical billing is the process of submitting claims on behalf of patients to receive payments for the services rendered by health care providers medical billers work in tandem with patients health care providers and insurance companies coding is an essential part of medical billing it helps generate

revenue cycle management in medical billing - Jun 13 2023

web this article will explore the intricacies of revenue cycle management in medical billing highlighting its significance and providing a step by step breakdown of the process furthermore we will explore strategies to optimize rcm and maximize revenue generation for medical practices

*flow chart of medical billing* - Jun 01 2022

web flow chart of medical billing medical billing might seem large and complicated than medical coding but it s actually a process that s comprised of eight simple steps the billing process of medical billing is simply stated as the process of communication between the medical provider and the insurance company

**medical billing flow chart revenue cycle management system** - Nov 06 2022

web 2011 rajendra singh download free pdf view pdf data mining driven rule based expert system for medical billing compliance umair abdullah this research practically demonstrates how to use data mining technology to supply knowledge to **logical reasoning test 123test com** - Oct 15 2023

web may 12 2023 logical reasoning test 100 free by 123test team updated may 12 2023 a logical reasoning test measures your ability or aptitude to reason logically generally logical reasoning tests measure non verbal abilities [practice tests shl direct](#) - May 10 2023

web deductive reasoning tests are designed to measure your ability to draw logical conclusions based on information provided identify strengths and weaknesses of arguments and complete scenarios using incomplete information *free practice logical test questions logicalreasoningtest org* - Jul 12 2023

web these free logical reasoning questions created to measure your understanding of logical concepts please read the question thoroughly select an answer then proceed to the answer to confirm for each question you will find a detailed answer on how the correct answer is reached each link contains 5 sample questions

**logical reasoning test 100s of free practice questions 2023** - Sep 14 2023

web aug 3 2023 a logical reasoning test is an assessment that measures your ability to interpret information apply logic to solve problems and draw relevant conclusions it is typically non verbal and in a multiple choice format and requires the use of rules and deduction to reach answers rather than prior knowledge

**logical reasoning test practice guide your preparation for the** - Feb 07 2023

web similar to abstract reasoning and diagrammatic aptitude tests logical reasoning tests measure your ability to work flexibly with unfamiliar information and solve problems each test question displays a series of shapes objects

**what is logical reasoning practice aptitude tests** - Jan 06 2023

web logical reasoning is a type of problem solving that involves working through a set of rules that govern a scenario this set of rules or steps is referred to as an algorithm logical reasoning involves testing different sets of steps or algorithms to determine which sequence of rules leads to the correct solution

**logical reasoning tests free online practice tests 2023** - Apr 09 2023

web jan 17 2023 what is a logical reasoning test a logical reasoning test is used measure a candidate s problem solving ability they assess the ability to come to conclusions based on logic you are presented with a series of shapes and are required to find patterns and rules to help you find the correct answer

[online test online logical reasoning test indiabix](#) - Aug 13 2023

web try out the given online logical reasoning tests to enhance your skills for clearing placement interviews and competitive exams where can i take online logical reasoning tests indiabix provides you with numerous online logical reasoning tests with

detailed explanations that are easy to understand

*logical reasoning tests assessmentday* - Mar 08 2023

web sep 8 2022 logical reasoning tests measure a candidate s problem solving ability they assess the ability to come to conclusions based on logic you are presented with a series of shapes and are required to find patterns and rules to help you find the correct answer here are screenshots of our logical reasoning tests what are logical reasoning tests like

logical reasoning test 6 essential tips practice tests 2023 - Jun 11 2023

web logical reasoning test what s included logical reasoning tests mostly feature non verbal content requiring candidates to interpret and manipulate shapes numbers and patterns sometimes reasoning tests are given a more specific name to reflect a more targeted skillset