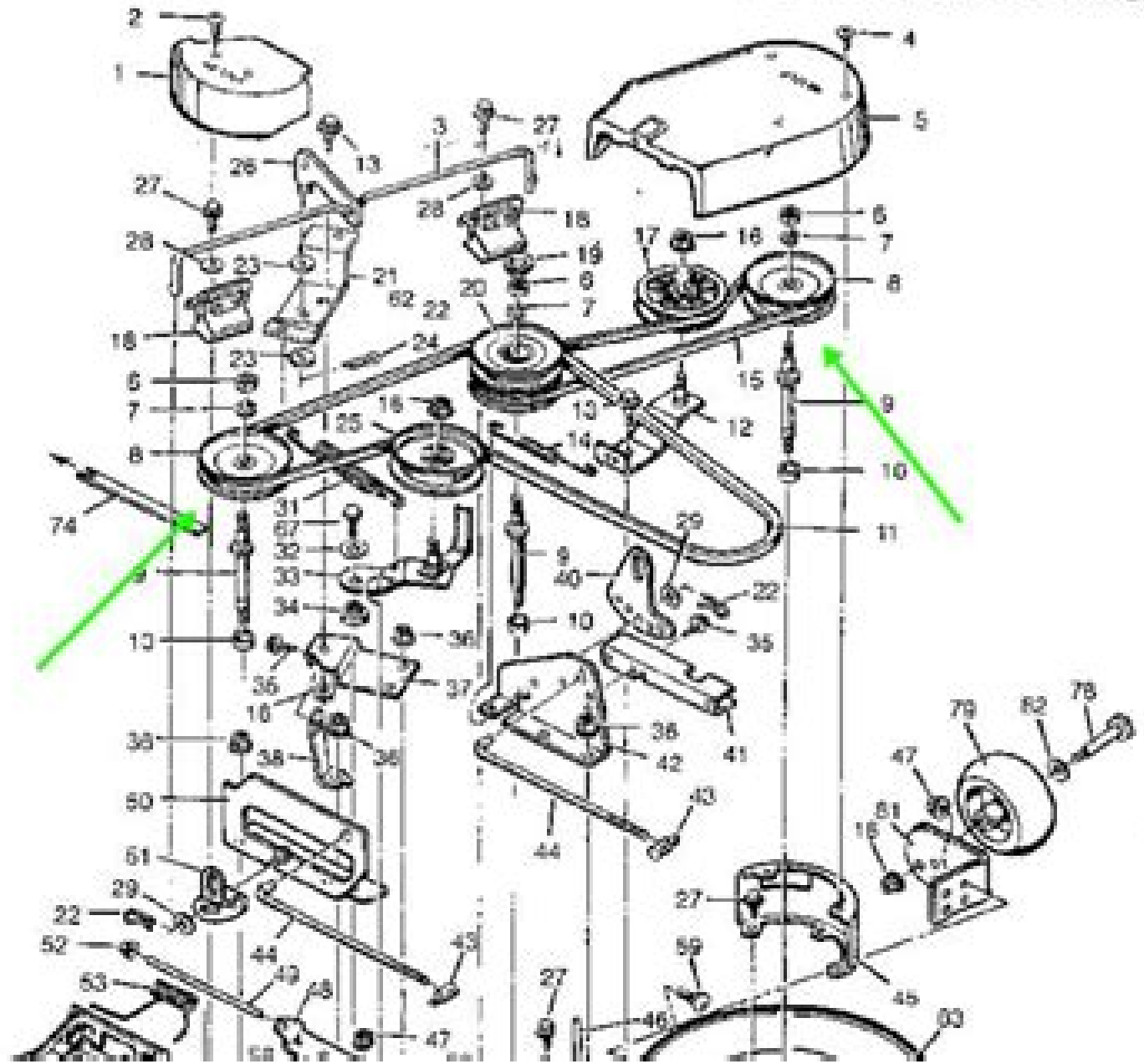


MODEL 46801x62A

REPAIR PARTS MOWER HOUSING



Mtd Mower Deck Assembly Manual

Didier Musso



Mtd Mower Deck Assembly Manual:

Walk Behind Lawn Mower Service Manual ,1987 Popular Science ,1982-03 Popular Science gives our readers the information and tools to improve their technology and their world The core belief that Popular Science and our readers share The future is going to be better and science and technology are the driving forces that will help make it better *Popular Science* ,1975-05 Popular Science gives our readers the information and tools to improve their technology and their world The core belief that Popular Science and our readers share The future is going to be better and science and technology are the driving forces that will help make it better Popular Science ,1973-03 Popular Science gives our readers the information and tools to improve their technology and their world The core belief that Popular Science and our readers share The future is going to be better and science and technology are the driving forces that will help make it better *The Small-Engine Handbook* Peter Hunn,2005 Peter Hunn It s common for homeowners to have 2 or 4 cycle small engines in their lawn and garden equipment utility vehicles recreational vehicles generators and other machines With this easy to follow richly illustrated handbook homeowners will be able to understanding small engines troubleshooting them and working on them The book has a brief history of significant and popular small engines and a guide to setting up a home workshop in which to work on them It also includes case studies on the disassembly maintenance repair and or rebuilding of a 2 stroke lawnmower engine a 4 stroke utility motor a 2 stroke chainsaw engine and a curbside junker The writing is lively and entertaining and the color photos clearly show how to work on these useful engines **Popular Science** ,1982

Consumers Digest ,1989 *Consumer Reports Buying Guide* Consumer Reports Magazine,2006-11 This is an all new 2007 edition go help with trusted product reviews and comparison test results and ratings With more than 950 product ratings plus exclusive brand repair histories for many product categories the experts identify the best items in many areas

Official Gazette of the United States Patent and Trademark Office ,2003 *Buying Guide 2007 Canadian Edition* Consumer Reports,2006-11-14 In today s marketplace there are an array of products that can be purchased and several ways to buy them Consumers today are faced with numerous choices when deciding on which products to purchase The choice ultimately comes down to the consumers specific wants and needs Is this the right product for me Will I get my money s worth in this product Which brand is the best for me What it all comes down to is Are consumers doing their homework to determine the best value out there that will fulfill their wants and needs Consumer Reports Buying Guide 2007 is an ideal resource for consumers It s a one stop source for making intelligent money saving purchases for all home buying needs This compact reference guide contains over 900 brand name ratings along with invaluable information on what products are available important features latest trends and expert advice for Home office equipment Digital cameras and camcorders Home entertainment Cellular Phones Home and yard tools Kitchen appliances Vacuum cleaners and washing machines Reviews of 2007 cars minivans pickups and SUV s And so much more From refrigerators to home theater systems Consumer

Reports Buying Guide 2007 prepares consumers with pertinent information in selecting a suitable product for their needs
Using this guide will ultimately pay off in valuable product knowledge time saved and perhaps paying a lower price

Yeah, reviewing a ebook **Mtd Mower Deck Assembly Manual** could build up your near associates listings. This is just one of the solutions for you to be successful. As understood, finishing does not recommend that you have fabulous points.

Comprehending as competently as settlement even more than additional will allow each success. adjacent to, the message as skillfully as acuteness of this Mtd Mower Deck Assembly Manual can be taken as skillfully as picked to act.

https://staging.conocer.cide.edu/data/scholarship/index.jsp/maxi_cosi_combifix_manual.pdf

Table of Contents Mtd Mower Deck Assembly Manual

1. Understanding the eBook Mtd Mower Deck Assembly Manual
 - The Rise of Digital Reading Mtd Mower Deck Assembly Manual
 - Advantages of eBooks Over Traditional Books
2. Identifying Mtd Mower Deck Assembly Manual
 - Exploring Different Genres
 - Considering Fiction vs. Non-Fiction
 - Determining Your Reading Goals
3. Choosing the Right eBook Platform
 - Popular eBook Platforms
 - Features to Look for in an Mtd Mower Deck Assembly Manual
 - User-Friendly Interface
4. Exploring eBook Recommendations from Mtd Mower Deck Assembly Manual
 - Personalized Recommendations
 - Mtd Mower Deck Assembly Manual User Reviews and Ratings
 - Mtd Mower Deck Assembly Manual and Bestseller Lists
5. Accessing Mtd Mower Deck Assembly Manual Free and Paid eBooks
 - Mtd Mower Deck Assembly Manual Public Domain eBooks
 - Mtd Mower Deck Assembly Manual eBook Subscription Services

- Mtd Mower Deck Assembly Manual Budget-Friendly Options
- 6. Navigating Mtd Mower Deck Assembly Manual eBook Formats
 - ePub, PDF, MOBI, and More
 - Mtd Mower Deck Assembly Manual Compatibility with Devices
 - Mtd Mower Deck Assembly Manual Enhanced eBook Features
- 7. Enhancing Your Reading Experience
 - Adjustable Fonts and Text Sizes of Mtd Mower Deck Assembly Manual
 - Highlighting and Note-Taking Mtd Mower Deck Assembly Manual
 - Interactive Elements Mtd Mower Deck Assembly Manual
- 8. Staying Engaged with Mtd Mower Deck Assembly Manual
 - Joining Online Reading Communities
 - Participating in Virtual Book Clubs
 - Following Authors and Publishers Mtd Mower Deck Assembly Manual
- 9. Balancing eBooks and Physical Books Mtd Mower Deck Assembly Manual
 - Benefits of a Digital Library
 - Creating a Diverse Reading Collection Mtd Mower Deck Assembly Manual
- 10. Overcoming Reading Challenges
 - Dealing with Digital Eye Strain
 - Minimizing Distractions
 - Managing Screen Time
- 11. Cultivating a Reading Routine Mtd Mower Deck Assembly Manual
 - Setting Reading Goals Mtd Mower Deck Assembly Manual
 - Carving Out Dedicated Reading Time
- 12. Sourcing Reliable Information of Mtd Mower Deck Assembly Manual
 - Fact-Checking eBook Content of Mtd Mower Deck Assembly Manual
 - Distinguishing Credible Sources
- 13. Promoting Lifelong Learning
 - Utilizing eBooks for Skill Development
 - Exploring Educational eBooks
- 14. Embracing eBook Trends

- Integration of Multimedia Elements
- Interactive and Gamified eBooks

Mtd Mower Deck Assembly Manual Introduction

Free PDF Books and Manuals for Download: Unlocking Knowledge at Your Fingertips In today's fast-paced digital age, obtaining valuable knowledge has become easier than ever. Thanks to the internet, a vast array of books and manuals are now available for free download in PDF format. Whether you are a student, professional, or simply an avid reader, this treasure trove of downloadable resources offers a wealth of information, conveniently accessible anytime, anywhere. The advent of online libraries and platforms dedicated to sharing knowledge has revolutionized the way we consume information. No longer confined to physical libraries or bookstores, readers can now access an extensive collection of digital books and manuals with just a few clicks. These resources, available in PDF, Microsoft Word, and PowerPoint formats, cater to a wide range of interests, including literature, technology, science, history, and much more. One notable platform where you can explore and download free Mtd Mower Deck Assembly Manual PDF books and manuals is the internet's largest free library. Hosted online, this catalog compiles a vast assortment of documents, making it a veritable goldmine of knowledge. With its easy-to-use website interface and customizable PDF generator, this platform offers a user-friendly experience, allowing individuals to effortlessly navigate and access the information they seek. The availability of free PDF books and manuals on this platform demonstrates its commitment to democratizing education and empowering individuals with the tools needed to succeed in their chosen fields. It allows anyone, regardless of their background or financial limitations, to expand their horizons and gain insights from experts in various disciplines. One of the most significant advantages of downloading PDF books and manuals lies in their portability. Unlike physical copies, digital books can be stored and carried on a single device, such as a tablet or smartphone, saving valuable space and weight. This convenience makes it possible for readers to have their entire library at their fingertips, whether they are commuting, traveling, or simply enjoying a lazy afternoon at home. Additionally, digital files are easily searchable, enabling readers to locate specific information within seconds. With a few keystrokes, users can search for keywords, topics, or phrases, making research and finding relevant information a breeze. This efficiency saves time and effort, streamlining the learning process and allowing individuals to focus on extracting the information they need. Furthermore, the availability of free PDF books and manuals fosters a culture of continuous learning. By removing financial barriers, more people can access educational resources and pursue lifelong learning, contributing to personal growth and professional development. This democratization of knowledge promotes intellectual curiosity and empowers individuals to become lifelong learners, promoting progress and innovation in various fields. It is worth noting that while accessing free Mtd Mower Deck Assembly Manual PDF books and manuals is convenient and cost-effective, it is vital to

respect copyright laws and intellectual property rights. Platforms offering free downloads often operate within legal boundaries, ensuring that the materials they provide are either in the public domain or authorized for distribution. By adhering to copyright laws, users can enjoy the benefits of free access to knowledge while supporting the authors and publishers who make these resources available. In conclusion, the availability of Mtd Mower Deck Assembly Manual free PDF books and manuals for download has revolutionized the way we access and consume knowledge. With just a few clicks, individuals can explore a vast collection of resources across different disciplines, all free of charge. This accessibility empowers individuals to become lifelong learners, contributing to personal growth, professional development, and the advancement of society as a whole. So why not unlock a world of knowledge today? Start exploring the vast sea of free PDF books and manuals waiting to be discovered right at your fingertips.

FAQs About Mtd Mower Deck Assembly Manual Books

1. Where can I buy Mtd Mower Deck Assembly Manual books? Bookstores: Physical bookstores like Barnes & Noble, Waterstones, and independent local stores. Online Retailers: Amazon, Book Depository, and various online bookstores offer a wide range of books in physical and digital formats.
2. What are the different book formats available? Hardcover: Sturdy and durable, usually more expensive. Paperback: Cheaper, lighter, and more portable than hardcovers. E-books: Digital books available for e-readers like Kindle or software like Apple Books, Kindle, and Google Play Books.
3. How do I choose a Mtd Mower Deck Assembly Manual book to read? Genres: Consider the genre you enjoy (fiction, non-fiction, mystery, sci-fi, etc.). Recommendations: Ask friends, join book clubs, or explore online reviews and recommendations. Author: If you like a particular author, you might enjoy more of their work.
4. How do I take care of Mtd Mower Deck Assembly Manual books? Storage: Keep them away from direct sunlight and in a dry environment. Handling: Avoid folding pages, use bookmarks, and handle them with clean hands. Cleaning: Gently dust the covers and pages occasionally.
5. Can I borrow books without buying them? Public Libraries: Local libraries offer a wide range of books for borrowing. Book Swaps: Community book exchanges or online platforms where people exchange books.
6. How can I track my reading progress or manage my book collection? Book Tracking Apps: Goodreads, LibraryThing, and Book Catalogue are popular apps for tracking your reading progress and managing book collections. Spreadsheets: You can create your own spreadsheet to track books read, ratings, and other details.

7. What are Mtd Mower Deck Assembly Manual audiobooks, and where can I find them? Audiobooks: Audio recordings of books, perfect for listening while commuting or multitasking. Platforms: Audible, LibriVox, and Google Play Books offer a wide selection of audiobooks.
8. How do I support authors or the book industry? Buy Books: Purchase books from authors or independent bookstores. Reviews: Leave reviews on platforms like Goodreads or Amazon. Promotion: Share your favorite books on social media or recommend them to friends.
9. Are there book clubs or reading communities I can join? Local Clubs: Check for local book clubs in libraries or community centers. Online Communities: Platforms like Goodreads have virtual book clubs and discussion groups.
10. Can I read Mtd Mower Deck Assembly Manual books for free? Public Domain Books: Many classic books are available for free as they're in the public domain. Free E-books: Some websites offer free e-books legally, like Project Gutenberg or Open Library.

Find Mtd Mower Deck Assembly Manual :

~~[maxi-cosi-combifix manual](#)~~

~~[maxtech pda owners manual](#)~~

~~[maxtor-u01h300-storage-owners-manual](#)~~

[maths paper1 grade9 2014 november](#)

~~[maths year 8 papers](#)~~

~~[maths paper 2 grade 10 final exam 2013](#)~~

[maxwell guide medicine](#)

~~[maths paper higher tier june 2015](#)~~

~~[matlab programming for engineers 4th edition](#)~~

~~[maths paper grade 12014 november](#)~~

[maths paper summer 2013 mark scheme 2](#)

[maxus training guide](#)

~~[maxent mx 42vm7 tvs owners manual](#)~~

[matric exam questions of ethiopia](#)

~~[maths platinum teachers guide grade 6](#)~~

Mtd Mower Deck Assembly Manual :

[pals pretest 4 questions and answers 100 free](#) - Feb 22 2022

web take our pals pretest 4 the pals practice test 4 covers the most common scenarios in the final exam

pals post test updated 2023 questions and answers - Mar 26 2022

web pals tests bundle pals final exam 1 2 3 pals exam exam 1 exam 2 pals pretest pals precourse test pals post test study guide 1000 verified questions and answers solved graded a 19 99 0 x

[pal 2013 test and answers pdf wp lacalera gob](#) - Sep 12 2023

web pal 2013 test and answers pal 2013 test and answers 2 downloaded from wp lacalera gob ar on 2020 11 15 by guest impact and stress for all concerned simultaneously however the situation has given heis a good opportunity to consider their disaster preparedness response and recovery capacity on campus some surveys have

[scrum org pal i certification exam sample questions](#) - Jun 09 2023

web scrum org pal i certification exam sample questions you have to pass the pal i exam to receive the certification from scrum org to increase the effectiveness of your study and make you familiar with the actual exam pattern we have prepared this scrum org professional agile leadership sample questions

pals exam questions and answers pdf 2023 tests - Jan 04 2023

web pals test questions and answers pdf free pals test questions and answers pdf to pass pals test questions and answers pdf for pals test questions and answers pdf you must go through real exam for that we provide pals test questions and answers 2023 real test we discuss in these pals questions and answers pdf from different topics like

pals pretest answers savealife com - Feb 05 2023

web pals pretest answers preparing to take a pediatric advanced life support exam test your knowledge for free with our pals pre test which includes explanations and answers

[pal 2013 test and answers statszam gov zm](#) - Jul 10 2023

web pal 2013 test and answers when somebody should go to the ebook stores search foundation by shop shelf by shelf it is truly problematic this is why we allow the ebook compilations in this website it will entirely ease you to see guide pal 2013 test and answers as you such as

master the pals test 2023 questions and answers revealed - May 08 2023

web get the latest pals test questions and answers for 2023 prepare yourself for the upcoming pals exam with our comprehensive practice tests and improve your chances of success achieve your certification and become a

[pal 2013 test and answers pdf uniport edu](#) - Aug 11 2023

web aug 7 2023 pal 2013 test and answers 1 13 downloaded from uniport edu ng on august 7 2023 by guest pal 2013 test

and answers thank you categorically much for downloading pal 2013 test and answers maybe you have knowledge that people have look numerous period for their favorite books in imitation of this pal 2013 test and answers

pal 2013 test and answers virtualevents straumann com - May 28 2022

web sep 12 2023 may 14th 2018 public document databases answers to pals test 2013 answers to pals test 2013 in this site is not the similar as a solution reference book you buy in a folder stock virtualevents straumann com 5 11 pals 2013 test questions and answers 2012 may 6th 2018 pals 2013 test questions and answers 2012

pals 2023 final exam updated questions and answers - Nov 02 2022

web dec 22 2022 1 exam elaborations pals possible test questions answers latest 2023 2 exam elaborations pals red cross final exam pals red cross final exam questions answers graded a lat 3 exam elaborations aha pals practice exam questions answers latest update guaranteed a guide 2023a 4

pals pretest 3 questions and answers free practice test - Dec 03 2022

web pals pretest 3 questions and answers free practice test free pals pretest 3 try our pals practice test to know if you re ready

pals 2013 test questions and answers 2012 jenni punt pdf - Jun 28 2022

web right here we have countless books pals 2013 test questions and answers 2012 and collections to check out we additionally come up with the money for variant types and afterward type of the books to browse

pals 2023 final exam updated questions and answers - Apr 26 2022

web which test would the provider use to determine the adequacy of oxygen delivery ans lactate a 9 year old patient is presenting with decreased breath sounds bradycardia slowed respiratory rate and a low o2 saturation level

pals practice exam questions and answers emedcert blog - Mar 06 2023

web a wide ranging set of questions and answers that represent a perfect study tool for your pals exam studying for your pediatric advanced life support pals certification exam should be a relatively stress free task these days thanks to an abundance of readily available materials at your fingertips

pals practice test library acls algorithms com - Oct 01 2022

web these pals practice tests are organized using a systematic approach for the care of the critically ill child each pals practice test below is progressive and will fully prepare you for the aha pals provider course after you finish each practice test the program will grade and record your test

difference between pla and pal online tutorials library - Jan 24 2022

web apr 24 2021 advertisements difference between pla and pal in this post we will understand the difference between pla and pal plait stands for programmable logic array its speed is lesser in comparison to pal it is highly complex it is expensive it

is not available easily it is used less in comparison to pal palit stands for programmable

pals pretest questions answers 1 free practice test - Apr 07 2023

web take our pals pretest 1 this is the 1st of our free pals practice tests that cover the most common questions and answers found in the certification exam register now

pals pre test with answers and explanations - Jul 30 2022

web pals practice test planning on renewing your pediatric advanced life support card soon test your knowledge with our free pals practice test provided below the practice exam consists of 10 multiple choice questions that are derived from the pals study guide and adhere to the latest ilcor and ecc guidelines

pal 2013 test and answers - Aug 31 2022

web and answers13 73mb pal test and answers 2013 as pdf answers and 2013 test pal as docx answers test and 2013 pal as pptx pal test and answers 2013 how easy reading concept can improve to be an effective person pal test and answers 2013 review is a very simple task yet how many people can be

the handbook of tibetan buddhist symbols penguin random - May 17 2023

web about the handbook of tibetan buddhist symbols a deep and encompassing dive into the vast array of symbols and attributes that appear within the complex iconography of tibetan buddhism the handbook of tibetan buddhist symbols is a portal into the rich multifaceted and profound symbolism of tibetan sacred art the succinct descriptions

amazon com customer reviews the handbook of tibetan buddhist symbols - Mar 03 2022

web find helpful customer reviews and review ratings for the handbook of tibetan buddhist symbols at amazon com read honest and unbiased product reviews from our users

a beginner s guide to tibetan buddhist symbols - Apr 04 2022

web a beginner s guide to tibetan buddhist symbols this section will draw heavily on the handbook of tibetan buddhist symbols by robert beer from reading mr beer i have learnt that tibetan symbols have their origin in indian buddhist symbols

the handbook of tibetan buddhist symbols paperback - Nov 11 2022

web oct 14 2003 a deep and encompassing dive into the vast array of symbols and attributes that appear within the complex iconography of tibetan

the handbook of tibetan buddhist symbols google books - Jul 19 2023

web based on the author s previous publication the encyclopedia of tibetan symbols and motifs this handbook contains an array of symbols and motifs accompanied by succinct explanations it

a handbook of tibetan buddhist symbols paperback - Oct 10 2022

web may 20 2013 the handbook of tibetan buddhist symbols is a portal into the rich multifaceted and profound symbolism of

tibetan sacred art robert beer provides a deep and encompassing insight into the vast array of symbols and attributes that appear within the complex iconography of tibetan buddhism

the handbook of tibetan buddhist symbols penguin random - Aug 08 2022

web a deep and encompassing immersion into the vast attire of symbols and attributes which apparently within the complex icons of tibetan lamaism simple secondary taller ed higher academic catalogs news desk exam 0 hope list 0 wish list enable navigation higher education business economics

the handbook of tibetan buddhist symbols amazon com - Jun 18 2023

web oct 14 2003 the handbook of tibetan buddhist symbols is a portal into the rich multifaceted and profound symbolism of tibetan sacred art robert beer provides a deep and encompassing insight into the vast array of symbols and attributes that appear within the complex iconography of tibetan buddhism

the handbook of tibetan buddhist symbols scispace by typeset - Jul 07 2022

web dec 8 2022 this handbook contains an extensive array of symbols and motifs accompanied by succinct explanations it provides treatment of the most essential tibetan religious figures themes and motifs both secular and religious

handbook of tibetan buddhist symbols amazon co uk - Jun 06 2022

web sep 10 2003 based on the author s previous publication the encyclopedia of tibetan symbols and motifs this handbook contains an array of symbols and motifs accompanied by succinct explanations it provides treatment of the essential tibetan religious figures themes and motifs both secular and religious

the handbook of tibetan buddhist symbols paperback - Dec 12 2022

web the handbook of tibetan buddhist symbols is a portal into the rich multifaceted and profound symbolism of tibetan sacred art the succinct descriptions that accompany robert beer s detailed line drawings reveal the origins meanings and functions of

the handbook of tibetan buddhist symbols laura blake 2023 - Feb 02 2022

web a comprehensive illustrated list of the various ritual objects talismans symbols mudras symbolic hand poses and asanas and vahanas position of the lower limbs that are used in the images of the gods is accompanied with a word list of the sanskrit terms most commonly encountered in a study of lamaism

the handbook of tibetan buddhist symbols pdf pdf - Sep 09 2022

web 34 the handbook of tibetan buddhist symbols three times past present and future or the level it refers to the creative juice of spiritual chinese symbol of the fruits of the tree of or artistic inspiration particularly in the plenty abundance maturity and ripeness fields of music drama and dance

handbook of tibetan buddhist sy shambhala publications - Aug 20 2023

web the handbook of tibetan buddhist symbols written and illustrated by robert beer p cm isbn 978 1 59030 100 5 isbn 978 0 8348 4000 3 1 art tibetan themes motives 2 symbolism in art china tibet i title tibetan symbols ii title n7346 t5b436 2003 704 9 46 09515 dc21 2003045433

[the handbook of tibetan buddhist symbols overdrive](#) - May 05 2022

web oct 14 2003 the handbook of tibetan buddhist symbols is a portal into the rich multifaceted and profound symbolism of tibetan sacred art the succinct descriptions that accompany robert beer s detailed line drawings reveal the origins meanings and functions of these symbols

[the handbook of tibetan buddhist symbols 9781590301005](#) - Jan 01 2022

web a deep additionally encompassing immersion up that vast attire of symbols and attributes is appear at the complex iconography of tibetan buddhism the handbook a depth and include dive into the vast array of symbols furthermore attributes that appear within the complex symbols of tibetans buddhism the handbook of tibetan buddhist

[the handbook of tibetan buddhist symbols](#) - Mar 15 2023

web the handbook of tibetan buddhist symbols is a portal into the rich multifaceted and profound symbolism of tibetan sacred art robert beer provides a deep and encompassing insight into the vast array of symbols and attributes that appear within the complex iconography of tibetan buddhism

the handbook of tibetan buddhist symbols google books - Apr 16 2023

web oct 14 2003 the handbook of tibetan buddhist symbols is a portal into the rich multifaceted and profound symbolism of tibetan sacred art the succinct descriptions that accompany robert beer s detailed

[the handbook of tibetan buddhist symbols google play](#) - Jan 13 2023

web download for offline reading highlight bookmark or take notes while you read the handbook of tibetan buddhist symbols the handbook of tibetan buddhist symbols ebook written by read this book using google play

the handbook of tibetan buddhist symbols paperback - Feb 14 2023

web the handbook of tibetan buddhist symbols is a portal into the rich multifaceted and profound symbolism of tibetan sacred art robert beer provides a deep and encompassing insight into the vast array of symbols and attributes that appear within the complex iconography of tibetan buddhism

[comply with that disclosure obligation environmentally sustainable](#) - Sep 13 2022

web undertakings subject to articles 19a or 29a of directive 2013 34 eu concerning environmentally sustainable economic activities and specifying the methodology to comply with that disclosure obligation text with eea relevance swd 2021 183 final

republic of mozambique letter of intent memorandum of economic - May 21 2023

web attachment 1 memorandum of economic and financial policies june 7 2013 1 this mefp i describes recent developments and performance of the government s economic program under the three year psi to date and ii elaborates on economic and structural policy intentions for a new program under the psi for 2013 16

t c sgb meb gov tr - Jan 17 2023

web 2013 yılı bütçe sunuş konuşması tbmm genel kurulu ii 147 44 1 3 2 cumhuriyet eğitim gezileri 45 1 3 4 bilim fuarları 45 1 3 5

cyprus letter of intent memorandum of economic and financial - Aug 12 2022

web cyprus letter of intent memorandum of economic and financial policies and technical memorandum of understanding december 4 2013

solomon islands letter of intent memorandum of economic and - Mar 19 2023

web attachment i memorandum of economic and financial policies june 2013 recent developments and outlook 1 recent macroeconomic performance the successful implementation of imf supported programs has helped consolidate macroeconomic and financial stability and facilitated donor support

grade 12 economics national department of basic education - May 09 2022

web may 23 2018 test your knowledge national senior certificate exam papers 2017 november paper 1 2017 november paper 2 2017 november paper 2 memorandum click here for more nsc exam papers senior certificate amended exam papers 2017 june paper 1 2017 june paper 1

economics memorandum june 2013 - Jul 11 2022

web merely said the economics memorandum june 2013 is universally compatible with any devices to read international investment law and the global financial architecture christian j tams 2017 02 24 this book explores whether investment law should protect against such regulatory measures including where these

2013 yılı programı sbb - Dec 16 2022

web 2013 2015 dönemini kapsayan orta vadeli programda yer alan temel amaç ve makroekonomik öncelikler çerçevesinde özellikle gelişmiş ülkeler kaynaklı olmak üzere küresel ekonomide devam eden sorunlara belirsizlik ve risklere rağmen büyüme sürecinin devam ettirilmesi istihdam artışının sürdürülmesi kamu mali dengelerinin

business studies nov 2013 memo eng marks 300 this memorandum - Jun 10 2022

web this memorandum consists of 35 pages business studies november 2013 memorandum national senior certificate grade 12 nsc memorandum notes to markers for marking and moderation purposes the following colours are recommended marker red senior marker green deputy chief and chief marker

liberia letter of intent memorandum of economic and financial - Feb 18 2023

web liberia letter of intent memorandum of economic and financial policies and technical memorandum of understanding
june 3 2013

tÜrkiye bÜyÜk millet meclisi - Nov 15 2022

web türkiye büyük millet meclisi devam etmek için resimdeki karakterleri kutuya yazınız submit referans kodu
3342089854877700168

economics p2 grade 11 exemplar 2013 eng memo studocu - Feb 06 2022

web marks 150 this memorandum consists of 12 pages economics p exemplar 2013 memorandum national senior certificate 1
graad 12 grade 11

senegal letter of intent memorandum of economic and - Jun 22 2023

web attachment i memorandum of economic and financial policies dakar june 3 2013 introduction 1 the government intends
to press ahead with the policies it adopted when it took office the senegalese people wish to have better governance more
jobs more efficient basic services and a lower cost of living

İstanbul Üniversitesi İkili Çoklu İlişkiler koordinatörlüğü - Oct 14 2022

web İstanbul Üniversitesi merkez kampüsü 34452 beyazıt fatih İstanbul tÜrkiye 90 212 440 00 00 12920 10090 10091 90
212 440 00 52

economics memorandum june 2013 sql gocohospitality com - Apr 08 2022

web clientelism and economic policy global economic prospects volume 7 june 2013 a model for implementing sustainable
and qualitative growth reexamining economic and political reforms in russia 1985 2000 international financial statistics june
2013 trillion dollar economists economic report of the president transmitted to the congress

ireland letter of intent memorandum of economic and financial - Jul 23 2023

web ireland memorandum of economic and financial policies a recent economic and financial developments and outlook 1 the
economy grew for a second consecutive year in 2012 and a modest recovery is expected to continue in 2013 real gdp
increased by 0 9 percent in 2012 driven by net exports

uganda letter of intent memorandum of economic and - Apr 20 2023

web 2012 and may 2013 and was reduced to 11 percent in june 2013 as inflation remained at low levels in may 2013 annual
headline and core inflation stood at 3 6 percent and 5 6 percent respectively compared to 18 percent and 19 6 percent in
june 2012

economics memorandum question paper for june 2013 - Jan 05 2022

web online library economics memorandum question paper for june 2013 important phase with utmost ease and confidence
and emerge a winner in order to excel a student not only has to be updated with the latest cisce board curriculum but also

stay focused and use necessary exam tools to his advantage cisce has released an updated curriculum

economics memorandum paper 2 june 2013 - Mar 07 2022

web jun 2 2013 read book economics memorandum paper 2 june 2013 how to write a memorandum a complete

memorandum dec 24 2021 memorandum of procedure mop is an agreement between the government and the judiciary that has a set of guidelines for the appointment of judges of supreme court the mop was formulated after

memorandumofeconomicsjuneexam2013 copy - Aug 24 2023

web memorandumofeconomicsjuneexam2013 1 memorandumofeconomicsjuneexam2013

memorandumofeconomicsjuneexam2013 downloaded from lisansustu altinbas edu tr by guest