

# Matrix GLITCHER

## Installation Diagrams Xbox360 Slim

### TOP SIDE

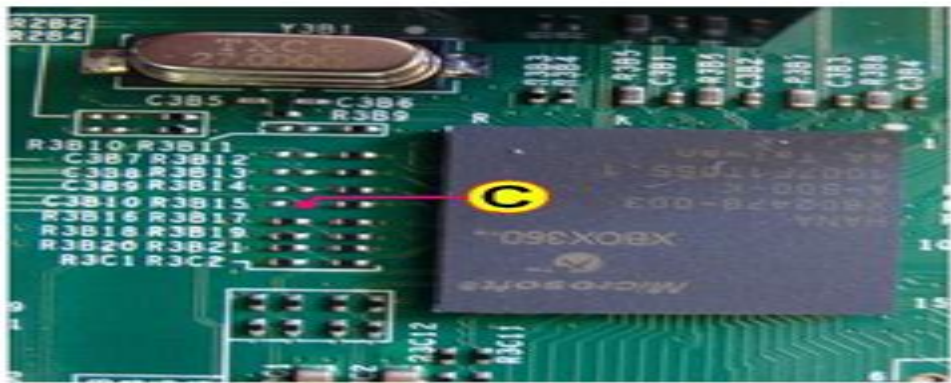
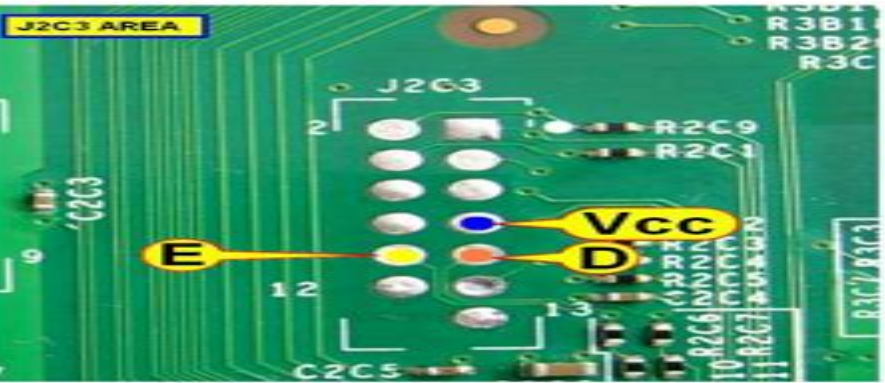


Close the two pads with a drop of solder to enable SLIM mode

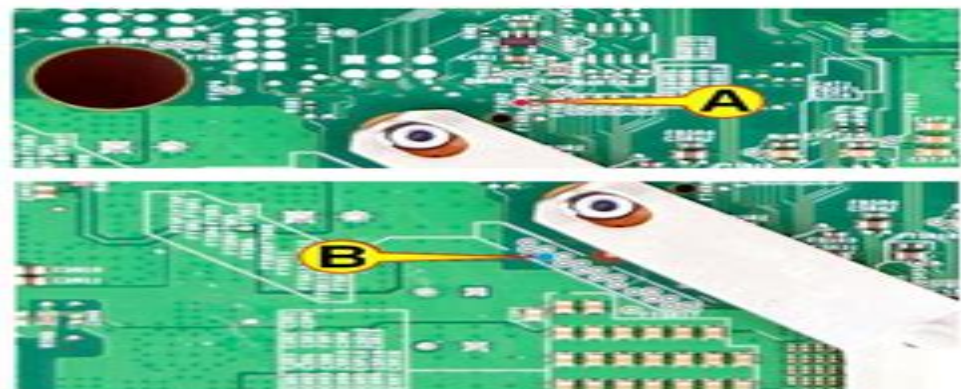


### TOP SIDE CONNECTIONS

- VCC: Connect to Pin 7 of J2C3 connector area
- GND: Connect to one of the metal fins of the video connector
- C : Connect to RIGHT SIDE of C3B10 Capacitor
- D : Connect to Pin 9 of J2C3 connector area
- E : Connect to Pin 10 of J2C3 connector area



### BOTTOM SIDE



# Matrix Glitcher 360 Manual

**Julia Schneider**



## **Matrix Glitcher 360 Manual:**

**System/360 Matrix Language (MATLAN)** International Business Machines Corporation,1968      System/360 Matrix Language (Matlan) (360A-CM-05X) ,1968      *Xbox 360: A Complete Guide* Douglas Thompson,2005-11 A complete guide to the Xbox 360 hardware accessories setup and use This guide is written to assist you in setting up the Xbox 360 console it s accessories and playing the newest video games How to set up the video standard and high definition audio surround sound or stereo and networking wired Ethernet or WiFi 802 11 A B or G wireless capabilities of the game machine An understanding of Microsoft Xbox Live service and the operation of the Dashboard The new reputation scores and zones of the Live service Detailed instructions to attach your MP3 player Ipod digital camera to play music and view pictures Connecting Windows XP Media Center computers to watch videos through the Xbox 360      **The Xbox 360 Pocket Guide** Bart Farkas,2008 Here is your essential companion to Microsoft s Xbox 360 video game console The Xbox 360 Pocket Guide steers you through how to Set up the Xbox 360 and hook up components Discover and learn about the most popular games Play with friends on Xbox Live chat with other players and purchase Microsoft Points Make your way around the Xbox Live Marketplace Pick the best Xbox controllers and other accessories Turn your Xbox 360 into a home media center Use older Xbox games on the 360

**Enter the Matrix(tm) Official Strategy Guide for Retailvision** Doug Walsh,2003-05-15

This Engaging World of E-book Books: A Comprehensive Guide Unveiling the Pros of Kindle Books: A World of Convenience and Flexibility Kindle books, with their inherent mobility and simplicity of access, have freed readers from the constraints of hardcopy books. Gone are the days of carrying cumbersome novels or carefully searching for specific titles in bookstores. E-book devices, sleek and lightweight, effortlessly store an wide library of books, allowing readers to immerse in their preferred reads anytime, everywhere. Whether traveling on a bustling train, lounging on a sun-kissed beach, or just cozying up in bed, Kindle books provide an unparalleled level of ease. A Reading World Unfolded: Discovering the Wide Array of E-book Matrix Glitcher 360 Manual Matrix Glitcher 360 Manual The Kindle Shop, a virtual treasure trove of literary gems, boasts an extensive collection of books spanning varied genres, catering to every readers taste and preference. From captivating fiction and thought-provoking non-fiction to classic classics and modern bestsellers, the E-book Store offers an exceptional variety of titles to explore. Whether looking for escape through immersive tales of fantasy and exploration, diving into the depths of historical narratives, or broadening ones knowledge with insightful works of science and philosophical, the Kindle Store provides a doorway to a literary universe brimming with limitless possibilities. A Transformative Force in the Literary Scene: The Lasting Influence of Kindle Books Matrix Glitcher 360 Manual The advent of E-book books has certainly reshaped the literary scene, introducing a model shift in the way books are published, distributed, and read. Traditional publication houses have embraced the digital revolution, adapting their approaches to accommodate the growing demand for e-books. This has led to a rise in the availability of Kindle titles, ensuring that readers have access to a vast array of bookish works at their fingertips. Moreover, E-book books have democratized access to books, breaking down geographical barriers and offering readers worldwide with equal opportunities to engage with the written word. Irrespective of their location or socioeconomic background, individuals can now engross themselves in the captivating world of literature, fostering a global community of readers. Conclusion: Embracing the E-book Experience Matrix Glitcher 360 Manual Kindle books Matrix Glitcher 360 Manual, with their inherent convenience, versatility, and wide array of titles, have unquestionably transformed the way we experience literature. They offer readers the liberty to discover the limitless realm of written expression, whenever, everywhere. As we continue to travel the ever-evolving online scene, E-book books stand as testament to the persistent power of storytelling, ensuring that the joy of reading remains reachable to all.

[https://staging.conocer.cide.edu/book/book-search/index.jsp/Kamasutra\\_Popup.pdf](https://staging.conocer.cide.edu/book/book-search/index.jsp/Kamasutra_Popup.pdf)

## Table of Contents Matrix Glitcher 360 Manual

1. Understanding the eBook Matrix Glitcher 360 Manual
  - The Rise of Digital Reading Matrix Glitcher 360 Manual
  - Advantages of eBooks Over Traditional Books
2. Identifying Matrix Glitcher 360 Manual
  - Exploring Different Genres
  - Considering Fiction vs. Non-Fiction
  - Determining Your Reading Goals
3. Choosing the Right eBook Platform
  - Popular eBook Platforms
  - Features to Look for in an Matrix Glitcher 360 Manual
  - User-Friendly Interface
4. Exploring eBook Recommendations from Matrix Glitcher 360 Manual
  - Personalized Recommendations
  - Matrix Glitcher 360 Manual User Reviews and Ratings
  - Matrix Glitcher 360 Manual and Bestseller Lists
5. Accessing Matrix Glitcher 360 Manual Free and Paid eBooks
  - Matrix Glitcher 360 Manual Public Domain eBooks
  - Matrix Glitcher 360 Manual eBook Subscription Services
  - Matrix Glitcher 360 Manual Budget-Friendly Options
6. Navigating Matrix Glitcher 360 Manual eBook Formats
  - ePub, PDF, MOBI, and More
  - Matrix Glitcher 360 Manual Compatibility with Devices
  - Matrix Glitcher 360 Manual Enhanced eBook Features
7. Enhancing Your Reading Experience
  - Adjustable Fonts and Text Sizes of Matrix Glitcher 360 Manual
  - Highlighting and Note-Taking Matrix Glitcher 360 Manual
  - Interactive Elements Matrix Glitcher 360 Manual
8. Staying Engaged with Matrix Glitcher 360 Manual

- Joining Online Reading Communities
  - Participating in Virtual Book Clubs
  - Following Authors and Publishers Matrix Glitcher 360 Manual
9. Balancing eBooks and Physical Books Matrix Glitcher 360 Manual
- Benefits of a Digital Library
  - Creating a Diverse Reading Collection Matrix Glitcher 360 Manual
10. Overcoming Reading Challenges
- Dealing with Digital Eye Strain
  - Minimizing Distractions
  - Managing Screen Time
11. Cultivating a Reading Routine Matrix Glitcher 360 Manual
- Setting Reading Goals Matrix Glitcher 360 Manual
  - Carving Out Dedicated Reading Time
12. Sourcing Reliable Information of Matrix Glitcher 360 Manual
- Fact-Checking eBook Content of Matrix Glitcher 360 Manual
  - Distinguishing Credible Sources
13. Promoting Lifelong Learning
- Utilizing eBooks for Skill Development
  - Exploring Educational eBooks
14. Embracing eBook Trends
- Integration of Multimedia Elements
  - Interactive and Gamified eBooks

### **Matrix Glitcher 360 Manual Introduction**

In the digital age, access to information has become easier than ever before. The ability to download Matrix Glitcher 360 Manual has revolutionized the way we consume written content. Whether you are a student looking for course material, an avid reader searching for your next favorite book, or a professional seeking research papers, the option to download Matrix Glitcher 360 Manual has opened up a world of possibilities. Downloading Matrix Glitcher 360 Manual provides numerous advantages over physical copies of books and documents. Firstly, it is incredibly convenient. Gone are the days of carrying around heavy textbooks or bulky folders filled with papers. With the click of a button, you can gain immediate access to



valuable resources on any device. This convenience allows for efficient studying, researching, and reading on the go. Moreover, the cost-effective nature of downloading Matrix Glitcher 360 Manual has democratized knowledge. Traditional books and academic journals can be expensive, making it difficult for individuals with limited financial resources to access information. By offering free PDF downloads, publishers and authors are enabling a wider audience to benefit from their work. This inclusivity promotes equal opportunities for learning and personal growth. There are numerous websites and platforms where individuals can download Matrix Glitcher 360 Manual. These websites range from academic databases offering research papers and journals to online libraries with an expansive collection of books from various genres. Many authors and publishers also upload their work to specific websites, granting readers access to their content without any charge. These platforms not only provide access to existing literature but also serve as an excellent platform for undiscovered authors to share their work with the world. However, it is essential to be cautious while downloading Matrix Glitcher 360 Manual. Some websites may offer pirated or illegally obtained copies of copyrighted material. Engaging in such activities not only violates copyright laws but also undermines the efforts of authors, publishers, and researchers. To ensure ethical downloading, it is advisable to utilize reputable websites that prioritize the legal distribution of content. When downloading Matrix Glitcher 360 Manual, users should also consider the potential security risks associated with online platforms. Malicious actors may exploit vulnerabilities in unprotected websites to distribute malware or steal personal information. To protect themselves, individuals should ensure their devices have reliable antivirus software installed and validate the legitimacy of the websites they are downloading from. In conclusion, the ability to download Matrix Glitcher 360 Manual has transformed the way we access information. With the convenience, cost-effectiveness, and accessibility it offers, free PDF downloads have become a popular choice for students, researchers, and book lovers worldwide. However, it is crucial to engage in ethical downloading practices and prioritize personal security when utilizing online platforms. By doing so, individuals can make the most of the vast array of free PDF resources available and embark on a journey of continuous learning and intellectual growth.

### **FAQs About Matrix Glitcher 360 Manual Books**

How do I know which eBook platform is the best for me? Finding the best eBook platform depends on your reading preferences and device compatibility. Research different platforms, read user reviews, and explore their features before making a choice. Are free eBooks of good quality? Yes, many reputable platforms offer high-quality free eBooks, including classics and public domain works. However, make sure to verify the source to ensure the eBook credibility. Can I read eBooks without an eReader? Absolutely! Most eBook platforms offer webbased readers or mobile apps that allow you to read

eBooks on your computer, tablet, or smartphone. How do I avoid digital eye strain while reading eBooks? To prevent digital eye strain, take regular breaks, adjust the font size and background color, and ensure proper lighting while reading eBooks. What the advantage of interactive eBooks? Interactive eBooks incorporate multimedia elements, quizzes, and activities, enhancing the reader engagement and providing a more immersive learning experience. Matrix Glitcher 360 Manual is one of the best book in our library for free trial. We provide copy of Matrix Glitcher 360 Manual in digital format, so the resources that you find are reliable. There are also many Ebooks of related with Matrix Glitcher 360 Manual. Where to download Matrix Glitcher 360 Manual online for free? Are you looking for Matrix Glitcher 360 Manual PDF? This is definitely going to save you time and cash in something you should think about. If you trying to find then search around for online. Without a doubt there are numerous these available and many of them have the freedom. However without doubt you receive whatever you purchase. An alternate way to get ideas is always to check another Matrix Glitcher 360 Manual. This method for see exactly what may be included and adopt these ideas to your book. This site will almost certainly help you save time and effort, money and stress. If you are looking for free books then you really should consider finding to assist you try this. Several of Matrix Glitcher 360 Manual are for sale to free while some are payable. If you arent sure if the books you would like to download works with for usage along with your computer, it is possible to download free trials. The free guides make it easy for someone to free access online library for download books to your device. You can get free download on free trial for lots of books categories. Our library is the biggest of these that have literally hundreds of thousands of different products categories represented. You will also see that there are specific sites catered to different product types or categories, brands or niches related with Matrix Glitcher 360 Manual. So depending on what exactly you are searching, you will be able to choose e books to suit your own need. Need to access completely for Campbell Biology Seventh Edition book? Access Ebook without any digging. And by having access to our ebook online or by storing it on your computer, you have convenient answers with Matrix Glitcher 360 Manual To get started finding Matrix Glitcher 360 Manual, you are right to find our website which has a comprehensive collection of books online. Our library is the biggest of these that have literally hundreds of thousands of different products represented. You will also see that there are specific sites catered to different categories or niches related with Matrix Glitcher 360 Manual So depending on what exactly you are searching, you will be able to choose ebook to suit your own need. Thank you for reading Matrix Glitcher 360 Manual. Maybe you have knowledge that, people have search numerous times for their favorite readings like this Matrix Glitcher 360 Manual, but end up in harmful downloads. Rather than reading a good book with a cup of coffee in the afternoon, instead they juggled with some harmful bugs inside their laptop. Matrix Glitcher 360 Manual is available in our book collection an online access to it is set as public so you can download it instantly. Our digital library spans in multiple locations, allowing you to get the most less latency time to download any of our books like this one. Merely said, Matrix Glitcher 360 Manual is universally compatible with any



devices to read.

**Find Matrix Glitcher 360 Manual :**

~~kamasutra popup~~

~~[kachestvo zhizni i zdorove cheloveka](#)~~

~~[karim rashid i want to change the world](#)~~

~~kamernyi ansambl istoriia teoriia estetika monografiia~~

~~kabinet mikhaila fradkova neofitsialnyi vzgliad na ofitsialnykh liudei~~

**kants aesthetic theory**

~~[kaiser permanente haelthwise handbook selfcare guide for you and your](#)~~

~~[kabbalah and criticism.](#)~~

~~kaspar methuen modern plays~~

~~kangaroo route the development of commercial flight between england and australia~~

~~[kamenglish dictionary program for southeast asian studies monograph series](#)~~

~~[karmesin the worlds greatest criminal or most outrageous liar lost clabics ser](#)~~

**kansas connections and the ultimate barn raising 478**

~~kapse raasdonders he annie mg schmide kookboek~~

~~*kano civil war and british over-rule 1882-1940*~~

**Matrix Glitcher 360 Manual :**

**salary increase letter template for employers to use with** - Aug 07 2022

web 1 salary increase letters 2 to whom do you give your salary increase letter 3 salary increase letter formats 4 what should you place in your salary increase letter 5

**free and ready to use pay increase letter to employee** - Jun 17 2023

if a salary increase email isn t written correctly there s a chance the email can be misunderstood and worse misquoted in this section of the article we see more

~~[sample letter to employee informing them of increase in salary](#)~~ - Dec 31 2021

web letter informing staff of a pay rise sample 1 personal full name of employee dear first name salaries review i am very pleased to advise you of a change affecting your

*30 salary increase letter samples how to ask for pay rise - Jul 06 2022*

web mar 21 2021 the best way to communicate your employees salary increase is by writing a salary increase letter template this letter serves as a formal notification of your

**how to write a raise letter with template and** - Aug 19 2023

before sending an email to your employee informing them of a salary increase some things must be done in this section of the article we re going to list all of see more

salary increase letter from employer sample - May 16 2023

in this section of this article we will provide some templates to serve as pointers when you need to write emails informing your employee of an increase in salary see more

*salary increase notification letter sample for employees* - Jun 05 2022

web a salary increase letter is a written formal request by an employee asking for a salary increment from their employer manager supervisor and head of department or

how to write a salary increase letter plus an example - Feb 13 2023

web to help you here s our pay raise letter to employee template in two versions one sent from the employee s manager and the other from hr from the manager subject line

*how to write a salary increase letter with* - Apr 15 2023

web jun 9 2023 writing an effective raise letter informs your employees when they ve earned a salary increase which may reflect your appreciation for their hard work or

**how hr can write a salary increase letter template example** - Jul 18 2023

when deciding who should send the email informing the employee of the salary increase there are generally two options 1 the manager 2 the hr the see more

**salary increment sample letter from company to** - Feb 01 2022

web jun 6 2019 the format of a letter that an employer writes to his her employees informing them of an increase in the salary is given below name of the employer

**15 salary increment letter template format sample** - Mar 02 2022

web apr 9 2011 as with the first salary increase letter you should include the following employee number amount percentage of raise increase positions held current

50 best salary increase letters how to ask for a raise - Sep 08 2022

web feb 12 2021 salary increase letter sample this salary increase letter reinforces what the employee knows from meeting with his or her manager download the salary

**sample letter informing staff of salary increase** - Oct 29 2021

web jun 8 2022 example 1 i m pleased to inform you that you have a 5 salary increase it will be active from 1st october  
example 2 i d like to invite you to my office room to

**how to write a salary increase letter in 2023** - Jan 12 2023

web explore the importance of a salary increase letter to an employee get a step by step guide on creating one copy two  
templates you can use immediately scrutinize 5

salary increase letter template for employers to use liveabout - Oct 09 2022

web we recently received your request for a salary increase this letter is to confirm that upon review your request has been  
accepted and your salary has been increased from

**salary increase email to employees samples and examples** - Sep 20 2023

write an email informing your employee of a raise sample subject salary increase email dear jim we are delighted to inform  
you that woculus has decided to increase your remuneration by 20 this means your monthly remuneration will increase from  
5000 to 6000 see more

**sample salary increase notification letter format for employees** - Nov 29 2021

web salary increase letter sample for staff mr mrs xyz job designation department name subject annual salary increment  
letter for the year 20xx dear mr mrs xyz

how to write a salary increase letter with sample indeed - Dec 11 2022

web updated 29 july 2022 changing responsibilities and long periods of good service can be justification for a salary increase  
a salary increase letter is an effective way to request

*salary increment letter 4 free templates writolay* - May 04 2022

web below are two samples of the annual salary increase notification letter sample available for free download you need to  
change the post salary increased amount and

how to write a salary increase letter to an employee - Nov 10 2022

web how to write a salary increase letter with sample as a manager one of your responsibilities could be communicating  
salary increases to employees it s important

**free samples of salary increase letters bright hub** - Apr 03 2022

web sep 26 2023 table of contents what to write in a salary increment letter writing a salary increment letter is an  
opportunity to formally communicate the good news of a

*how to write a salary increase letter to an employee free* - Mar 14 2023

web 1 what is a salary increase letter 2 7 reasons for a salary increase 3 how to write a raise letter 4 sample salary increase

letter template 5 satisfy employees with

[cruise ports scandinavia 1ed anglais international labour office](#) - Jul 10 2022

web sep 16 2022 cruise ports scandinavia 1ed anglais is available in our book collection an online access to it is set as public so you can get it instantly our book servers saves in

**scandinavia 12ed anglais by andy symington carolyn bain** - Jun 09 2022

web jul 19 2023 cruise ports scandinavia 1ed anglais thank you extremely much for downloading cruise ports scandinavia 1ed anglais most likely you have knowledge

**cruise ports scandinavia 1ed anglais pdf** - Feb 17 2023

web cruise ports scandinavia 1ed anglais pdf introduction cruise ports scandinavia 1ed anglais pdf free organization theory and design jonathan murphy 2014

*cruise ports scandinavia 1ed anglais pdf ny creates* - Apr 07 2022

web guest information center to learn more about the town stop by the guest information center located right after the customs before going into scala nuova shopping village

[download free cruise ports scandinavia 1ed anglais pdf](#) - Sep 12 2022

web cruise ports scandinavia 1ed anglais lonely planet tlcharger la chorale des dames de chilbury gratuit imogenbookjack world library epub pdf book effortlessly chic cities

**cruise ports scandinavia 1ed anglais copy website localimageco** - Feb 05 2022

web latency time to download any of our books considering this one merely said the cruise ports scandinavia 1ed anglais is universally compatible in the same way as any

*homepage kusadasi* - Jan 04 2022

web bearing in mind this one merely said the cruise ports scandinavia 1ed anglais pdf is universally compatible taking into account any devices to read green ports rickard

*cruise ports scandinavia 1ed anglais pdf free support ortax* - Nov 14 2022

web dec 1 2022 cruise ports scandinavia 1ed anglais 1 1 downloaded from kelliemay com on december 1 2022 by guest cruise ports scandinavia 1ed

[cruise ports scandinavia 1ed anglais pdf trilhoscaao](#) - Oct 01 2021

**cruise ports scandinavia 1ed anglais by planet lonely planet** - Oct 13 2022

web cruise ports scandinavia 1ed anglais is available in our digital library an online access to it is set as public so you can download it instantly our book servers saves in multiple

*cruise ports scandinavia 1ed anglais pdf pdf voto unéal edu* - May 08 2022

web cruise ports scandinavia 1ed anglais 2022 07 17 long valentine lonely planet fast talk norwegian 1 rick steves cruise operations management provides a

**scandinavia northern europe departure ports of call europe** - Dec 15 2022

web cruise ports scandinavia 1ed anglais pdf if you ally craving such a referred cruise ports scandinavia 1ed anglais pdf ebook that will have the funds for you worth acquire the

**cruise ports scandinavia 1ed anglais wrbb neu edu** - Mar 18 2023

web ports cruise lines search for a new cruise aalborg denmark aalesund norway aarhus denmark aberdeen scotland aghios nikolaos crete island greece ajaccio

scandinavian ports and destinations in a good place - Jan 16 2023

web jun 4 2023 cruise ports scandinavia 1ed anglais by planet lonely planet eng d éviter que dans les ports turcs d istanbul et de smyrne les épaves se remplissent sous les

**scandinavian northern europe cruise ports cunard** - Dec 03 2021

**cruise ports scandinavia 1ed anglais uniport edu** - Mar 06 2022

web explore our northern europe and scandinavian ports all awaiting your visit on an unforgettable cunard cruise

**cruise ports scandinavia 1ed anglais john jourdane copy** - Nov 02 2021

cruise ports scandinavia 1ed anglais pdf kelliemay - Aug 11 2022

web cruise ports scandinavia 1ed anglais pdf unveiling the power of verbal art an psychological sojourn through cruise ports scandinavia 1ed anglais pdf in some sort

**cruise ports scandinavia 1ed anglais pdf full pdf** - Aug 23 2023

web apr 12 2023 right here we have countless books cruise ports scandinavia 1ed anglais pdf and collections to check out we additionally give variant types and next type of the books to browse

**cruise ports scandinavia 1ed anglais by planet lonely planet** - Apr 19 2023

web cruise ports scandinavia 1ed anglais is available in our book collection an online access to it is set as public so you can download it instantly our books collection saves in

scandinavian northern europe cruise ports cunard - Jul 22 2023

web view our list of all scandinavia cruise ports and easily compare each port to help plan your next cruise to this amazing destination

**scandinavia cruise ports cruiseline com** - May 20 2023

web cruise ports scandinavia 1ed anglais is approachable in our digital library an online entrance to it is set as public thus you can download it instantly our digital library saves

top scandinavia and northern european - Jun 21 2023

web jun 3 2023 the cruise ports scandinavia 1ed anglais by planet lonely planet eng it is totally plain then at present we extend the associate to buy and create bargains to

*centouno storie sufi 9788880933519 abebooks* - May 15 2023

il sufismo ha elaborato un ampio repertorio di storie istruttive che mancano di un destinatario particolare in modo che ciascuno possa intenderle in base alla propria consapevolezza e al

*centouno storie sufi paperback 25 july 2003 amazon com au* - Mar 13 2023

select the department you want to search in

**centouno storie sufi arena l v amazon de books** - Nov 09 2022

jul 5 2003 select the department you want to search in

centouno storie sufi l v arena libro il punto d incontro - Aug 18 2023

centouno storie sufi è un libro a cura di l v arena pubblicato da il punto d incontro nella collana uomini e spiritualità acquista su ibs a 6 90

*centouno storie sufi 9788880933519 in sufismo e misticismo* - Jan 11 2023

jul 22 2010 acquista centouno storie sufi su libreria universitaria spedizione gratuita sopra i 25 euro su libreria universitaria

*centouno storie sufi 9788880933519 amazon com books* - Oct 08 2022

jul 25 2003 centouno storie sufi on amazon com free shipping on qualifying offers centouno storie sufi

**centouno arabi soluzioni cruciverba e parole crociate** - Jan 31 2022

centouno arabi centouno arabi cruciverba tra le migliori soluzioni del cruciverba della definizione centouno arabi abbiamo tre lettere ioi hai trovato la soluzione del cruciverba per la definizione centouno arabi su cruciverbiamo trovi queste e altre

soluzioni a cruciverba e parole crociate navigazione articolo

**centouno storie sufi uomini e spiritualità tapa blanda amazon es** - Apr 14 2023

centouno storie sufi uomini e spiritualità arena leonardo v amazon es libros

**amazon com au customer reviews centouno storie sufi** - Dec 10 2022

find helpful customer reviews and review ratings for centouno storie sufi at amazon com read honest and unbiased product reviews from our users

**centouno traduzione in francese esempi italiano reverso** - Mar 01 2022

traduzione di centouno in francese il primo nel 67 con la centouno la première en 67 avec le 101st centouno per l'esattezza 101 en réalité kannada in un remoto villaggio dell'India del sud tre generazioni di figli reagiscono alla dipartita del bisnonno century gowda morto alla veneranda età di centouno anni

[centouno storie sufi arena leonardo v amazon it libri](#) - Sep 19 2023

il sufismo ha elaborato un ampio repertorio di storie istruttive che mancano di un destinatario particolare in modo che ciascuno possa intenderle in base alla propria consapevolezza e al proprio stadio evolutivo

**centouno storie sufi yearbook ladieseuropeantour com** - Jul 17 2023

centouno storie sufi book review unveiling the power of words in a global driven by information and connectivity the ability of words has are more evident than ever they have the capacity to inspire provoke and ignite change

[centouno storie sufi amazon com br](#) - Aug 06 2022

compre online centouno storie sufi de arena leonardo v na amazon frete grátis em milhares de produtos com o amazon prime encontre diversos livros em inglês e outras línguas com ótimos preços

**centouno storie sufi by amazon ae** - Jun 16 2023

buy centouno storie sufi by online on amazon ae at best prices fast and free shipping free returns cash on delivery available on eligible purchase

**centouno storie sufi arena l v cur sconto 5 libreria** - Feb 12 2023

centouno storie sufi è un libro di arena l v cur pubblicato da edizioni il punto d incontro nella collana uomini e spiritualità con argomento sufismo sconto 5 isbn 9788880933519

**centouno storie sufi uniport edu ng** - May 03 2022

may 22 2023 centouno storie sufi 2 7 downloaded from uniport edu ng on may 22 2023 by guest storytelling healing with stories brings together a stellar collection of some of the world's most prominent practitioners taking you inside their thinking and processes for working with metaphors they represent the

*centouno storie sufi libro edizioni il punto d incontro 2003* - Jul 05 2022

centouno storie sufi è un libro pubblicato da edizioni il punto d incontro nella collana uomini e spiritualità libreria it *fischer bennett and hamilton* - Jun 04 2022

fischer bennett and hamilton

**centouno traduzione in inglese dizionario italiano inglese di** - Apr 02 2022

centouno traduzione in inglese dizionario italiano inglese di bab la bab la dizionario italiano inglese c centouno qual è la traduzione di centouno in inglese it volume up centouno en volume up hundred and one traduzioni pronuncia traduttore frasi open in new it centouno in inglese volume up centouno m en volume up



*centouno storie sufi arena l v amazon de bücher - Sep 07 2022*

centouno storie sufi arena l v isbn 9788880933519 kostenloser versand für alle bücher mit versand und verkauf duch amazon