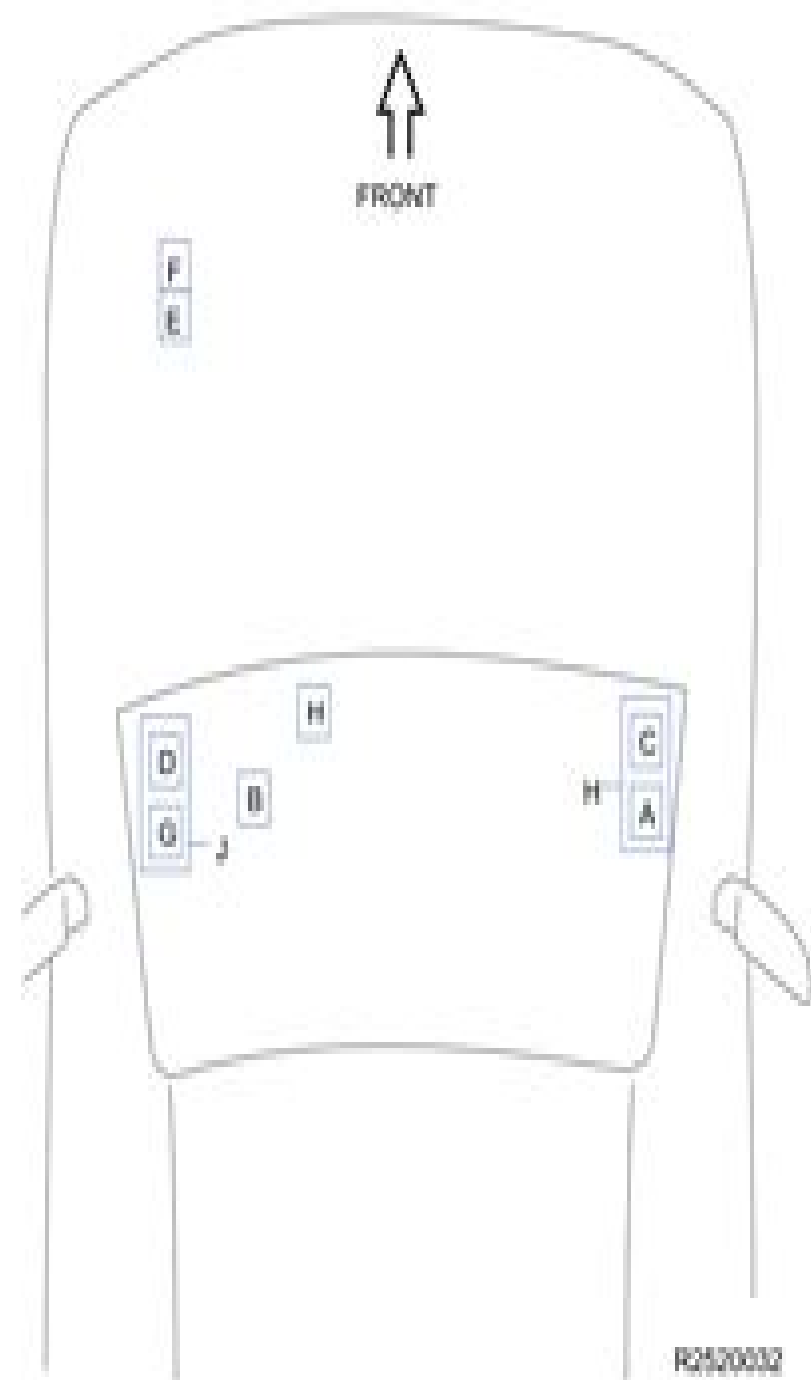
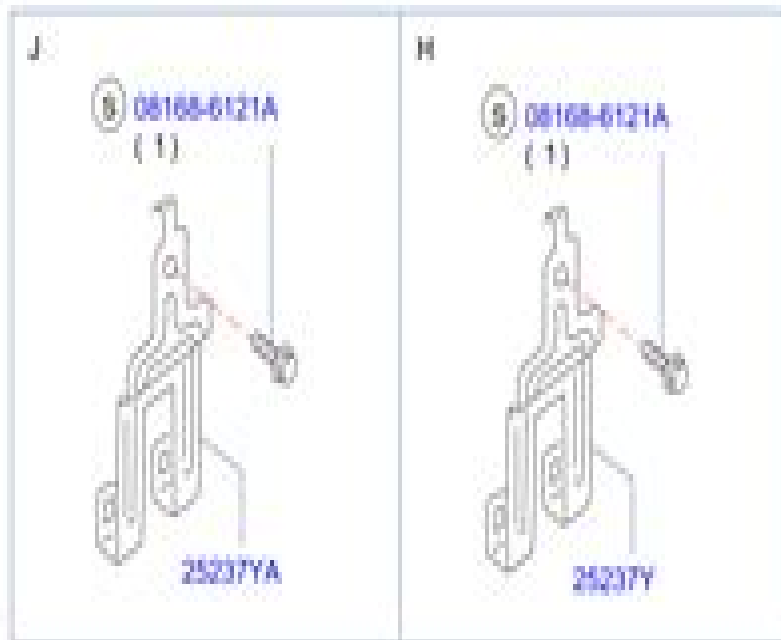


ILLUST	PART CODE	RELAY DESCRIPTION
A	25234B	HSEAT
B	25234BA	HSTRG
C	25234BB	RR POWER SOCKET
D	25234T	LKEY
E	25830	HORN
F	25234C	REV LAMP
G	25234L	RR DEFOGGER
H	25232X	ACC



Maxima 1992 Ignition Diagram

Charles François



Maxima 1992 Ignition Diagram:

Uncover the mysteries within Explore with is enigmatic creation, Embark on a Mystery with **Maxima 1992 Ignition Diagram** . This downloadable ebook, shrouded in suspense, is available in a PDF format (PDF Size: *). Dive into a world of uncertainty and anticipation. Download now to unravel the secrets hidden within the pages.

<https://staging.conocer.cide.edu/files/virtual-library/fetch.php/janome%20mylock%20644d%20user%20guide.pdf>

Table of Contents Maxima 1992 Ignition Diagram

1. Understanding the eBook Maxima 1992 Ignition Diagram
 - The Rise of Digital Reading Maxima 1992 Ignition Diagram
 - Advantages of eBooks Over Traditional Books
2. Identifying Maxima 1992 Ignition Diagram
 - Exploring Different Genres
 - Considering Fiction vs. Non-Fiction
 - Determining Your Reading Goals
3. Choosing the Right eBook Platform
 - Popular eBook Platforms
 - Features to Look for in an Maxima 1992 Ignition Diagram
 - User-Friendly Interface
4. Exploring eBook Recommendations from Maxima 1992 Ignition Diagram
 - Personalized Recommendations
 - Maxima 1992 Ignition Diagram User Reviews and Ratings
 - Maxima 1992 Ignition Diagram and Bestseller Lists
5. Accessing Maxima 1992 Ignition Diagram Free and Paid eBooks
 - Maxima 1992 Ignition Diagram Public Domain eBooks
 - Maxima 1992 Ignition Diagram eBook Subscription Services
 - Maxima 1992 Ignition Diagram Budget-Friendly Options
6. Navigating Maxima 1992 Ignition Diagram eBook Formats

- ePub, PDF, MOBI, and More
- Maxima 1992 Ignition Diagram Compatibility with Devices
- Maxima 1992 Ignition Diagram Enhanced eBook Features
- 7. Enhancing Your Reading Experience
 - Adjustable Fonts and Text Sizes of Maxima 1992 Ignition Diagram
 - Highlighting and Note-Taking Maxima 1992 Ignition Diagram
 - Interactive Elements Maxima 1992 Ignition Diagram
- 8. Staying Engaged with Maxima 1992 Ignition Diagram
 - Joining Online Reading Communities
 - Participating in Virtual Book Clubs
 - Following Authors and Publishers Maxima 1992 Ignition Diagram
- 9. Balancing eBooks and Physical Books Maxima 1992 Ignition Diagram
 - Benefits of a Digital Library
 - Creating a Diverse Reading Collection Maxima 1992 Ignition Diagram
- 10. Overcoming Reading Challenges
 - Dealing with Digital Eye Strain
 - Minimizing Distractions
 - Managing Screen Time
- 11. Cultivating a Reading Routine Maxima 1992 Ignition Diagram
 - Setting Reading Goals Maxima 1992 Ignition Diagram
 - Carving Out Dedicated Reading Time
- 12. Sourcing Reliable Information of Maxima 1992 Ignition Diagram
 - Fact-Checking eBook Content of Maxima 1992 Ignition Diagram
 - Distinguishing Credible Sources
- 13. Promoting Lifelong Learning
 - Utilizing eBooks for Skill Development
 - Exploring Educational eBooks
- 14. Embracing eBook Trends
 - Integration of Multimedia Elements
 - Interactive and Gamified eBooks

Maxima 1992 Ignition Diagram Introduction

In the digital age, access to information has become easier than ever before. The ability to download Maxima 1992 Ignition Diagram has revolutionized the way we consume written content. Whether you are a student looking for course material, an avid reader searching for your next favorite book, or a professional seeking research papers, the option to download Maxima 1992 Ignition Diagram has opened up a world of possibilities. Downloading Maxima 1992 Ignition Diagram provides numerous advantages over physical copies of books and documents. Firstly, it is incredibly convenient. Gone are the days of carrying around heavy textbooks or bulky folders filled with papers. With the click of a button, you can gain immediate access to valuable resources on any device. This convenience allows for efficient studying, researching, and reading on the go. Moreover, the cost-effective nature of downloading Maxima 1992 Ignition Diagram has democratized knowledge. Traditional books and academic journals can be expensive, making it difficult for individuals with limited financial resources to access information. By offering free PDF downloads, publishers and authors are enabling a wider audience to benefit from their work. This inclusivity promotes equal opportunities for learning and personal growth. There are numerous websites and platforms where individuals can download Maxima 1992 Ignition Diagram. These websites range from academic databases offering research papers and journals to online libraries with an expansive collection of books from various genres. Many authors and publishers also upload their work to specific websites, granting readers access to their content without any charge. These platforms not only provide access to existing literature but also serve as an excellent platform for undiscovered authors to share their work with the world. However, it is essential to be cautious while downloading Maxima 1992 Ignition Diagram. Some websites may offer pirated or illegally obtained copies of copyrighted material. Engaging in such activities not only violates copyright laws but also undermines the efforts of authors, publishers, and researchers. To ensure ethical downloading, it is advisable to utilize reputable websites that prioritize the legal distribution of content. When downloading Maxima 1992 Ignition Diagram, users should also consider the potential security risks associated with online platforms. Malicious actors may exploit vulnerabilities in unprotected websites to distribute malware or steal personal information. To protect themselves, individuals should ensure their devices have reliable antivirus software installed and validate the legitimacy of the websites they are downloading from. In conclusion, the ability to download Maxima 1992 Ignition Diagram has transformed the way we access information. With the convenience, cost-effectiveness, and accessibility it offers, free PDF downloads have become a popular choice for students, researchers, and book lovers worldwide. However, it is crucial to engage in ethical downloading practices and prioritize personal security when utilizing online platforms. By doing so, individuals can make the most of the vast array of free PDF resources available and embark on a journey of continuous learning and intellectual growth.

FAQs About Maxima 1992 Ignition Diagram Books

How do I know which eBook platform is the best for me? Finding the best eBook platform depends on your reading preferences and device compatibility. Research different platforms, read user reviews, and explore their features before making a choice. Are free eBooks of good quality? Yes, many reputable platforms offer high-quality free eBooks, including classics and public domain works. However, make sure to verify the source to ensure the eBook credibility. Can I read eBooks without an eReader? Absolutely! Most eBook platforms offer webbased readers or mobile apps that allow you to read eBooks on your computer, tablet, or smartphone. How do I avoid digital eye strain while reading eBooks? To prevent digital eye strain, take regular breaks, adjust the font size and background color, and ensure proper lighting while reading eBooks. What the advantage of interactive eBooks? Interactive eBooks incorporate multimedia elements, quizzes, and activities, enhancing the reader engagement and providing a more immersive learning experience. Maxima 1992 Ignition Diagram is one of the best book in our library for free trial. We provide copy of Maxima 1992 Ignition Diagram in digital format, so the resources that you find are reliable. There are also many Ebooks of related with Maxima 1992 Ignition Diagram. Where to download Maxima 1992 Ignition Diagram online for free? Are you looking for Maxima 1992 Ignition Diagram PDF? This is definitely going to save you time and cash in something you should think about. If you trying to find then search around for online. Without a doubt there are numerous these available and many of them have the freedom. However without doubt you receive whatever you purchase. An alternate way to get ideas is always to check another Maxima 1992 Ignition Diagram. This method for see exactly what may be included and adopt these ideas to your book. This site will almost certainly help you save time and effort, money and stress. If you are looking for free books then you really should consider finding to assist you try this. Several of Maxima 1992 Ignition Diagram are for sale to free while some are payable. If you arent sure if the books you would like to download works with for usage along with your computer, it is possible to download free trials. The free guides make it easy for someone to free access online library for download books to your device. You can get free download on free trial for lots of books categories. Our library is the biggest of these that have literally hundreds of thousands of different products categories represented. You will also see that there are specific sites catered to different product types or categories, brands or niches related with Maxima 1992 Ignition Diagram. So depending on what exactly you are searching, you will be able to choose e books to suit your own need. Need to access completely for Campbell Biology Seventh Edition book? Access Ebook without any digging. And by having access to our ebook online or by storing it on your computer, you have convenient answers with Maxima 1992 Ignition Diagram To get started finding Maxima 1992 Ignition Diagram, you are right to find our website which has a comprehensive collection of books online. Our library is the biggest of these that have literally hundreds of thousands of different products represented. You will also see that there are specific sites catered to different categories or niches related with Maxima 1992 Ignition Diagram So depending on what exactly you are searching,

you will be able to choose ebook to suit your own need. Thank you for reading Maxima 1992 Ignition Diagram. Maybe you have knowledge that, people have search numerous times for their favorite readings like this Maxima 1992 Ignition Diagram, but end up in harmful downloads. Rather than reading a good book with a cup of coffee in the afternoon, instead they juggled with some harmful bugs inside their laptop. Maxima 1992 Ignition Diagram is available in our book collection an online access to it is set as public so you can download it instantly. Our digital library spans in multiple locations, allowing you to get the most less latency time to download any of our books like this one. Merely said, Maxima 1992 Ignition Diagram is universally compatible with any devices to read.

Find Maxima 1992 Ignition Diagram :

janome mylock 644d user guide

[jboss eaphigh availability](#)

[jcb backhoe manual](#)

[japanese corn soup recipe](#)

[japanese grilled steak teriaki recipe](#)

[jcb 8027z 8032z tracked excavator service manual](#)

jasinda wilder alpha documentos nequinhally minhateca

[jbl es52000 user guide](#)

jazz band stage plots

jandy lt400 pool heater manual

jcb 3d workshop manual

janome sew mini instruction manual

janome new home manual

[janome 3050 manual](#)

[january 2014 english 11 regents short response](#)

Maxima 1992 Ignition Diagram :

[the art of iron man 10th anniversary edition marvel cinematic](#) - Sep 08 2023

web oct 9 2018 with a slipcase and signed art print featuring brand new pieces of iron man art by ryan meinerding concept artist on iron man and currently head of visual

amazon com customer reviews the art of iron man 10th - Dec 31 2022

web the art of iron man 10th anniversary edition thomas john rhett amazon sg books

the art of iron man 10th anniversary edition amazon com - Oct 09 2023

web oct 9 2018 the art of iron man 10th anniversary edition hardcover october 9 2018 packed with exclusive content this fully illustrated tome treats fans to a comprehensive

the art of iron man 10th anniversary edition hardcover - Apr 03 2023

web abebooks com the art of iron man 10th anniversary edition 9781785659508 by rhett thomas john and a great selection of similar new used and collectible books

the art of iron man 10th anniversary edition amazon de - Jun 24 2022

web buy the hardcover book the art of iron man 10th anniversary edition by john rhett thomas at indigo ca canada s largest bookstore free shipping and pickup in store on

the art of iron man 10th anniversary edition hardcover - May 24 2022

web here is everything you need to know about the making of the movie from all the key players including director jon favreau the special effects gurus at stan winston studios and

the art of iron man 10th anniversary edition turkey ubuy - Sep 27 2022

web find many great new used options and get the best deals for the art of iron man 10th anniversary edition by john rhett thomas 2018 hardcover at the best online prices

the art of iron man 10th anniversary edition hardcover - Dec 19 2021

the art of iron man 10th anniversary edition hardcover - Oct 29 2022

web oct 9 2018 packed with exclusive content this fully illustrated tome treats fans to a comprehensive unique and privileged behind the scenes look at the creative process

the art of iron man 10th anniversary edition indigo books - Apr 22 2022

web add to cart add this copy of the art of iron man 10th anniversary edition to cart 194 36 new condition sold by booksxpress rated 3 0 out of 5 stars ships from

art of iron man 10th anniversary edition open library - Jan 20 2022

the art of iron man 10th anniversary edition titan books - Aug 27 2022

web the art of iron man 10th anniversary edition rhett thomas john isbn 9781785659508 kostenloser versand für alle bücher mit versand und verkauf duch

the art of iron man 10th anniversary edition hardcover - Feb 01 2023

web find helpful customer reviews and review ratings for the art of iron man 10th anniversary edition at amazon com read honest and unbiased product reviews from our users

the art of iron man 10th anniversary edition hardcover - Jun 05 2023

web isbn 9781785659508 hardcover titan comics 2018 condition very good the art of iron man 10th anniversary edition the art of iron man 10th anniversary edition

the art of iron man 10th anniversary edition goodreads - Mar 22 2022

web art of iron man 10th anniversary edition by john rhett thomas 2018 titan books limited edition in english

the art of iron man 10th anniversary edition ciltli kapak - Jul 06 2023

web with a slipcase and signed art print featuring brand new pieces of iron man art by ryan meinerding concept artist on iron man and currently head of visual development at

the art of iron man 10th anniversary edition by john rhett - Jul 26 2022

web the art of iron man 10th anniversary edition hardcover import 9 october 2018 by john rhett thomas author 4 6 72 ratings see all formats and editions hardcover from

the art of iron man 10th anniversary edition book - Nov 29 2022

web shop the art of iron man 10th anniversary edition hardcover october 9 2018 online at a best price in turkey get special offers deals discounts fast delivery options on

the art of iron man 10th anniversary edition abebooks - Mar 02 2023

web the art of iron man 10th anniversary edition thomas john rhett on amazon com au free shipping on eligible orders the art of iron man 10th anniversary edition

the art of iron man 10th anniversary edition abebooks - May 04 2023

web buy the art of iron man 10th anniversary edition by thomas john rhett online on amazon ae at best prices fast and free shipping free returns cash on delivery available

the art of iron man 10th anniversary edition alibris - Feb 18 2022

web the art of iron man 10th anniversary edition rhett thomas john amazon de books

the art of iron man 10th anniversary edition hardcover - Aug 07 2023

web the art of iron man 10th anniversary edition rhett thomas john amazon com tr kitap

luna roja emplea los dones creativos sexuales y - Apr 26 2022

web luna roja ofrece a la mujer moderna una profunda y clarificadora visión de su naturaleza cíclica y de los dones y posibilidades que encierra el ciclo menstrual estamos ante una obra desmitificadora una auténtica guía de ritmos femeninos

que enseña a valorar la realidad femenina y las posibilidades que ésta encierra

[luna roja emplea los dones creativos sexuales y espirituales del](#) - Aug 31 2022

web scopri luna roja emplea los dones creativos sexuales y espirituales del ciclo menstrual lingua spagnola di gray miranda steinbrun nora spedizione gratuita per i clienti prime e per ordini a partire da 29 spediti da amazon

[luna roja emplea los dones creativos sexuales y espirituales del](#) - Apr 07 2023

web jun 1 2011 buy luna roja emplea los dones creativos sexuales y espirituales del ciclo menstrual taller de la hechicera spanish edition read kindle store reviews amazon com

[luna roja emplea los dones creativos sexuales y espirituales de los](#) - Mar 06 2023

web sinopsis de luna roja emplea los dones creativos sexuales y espirituales de los ciclos menstruales antigua sabiduría menstrual para la mujer moderna el ciclo menstrual era para nuestras antepasadas una fuente de maravillosas energías creativas espirituales sexuales emocionales mentales y físicas

[luna roja emplea los dones creativos sexuales y](#) - Jun 28 2022

web sinopsis antigua sabiduría menstrual para la mujer moderna el ciclo menstrual era para nuestras antepasadas una fuente de maravillosas energías creativas espirituales sexuales emocionales mentales y físicas

[luna roja emplea los dones creativos sexuales y e](#) 2022 - Jun 09 2023

web 4 luna roja emplea los dones creativos sexuales y e 2023 10 11 star and a young refugee whose flight from postwar europe will change eva s life forever as eva tells her story isabel allende brings to life a complex south american country the rich the poor the sophisticated in a novel that celebrates the power of imagination and

[luna roja emplea los dones creativos sexuales y espir](#) - Aug 11 2023

web read 146 reviews from the world s largest community for readers using a combination of storytelling folklore and legend with practical tools and methods

[luna roja emplea los dones creativos sexuales y espirituales](#) - Feb 22 2022

web luna roja emplea los dones creativos sexuales y espirituales del ciclo menstrual taller de la hechicera by miranda gray nora steinbrun sueños luna roja emplea los dones creativos sexuales y luna roja emplea los dones creativos sexuales y luna roja miranda gray frases critair vignette net distribuciones alfaomega s l luna roja gray

[luna roja emplea los dones creativos sexuales y espirituales del](#) - Feb 05 2023

web luna roja emplea los dones creativos sexuales y espirituales del ciclo menstrual taller de la hechicera ebook gray miranda steinbrun nora amazon com mx tienda kindle tienda kindle

[luna roja emplea los dones creativos sexuales y](#) - Jul 10 2023

web emplea los dones creativos sexuales y espirituales del ciclo menstrual gray miranda 12 00 agregar a la cesta este libro

tiene disponibilidad inmediata en ateneo la maliciosa editorial gaia coleccion del libro sin colección idioma castellano número de páginas 252 dimensiones 210 cm 145 cm 0 cm fecha de

[luna roja emplea los dones creativos sexuales y espirituales del](#) - Jan 04 2023

web luna roja ofrece a la mujer moderna una profunda y clarificadora visión de su naturaleza cíclica y de los dones y posibilidades que encierra el ciclo menstrual estamos ante una obra desmitificadora una auténtica guía de ritmos femeninos que enseña a valorar la realidad femenina y las posibilidades que ésta encierra

luna roja emplea los dones creativos sexuales y espirituales - Sep 12 2023

web disfruta de miles de audiolibros y podcasts originales luna roja emplea los dones creativos sexuales y espirituales del ciclo menstrual taller de la hechicera gray miranda steinbrun nora amazon es libros

luna roja emplea los dones creativos sexuales y espirituales del - Dec 03 2022

web descripción la menstruación no es sólo un fenómeno físico es también una enorme fuerza que afecta profundamente a las mujeres y cuya energía puede aplicarse muy positivamente a nivel creativo sexual y espiritual

luna roja emplea los dones creativos sexuales y espirituales de los - May 08 2023

web sinopsis de luna roja emplea los dones creativos sexuales y espirituales de los ciclos menstruales antigua sabiduría menstrual para la mujer moderna el ciclo menstrual era para nuestras antepasadas una fuente de maravillosas energías creativas espirituales sexuales emocionales mentales y físicas

luna roja emplea los dones creativos sexuales y espirituales - Nov 02 2022

web miranda gray nos explica que cada mujer dispone de una naturaleza cíclica única y nos guía para vivir de forma apasionada y creativa basándonos en nuestros ciclos personales a la vez que explora la conciencia femenina encerrada en la sabiduría ancestral la mitología y los cuentos tradicionales occidentales sugiriendo ejercicios y

luna roja emplea los dones creativos sexuales y - Jul 30 2022

web comentarios antigua sabiduría menstrual para la mujer moderna el ciclo menstrual era para nuestras antepasadas una fuente de maravillosas energías creativas espirituales sexuales emocionales mentales y físicas

amazon com luna roja emplea los dones creativos sexuales y - Oct 13 2023

web luna roja emplea los dones creativos sexuales y espirituales del ciclo menstrual spanish edition tapa blanda 2 noviembre 2010 edición en español de miranda gray author nora steinbrun translator 4 6 712 calificaciones ver todos los

luna roja emplea los dones creativos sexuales y - Oct 01 2022

web luna roja emplea los dones creativos sexuales y espirituales del ciclo menstrual emplea los dones creativos sexuales y espirituales del ciclo menstrual gray miranda editorial gaia año de edición 2010 materia autoayuda isbn 978 84 8445 330 7 páginas 252 encuadernación rústica 13 230

[luna roja emplea los dones creativos sexuales y](#) - May 28 2022

web luna roja ofrece a la mujer moderna una profunda y clarificadora visión de su naturaleza cíclica y de los dones y posibilidades que encierra el ciclo menstrual estamos ante una obra desmitificadora una auténtica guía de ritmos femeninos que enseña a valorar la realidad femenina y las posibilidades que ésta encierra

[luna roja emplea los dones creativos sexuales y](#) - Mar 26 2022

web sinopsis antigua sabiduría menstrual para la mujer moderna el ciclo menstrual era para nuestras antepasadas una fuente de maravillosas energías creativas espirituales sexuales emocionales mentales y físicas

mastering comparative adjectives in english with examples - Jun 30 2022

web nov 6 2023 comparative adjectives are a type of adjective used to compare two things or show change they are used to describe how one thing is different from another thing when we compare two things we use comparative forms of adjectives comparative adjectives can be formed in different ways depending on the number of syllables in the

what are comparative adjectives definition and examples - Oct 15 2023

web jun 27 2023 comparative adjectives are a form adjectives take when comparing two and only two things such as she is older than him or he is more serious than them for most short adjectives we simply add the suffix er at the end of the word while for longer adjectives we usually add the adverb more directly before the word

[examples of comparative adjectives yourdictionary](#) - Jun 11 2023

web feb 17 2021 comparative adjectives that add more or less when dealing with root adjectives that are two syllables you generally place more or less before the adjective in lieu of the er ending here are some examples bitter more or less bitter clever more or less clever modern more or less modern

english grammar rules comparing adjectives ginger software - May 10 2023

web the comparative adjective can be formed in two ways adding er to the positive form of the adjective adding the word more before the adjective for example my essay is longer than yours she is more beautiful than her sister here are the rules for choosing and forming the right form

[comparative and superlative adjectives learnenglish](#) - Aug 13 2023

web comparative adjectives we use comparative adjectives to show change or make comparisons this car is certainly better but it's much more expensive i'm feeling happier now we need a bigger garden we use than when we want to compare one thing with another she is two years older than me new york is much bigger than boston

comparative adjectives grammar englishclub - Jul 12 2023

web there are two ways to make or to form a comparative adjective short adjectives add er long adjectives use more with some 2 syllable adjectives we can use er or more quiet quieter more quiet clever cleverer more clever narrow narrower more

narrow simple simpler more simple

comparative adjectives the blue book of grammar and punctuation - Feb 07 2023

web a comparative adjective compares two items by modifying the adjective with er more or less base adjective fast

comparative adjective between two items faster comparative adjective applied david is a faster runner than richard it s

important to note the distinction that comparative adjectives involve only two items

comparative adjectives learnenglish - Sep 14 2023

web grammar explanation we use comparative adjectives to compare two things or show change the comparative form

depends on the number of syllables in the adjective adjectives with one syllable to make comparative forms with one syllable

adjectives we usually add er old older clean cleaner slow slower

intro to the comparative and the superlative khan academy - Oct 03 2022

web transcript comparatives and superlatives are features of english that allow us to compare one thing to another to make

the comparative say more happy or happier to make the superlative say the most happy or happiest questions tips thanks

want to join the conversation sort by top voted i am divergent 7 years ago

comparative forms of adjectives daily writing tips - Apr 28 2022

web adjectives have three forms positive comparative and superlative the simplest form of the adjective is its positive form

when two objects or persons are being compared the comparative form of the adjective is used when three or more things

are being compared we use the adjective s superlative form

what is a comparative adjective thesaurus com - Feb 24 2022

web july 15 2021 what is a comparative adjective examples rules and best practices write with grammar coach if you re a

grammar pro you already know that adjectives are words that we use to modify and describe nouns and pronouns words like

hot fast green and indestructible are examples of adjectives

comparative and superlative adjectives in english grammar - Jan 06 2023

web comparative adjectives bigger better stronger compare two people places or things example russia china and canada are

big countries basic adjective canada is bigger than china comparative adjective

35 comparative and superlative adjectives list with examples - May 30 2022

web comparative adjectives are used to compare differences between the two objects they modify e g larger smaller faster

higher they are used in sentences where two nouns are compared noun verb comparative adjective than noun e g the cat ran

faster than the dog how do i make comparative adjectives

comparative and superlative adjectives learnenglish teens - Dec 05 2022

web transcript when we want to compare two or more things we can change the form of adjectives by adding er or est we

can also use extra words like more or most and expressions like not as as here are some examples i think you re taller than me tall she s the tallest in the group tall

the comparative and the superlative a quick guide - Mar 28 2022

web the difference between comparative and superlative adjectives is that superlatives are used to show that an adjective is the most or least of a quality in other words they describe a noun in an extreme way usually superlatives compare an individual to a group like comparatives there are two ways to form superlatives you can either add

comparative adjectives rules examples and exercises one minute english - Sep 02 2022

web how to form comparative adjectives after comparative forms we use the word than the comparative forms is er or more we use the er ending with one syllable adjectives like short tall cheap examples i m shorter than my brother these shoes are cheaper than the blue ones my sister is taller than me

comparative and superlative adjectives cambridge grammar - Apr 09 2023

web comparative adjectives compare one person or thing with another and enable us to say whether a person or thing has more or less of a particular quality this car is more expensive than my last one superlative adjectives describe one person or thing as having more of a quality than all other people or things in a group

how do you form the comparative and superlative forms of adjectives - Aug 01 2022

web nov 11 2023 there are two ways in which the comparative and superlative forms of adjectives are formed you add er comparative or est superlative to the adjective adjectives with one syllable usually take these endings if the word already ends in e the e must be left off if a word ends in y it usually takes er or est and the y changes to i

comparatives and superlatives definition examples - Nov 04 2022

web mar 1 2022 remember comparative adjectives describe a noun by comparing it to another noun superlative adjectives describe a noun by comparing it to two or more nouns to the highest or lowest degree comparative adjectives exercises review complete the quick exercise below to assess your mastery of comparative adjectives

superlative and comparative adjectives perfect english grammar - Mar 08 2023

web to make the comparative form of adjectives like bigger or more expensive and the superlative form like biggest or most expensive first we need to know how many syllables are in the adjective adjectives with one syllable usually if an adjective has only one syllable we add er to make the comparative form