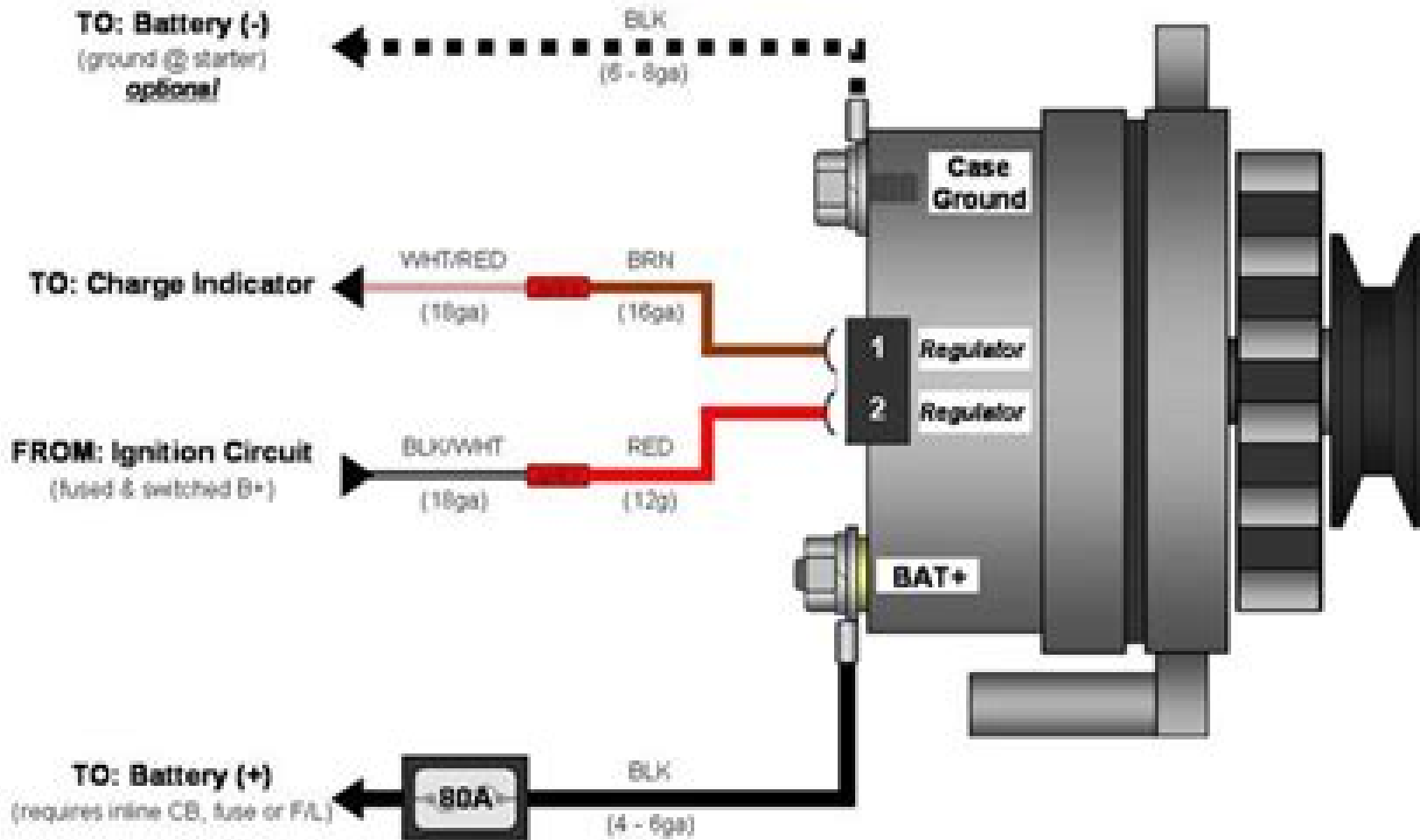


GM 10SI & 12SI (or =) SUZUKI WIRING OPTIONS

Guarded Terminals: 1 & 2

3-Wire



How To Wire Up A Chevy Alternator

CO Houle



How To Wire Up A Chevy Alternator:

Adopting the Beat of Expression: An Psychological Symphony within **How To Wire Up A Chevy Alternator**

In a world used by displays and the ceaseless chatter of instantaneous conversation, the melodic splendor and mental symphony developed by the written word often diminish in to the background, eclipsed by the relentless noise and disturbances that permeate our lives. But, situated within the pages of **How To Wire Up A Chevy Alternator** a charming fictional value filled with fresh feelings, lies an immersive symphony waiting to be embraced. Crafted by an elegant composer of language, this charming masterpiece conducts viewers on an emotional journey, skillfully unraveling the concealed tunes and profound influence resonating within each carefully crafted phrase. Within the depths with this moving assessment, we can examine the book is central harmonies, analyze their enthralling writing design, and submit ourselves to the profound resonance that echoes in the depths of readers souls.

https://staging.conocer.cide.edu/data/uploaded-files/default.aspx/johnny_smith_goes_to_his_speech_pathologist.pdf

Table of Contents How To Wire Up A Chevy Alternator

1. Understanding the eBook How To Wire Up A Chevy Alternator
 - The Rise of Digital Reading How To Wire Up A Chevy Alternator
 - Advantages of eBooks Over Traditional Books
2. Identifying How To Wire Up A Chevy Alternator
 - Exploring Different Genres
 - Considering Fiction vs. Non-Fiction
 - Determining Your Reading Goals
3. Choosing the Right eBook Platform
 - Popular eBook Platforms
 - Features to Look for in an How To Wire Up A Chevy Alternator
 - User-Friendly Interface
4. Exploring eBook Recommendations from How To Wire Up A Chevy Alternator
 - Personalized Recommendations

- How To Wire Up A Chevy Alternator User Reviews and Ratings
- How To Wire Up A Chevy Alternator and Bestseller Lists
- 5. Accessing How To Wire Up A Chevy Alternator Free and Paid eBooks
 - How To Wire Up A Chevy Alternator Public Domain eBooks
 - How To Wire Up A Chevy Alternator eBook Subscription Services
 - How To Wire Up A Chevy Alternator Budget-Friendly Options
- 6. Navigating How To Wire Up A Chevy Alternator eBook Formats
 - ePub, PDF, MOBI, and More
 - How To Wire Up A Chevy Alternator Compatibility with Devices
 - How To Wire Up A Chevy Alternator Enhanced eBook Features
- 7. Enhancing Your Reading Experience
 - Adjustable Fonts and Text Sizes of How To Wire Up A Chevy Alternator
 - Highlighting and Note-Taking How To Wire Up A Chevy Alternator
 - Interactive Elements How To Wire Up A Chevy Alternator
- 8. Staying Engaged with How To Wire Up A Chevy Alternator
 - Joining Online Reading Communities
 - Participating in Virtual Book Clubs
 - Following Authors and Publishers How To Wire Up A Chevy Alternator
- 9. Balancing eBooks and Physical Books How To Wire Up A Chevy Alternator
 - Benefits of a Digital Library
 - Creating a Diverse Reading Collection How To Wire Up A Chevy Alternator
- 10. Overcoming Reading Challenges
 - Dealing with Digital Eye Strain
 - Minimizing Distractions
 - Managing Screen Time
- 11. Cultivating a Reading Routine How To Wire Up A Chevy Alternator
 - Setting Reading Goals How To Wire Up A Chevy Alternator
 - Carving Out Dedicated Reading Time
- 12. Sourcing Reliable Information of How To Wire Up A Chevy Alternator
 - Fact-Checking eBook Content of How To Wire Up A Chevy Alternator

- Distinguishing Credible Sources
- 13. Promoting Lifelong Learning
 - Utilizing eBooks for Skill Development
 - Exploring Educational eBooks
- 14. Embracing eBook Trends
 - Integration of Multimedia Elements
 - Interactive and Gamified eBooks

How To Wire Up A Chevy Alternator Introduction

In today's digital age, the availability of How To Wire Up A Chevy Alternator books and manuals for download has revolutionized the way we access information. Gone are the days of physically flipping through pages and carrying heavy textbooks or manuals. With just a few clicks, we can now access a wealth of knowledge from the comfort of our own homes or on the go. This article will explore the advantages of How To Wire Up A Chevy Alternator books and manuals for download, along with some popular platforms that offer these resources. One of the significant advantages of How To Wire Up A Chevy Alternator books and manuals for download is the cost-saving aspect. Traditional books and manuals can be costly, especially if you need to purchase several of them for educational or professional purposes. By accessing How To Wire Up A Chevy Alternator versions, you eliminate the need to spend money on physical copies. This not only saves you money but also reduces the environmental impact associated with book production and transportation. Furthermore, How To Wire Up A Chevy Alternator books and manuals for download are incredibly convenient. With just a computer or smartphone and an internet connection, you can access a vast library of resources on any subject imaginable. Whether you're a student looking for textbooks, a professional seeking industry-specific manuals, or someone interested in self-improvement, these digital resources provide an efficient and accessible means of acquiring knowledge. Moreover, PDF books and manuals offer a range of benefits compared to other digital formats. PDF files are designed to retain their formatting regardless of the device used to open them. This ensures that the content appears exactly as intended by the author, with no loss of formatting or missing graphics. Additionally, PDF files can be easily annotated, bookmarked, and searched for specific terms, making them highly practical for studying or referencing. When it comes to accessing How To Wire Up A Chevy Alternator books and manuals, several platforms offer an extensive collection of resources. One such platform is Project Gutenberg, a nonprofit organization that provides over 60,000 free eBooks. These books are primarily in the public domain, meaning they can be freely distributed and downloaded. Project Gutenberg offers a wide range of classic literature, making it an excellent resource for literature enthusiasts. Another popular platform for How To Wire Up A Chevy Alternator books and manuals is Open Library.

Open Library is an initiative of the Internet Archive, a non-profit organization dedicated to digitizing cultural artifacts and making them accessible to the public. Open Library hosts millions of books, including both public domain works and contemporary titles. It also allows users to borrow digital copies of certain books for a limited period, similar to a library lending system. Additionally, many universities and educational institutions have their own digital libraries that provide free access to PDF books and manuals. These libraries often offer academic texts, research papers, and technical manuals, making them invaluable resources for students and researchers. Some notable examples include MIT OpenCourseWare, which offers free access to course materials from the Massachusetts Institute of Technology, and the Digital Public Library of America, which provides a vast collection of digitized books and historical documents. In conclusion, How To Wire Up A Chevy Alternator books and manuals for download have transformed the way we access information. They provide a cost-effective and convenient means of acquiring knowledge, offering the ability to access a vast library of resources at our fingertips. With platforms like Project Gutenberg, Open Library, and various digital libraries offered by educational institutions, we have access to an ever-expanding collection of books and manuals. Whether for educational, professional, or personal purposes, these digital resources serve as valuable tools for continuous learning and self-improvement. So why not take advantage of the vast world of How To Wire Up A Chevy Alternator books and manuals for download and embark on your journey of knowledge?

FAQs About How To Wire Up A Chevy Alternator Books

1. Where can I buy How To Wire Up A Chevy Alternator books? Bookstores: Physical bookstores like Barnes & Noble, Waterstones, and independent local stores. Online Retailers: Amazon, Book Depository, and various online bookstores offer a wide range of books in physical and digital formats.
2. What are the different book formats available? Hardcover: Sturdy and durable, usually more expensive. Paperback: Cheaper, lighter, and more portable than hardcovers. E-books: Digital books available for e-readers like Kindle or software like Apple Books, Kindle, and Google Play Books.
3. How do I choose a How To Wire Up A Chevy Alternator book to read? Genres: Consider the genre you enjoy (fiction, non-fiction, mystery, sci-fi, etc.). Recommendations: Ask friends, join book clubs, or explore online reviews and recommendations. Author: If you like a particular author, you might enjoy more of their work.
4. How do I take care of How To Wire Up A Chevy Alternator books? Storage: Keep them away from direct sunlight and in a dry environment. Handling: Avoid folding pages, use bookmarks, and handle them with clean hands. Cleaning: Gently

- dust the covers and pages occasionally.
5. Can I borrow books without buying them? Public Libraries: Local libraries offer a wide range of books for borrowing. Book Swaps: Community book exchanges or online platforms where people exchange books.
 6. How can I track my reading progress or manage my book collection? Book Tracking Apps: Goodreads, LibraryThing, and Book Catalogue are popular apps for tracking your reading progress and managing book collections. Spreadsheets: You can create your own spreadsheet to track books read, ratings, and other details.
 7. What are How To Wire Up A Chevy Alternator audiobooks, and where can I find them? Audiobooks: Audio recordings of books, perfect for listening while commuting or multitasking. Platforms: Audible, LibriVox, and Google Play Books offer a wide selection of audiobooks.
 8. How do I support authors or the book industry? Buy Books: Purchase books from authors or independent bookstores. Reviews: Leave reviews on platforms like Goodreads or Amazon. Promotion: Share your favorite books on social media or recommend them to friends.
 9. Are there book clubs or reading communities I can join? Local Clubs: Check for local book clubs in libraries or community centers. Online Communities: Platforms like Goodreads have virtual book clubs and discussion groups.
 10. Can I read How To Wire Up A Chevy Alternator books for free? Public Domain Books: Many classic books are available for free as they're in the public domain. Free E-books: Some websites offer free e-books legally, like Project Gutenberg or Open Library.

Find How To Wire Up A Chevy Alternator :

johnny smith goes to his speech pathologist

[journal secret tome 3 une photo pour deux](#)

journal of economic history volume 32 no 34

johnny unitas sports legend

[joker comix](#)

jonny love

[journal des fauxmonnayeurs](#)

[joint staff officers guide 1993](#)

jonathan winters is terminator 3

journaling your decembered grief to help through your loss

[joseph caillaux littfrature](#)

jonathan goes to the library baggette susan k jonathan adventures

[john wayne anthology](#)

josh kirbytime warrior last battle for the universe

johnson j. hooper

How To Wire Up A Chevy Alternator :

[amazon es cuaderno cosido moleskine](#) - Sep 07 2022

web saltar al contenido principal es hola elige tu dirección elige tu dirección

cuadernos moleskine - Dec 10 2022

web descubre una amplia selección de cuadernos diseñados para darle rienda suelta a tu ingenio category tamaño layout

moleskine cuadernos libretas y recambios el corte inglés - Apr 14 2023

web compra online en el corte inglés los mejores productos y las últimas novedades en papelería cuadernos libretas y recambios moleskine con devolución gratis en tienda

moleskine diario de bebé cuaderno temático cuaderno de - Apr 02 2022

web comprar moleskine diario de bebé cuaderno temático cuaderno de tapa dura para anotar y recordar los dos primeros años de la al mejor precio 2022 en tienda online de material escolar

quaderni moleskine - May 03 2022

web quaderni cahier set da 3 quaderni nero 16 90 best seller 1 quaderni cahier set da 3 quaderni rosso mirtollo 16 90 best seller 1 moleskine è un marchio registrato di moleskine srl a socio unico moleskine srl a socio unico via bergognone 34 20144 milano italia p iva cciaa n 07234480965 rea mi 1945400 cap soc

[amazon es cuadernos moleskine](#) - Jun 16 2023

web moleskine cuaderno clásico con hojas lisas tapa blanda y cierre elástico color negro tamaño grande 13 x 21 cm 192 hojas 19 574 50 comprados el mes pasado 18 18 pvpr 20 95 ahorra 5 al comprar 4 de esta selección entrega gratis el mié 27 de sept en tu primer pedido entrega más rápida mañana 25 de sept más opciones de compra

moleskine official website notebooks planners and more moleskine - Jun 04 2022

web get the app shop moleskine notebooks planners journals books bags pens pencils and accessories flexible and simple find out how to get free shipping

moleskine cuaderno de bienestar cuaderno temático cuaderno de - Jan 11 2023

web moleskine cuaderno de bienestar cuaderno temático cuaderno de tapa dura para hacer el seguimiento de tus objetivos

de salud y deportivos tamaño grande 13 x 21 cm 400 páginas aa vv amazon es oficina y papelería oficina y papelería productos de papel para oficina cuadernos blocs de notas y diarios blocs y cuadernos de notas *cuadernos moleskine los 10 más vendidos en amazon* - Jul 05 2022

web cuadernos clásicos de moleskine los cuadernos clásicos de moleskine son los más conocidos son ideales para tomar apuntes y dibujar su cubierta es de tapa dura e incluye una cinta elástica para cerrarlos cuenta con marca páginas de tela un bolsillo en la tapa posterior y hojas de color marfil

moleskine cuaderno de bebés null amazon es oficina y - Sep 19 2023

web compra online moleskine cuaderno de bebés envío en 1 día gratis con amazon prime

moleskine tienda oficial online agendas y libretas moleskine - May 15 2023

web descubre y compra agendas libretas cuadernos bolsas bolígrafos lápices y accesorios flexibles y simples descubre como conseguir el envío gratis

moleskine cuaderno de bebés - Oct 08 2022

web atesora y organiza cada nuevo paso de tu bebé desde el embarazo hasta los dos años vendido y enviado por amazon consulta en amazon el tiempo de entrega de este producto devolución gratuita 30 días política de devoluciones de amazon moleskine vikipedi - Nov 09 2022

web moleskine geçtiğimiz iki yüzyıldan beri van gogh picasso modo modo firması tarafından üretilen bu defterler geçtiğimiz yüzyılda suya dayanıklı mürekkebin doğuşuna da neden olmuş moleskine sahipleri yazılarını yağmura karşı bu mürekkeplerle korurken kaybetme ihtimaline karşı defterlerinin ilk sayfasına

caderno tipo moleskine elo brindes - Jan 31 2022

web caderno tipo moleskine com pauta personalizado prc213 ver produto comparar produto prc212 caderno a4 personalizado prc212 ver produto comparar produto prc210 diversos tipos de gravação para seu brinde personalizado alto relevo baixo relevo bordado cromia emborrachada etiqueta resinada laser impressão digital offset

moleskine diario de viaje de national geographic cuaderno - Aug 06 2022

web reseñas más importantes compra online moleskine diario de viaje de national geographic cuaderno para organizar los viajes y los vuelos incluye una suscripción anual a national geographic color negro 400 páginas envío en 1 día gratis con amazon prime

cuadernos moleskine - Jul 17 2023

web descubre una amplia selección de cuadernos diseñados para darle rienda suelta a tu ingenio category color tamaño moleskine sito ufficiale agende taccuini quaderni moleskine - Mar 01 2022

web ricomincia con spirito nuovo a partire da una borsa che ti tiene organizzato scopri le borse moleskine agende classic 18

mesi il tuo anno da luglio 2023 a dicembre 2024 scegli la tua moleskine è un marchio registrato di moleskine srl a socio unico moleskine srl a socio unico via bergognone 34 20144 milano italia p iva

amazon es moleskine cuadernos blocs de notas y diarios - Mar 13 2023

web moleskine cuaderno clásico con hojas lisas tapa blanda y cierre elástico color negro tamaño grande 13 x 21 cm 192 hojas 19 510 20 20 pvpr 20 95 ahorra 5 al comprar 4 de esta selección entrega gratis el mar 12 de sept en tu primer pedido entrega más rápida el dom 10 de sept más opciones de compra 13 43 25 ofertas usadas y nuevas

amazon com mx cuaderno moleskine - Feb 12 2023

web moleskine cuaderno clásico de papel punteado tapa dura y diario de cierre elástico color negro tamaño extragrande 19 x 25 cm 192 páginas 4 856 44849 precio de lista 545 75 recíbelo el martes 25 de julio envío gratis por amazon México

amazon es moleskine bebe - Aug 18 2023

web moleskine cuaderno de bebés 2 237 ofertas destacadas no disponibles 18 05 1 nueva oferta moleskine cuaderno clásico con hojas de rayas tapa blanda y cierre con goma elástica tamaño xl 19 x 25 cm color azul hortensia 192 páginas 933 27 90 ahorra 5 al comprar 4 de esta selección entrega gratis el dom 15 de oct en tu

guida a wattpad sonia lombardo wattpad - Apr 02 2023

web dec 18 2015 all interno troverete tutte le istruzioni per l uso della piattaforma sia su web che sui dispositivi mobili le principali tecniche di scrittura per tenere il lettore incollato

wattpad istruzioni per l uso guida strategica per - Aug 26 2022

web without difficulty as insight of this wattpad istruzioni per l uso guida strategica per can be taken as well as picked to act cultural mobility stephen greenblatt 2010 cultural

wattpad istruzioni per l uso guida strategica per pdf lia levi - Jan 31 2023

web jun 9 2023 we additionally come up with the money for variant types and in addition to type of the books to browse the usual book fiction history novel scientific research as

wattpad istruzioni per l uso kobo com - Aug 06 2023

web jan 10 2016 ios android leggi wattpad istruzioni per l uso guida strategica per ottenere il massimo dai racconti online di sonia lombardo disponibile su rakuten

wattpad istruzioni per l uso guida strategica per 2023 wp - May 23 2022

web dove le storie prendono vita scopri la piattaforma di narrativa social più amata al mondo wattpad connette una comunità globale di ottanta cinque milioni di lettori e scrittori

wattpad istruzioni per l uso guida strategica per ottenere il - Mar 01 2023

web wattpad istruzioni per l uso guida strategica per ottenere il massimo dai racconti online ebook written by sonia lombardo

read this book using google play books app on

wattpad istruzioni per l uso guida strategica per ott - Sep 07 2023

web sulla scia del successo ottenuto da anna todd il social network per eccellenza della scrittur wattpad istruzioni per l uso guida strategica per ottenere il massimo dai

wattpad su app store - Apr 21 2022

web jun 22 2023 as this wattpad istruzioni per l uso guida strategica per pdf it ends occurring being one of the favored book wattpad istruzioni per l uso guida

wattpad istruzioni per l uso overdrive - Jun 04 2023

web jan 10 2016 nel 4 ebook della serie guide alla letteratura 2 0 troverete tutte le istruzioni per l uso di wattpad sia su web che sui dispositivi mobili le principali

wattpad istruzioni per l uso guida strategica per lia levi - Jul 25 2022

web storia wattpad viene fondato nel 2006 a toronto da allen lau ingegnere elettronico laureato all università di toronto e ivan yuen ingegnere informatico laureato

wattpad istruzioni per l uso guida strategica per pdf - Oct 08 2023

web wattpad istruzioni per l uso guida strategica per downloaded from pantera adecco com by guest aniya oconnell imagines w by wattpad books

wattpad istruzioni per l uso guida strategica per copy - Dec 18 2021

web wattpad istruzioni per l uso guida strategica per 1 wattpad istruzioni per l uso guida strategica per open source intelligence tools and resources handbook once

4 modi per usare wattpad wikihow - Nov 28 2022

web linee guida per il contenuto su wattpad c è un ampia varietà di contenuti tuttavia tutte le storie presenti sulla piattaforma devono rispettare le linee guida per contenuto in

amazon com wattpad istruzioni per l uso guida strategica per - Jul 05 2023

web jan 10 2016 amazon com wattpad istruzioni per l uso guida strategica per ottenere il massimo dai racconti online guide alla letteratura 2 0 vol 4 italian edition ebook

wattpad istruzioni per l uso guida strategica per dev awamaki - Nov 16 2021

wattpad istruzioni per l uso guida strategica per pdf david - Mar 21 2022

web wattpad istruzioni per l uso guida strategica per catalog of copyright entries third series mar 19 2023 l esame per la patente di guida manuale teorico pratico per il

linee guida per genitori e famiglie wattpad - Oct 28 2022

web wattpad è una piattaforma online pensata ad hoc per gli amanti della scrittura e della lettura che si pone come obiettivo quello di far incontrare scrittori e lettori wattpad può

wattpad istruzioni per l uso apple books - May 03 2023

web jan 10 2016 nel 4 ebook della serie guide alla letteratura 2 0 troverete tutte le istruzioni per l uso di wattpad sia su web che sui dispositivi mobili le principali

wattpad istruzioni per l uso guida strategica per copy - Feb 17 2022

web 4 wattpad istruzioni per l uso guida strategica per 2021 04 02 you try magic once and it sticks to you like glitter glue when johnny and his best friend alison pass their

wattpad istruzioni per l uso guida strategica per download - Jan 19 2022

web wattpad istruzioni per l uso guida strategica per 1 wattpad istruzioni per l uso guida strategica per saving everest viral video content is king distribution is queen

come scrivere un libro su wattpad blogs youcanprint it - Sep 26 2022

web 4 wattpad istruzioni per l uso guida strategica per 2023 05 23 margaux motion through one of the most transformative periods of her life as she navigates her own

wattpad wikipedia - Jun 23 2022

web this extraordinary book aptly titled wattpad istruzioni per l uso guida strategica per written by a very acclaimed author immerses readers in a captivating exploration of the

wattpad istruzioni per l uso guida strategica per ottenere il fnac - Dec 30 2022

web guida strategica per ottenere il massimo dai racconti online wattpad istruzioni per l uso sonia lombardo sonia lombardo des milliers de livres avec la livraison chez vous en 1

discrete mathematical structures vtu amazon in - Dec 31 2022

web jan 1 2012 this book has been designed as per the course on discrete mathematical structures offered to third semester cse ise students of vtu this new edition continues to feature numerous computer science applications making this the ideal text for preparing students for advanced study read more previous page isbn 10

discrete mathematical structures 18cs36 dms vtu notes - Aug 07 2023

web discrete mathematical structures 18cs36 syllabus module 1 fundamentals of logic basic connectives and truth tables logic equivalence the laws of logic logical implication rules of inference fundamentals of logic contd the use of quantifiers quantifiers definitions and the proofs of theorems textbook 1 chapter2

discrete mathematics and its applications notes vtupulse - May 04 2023

web following are the contents of module 1 discrete mathematics and its applications mathematical induction proposition logic quantifiers laws of logic inference rules to download complete notes click the below link module 2 group theory sample notes module 2 discrete mathematics and its applications

[18cs36 discrete mathematical structures syllabus for cs vtu](#) - Oct 09 2023

web jan 24 2023 vtu syllabus cs 2018 scheme 3 sem discrete mathematical structures a d v e r t i s e m e n t module 1 fundamentals of logic 8 hours fundamentals of logic basic connectives and truth tables logic equivalence the laws of logic logical implication rules of inference fundamentals of logic contd

download discrete mathematical structures for vtu be 3rd - Oct 29 2022

web buy discrete mathematical structures for vtu be 3rd sem computer science engineering by prepared by top faculties of vtu pdf online from faculty notes download free sample and get upto 52 off on mrrp rental

vtu discrete mathematics ftp dartgo org - Jul 26 2022

web selected results and methods of discrete mathematics are discussed in a logically coherent fashion from the areas of mathematical logic set theory combinatorics binary relation and function boolean lattice planarity and group theory

3rd sem cse dms pdf notes discrete mathematical - Sep 27 2022

web discrete mathematical structures common to cse amp ise subject code 10cs34 i marks 25 hours week 04 exam hours 03 total hours 52 exam marks 100 part a unit 1 6 hours set theory sets and subsets set operations and the laws of set theory counting and venn diagrams a first word on probability countable and

free vtu text discrete mathematics portal sombridge edu so - Apr 22 2022

web primarily at computer science students the structured development of the mathematics enables this text to be used by undergraduate mathematicians scientists and others who require an understanding of discrete mathematics introduction to discrete mathematics via logic and proof sep 07 2022

[vtu text discrete mathematics data northitalia](#) - Jun 24 2022

web download vtu text discrete mathematics slibforyou pdf discrete mathematics notes vtu tips and tricks about buy discrete mathematical structures vtu book online at

vtu text discrete mathematics help environment harvard edu - May 24 2022

web a spiral workbook for discrete mathematics covers the standard topics in a sophomore level course in discrete mathematics logic sets proof techniques basic number theory functions relations and elementary combinatorics with an emphasis on motivation the text explains and clarifies the unwritten conventions in mathematics and

mod1 mod5 notes 18cs36 discrete mathematical structures - Jul 06 2023

web sep 14 2020 vtu sgpa cgpa calculator donate to us archive previous scheme notes 15cs73 machine learning 15ec81 lte

15ec82 fiber optics network 15ec833 re 8th sem ec civil 7th sem

dms solved paper jan 2021 discrete mathematical structures - Mar 02 2023

web model paper solution 1 dsdv studeersnel b v keizersgracht 424 1016 gc amsterdam kvk 56829787 btw nl852321363b01

solutions for the january 2021 vtU exam questions of discrete mathematical structures subject with subject code 18cs36

syportant note on completing your answers

discrete mathematical structures 18cs36 vtU studocu - Apr 03 2023

web year ratings studying discrete mathematical structures 18cs36 at visvesvaraya technological university on studocu you

will find practice materials lecture notes and much more

vtU library catalog details for discrete mathematics - Aug 27 2022

web discrete mathematics by sharma j k edition statement 4th edition published by laxmi publication new delhi physical

details 582 isbn 9789351381433 0425

vtU text discrete mathematics a3 phasescientific com - Mar 22 2022

web curricula of mathematics by creating a sequence of courses in discrete mathematics parallel to the traditional sequence

of calculus based courses the present book covers the foundations of discrete mathematics in seven chapters

18cs36 discrete mathematical structures vtU notes - Jun 05 2023

web vtU 18cs36 also known as discrete mathematical structures is a course offered by visvesvaraya technological university

vtU that focuses on fundamental mathematical concepts and structures that are discrete in nature this course is typically a

part of computer science and engineering programs and serves as a foundation for various

discrete mathematical structures syllabus for vtU be b all about vtU - Feb 01 2023

web aug 30 2019 text books ralph p grimaldi discrete and combinatorial mathematics 5th edition pearson education 2004

reference books basavaraj s anami and venakanna s madalli discrete mathematics a concept based approach universities

press 2016 kenneth h rosen discrete mathematics and its applications 6th edition

vtUtextdiscretemathematics 2 telcomanager - Feb 18 2022

web advanced discrete mathematics fundamentals of mathematical statistics foundations of data science applied discrete

structures discrete structures a treatise on discrete mathematical structures mathematics for machine learning discrete and

combinatorial mathematics advanced engineering mathematics discrete

vtU text discrete mathematics pdf portal sombridge edu so - Nov 29 2022

web vtU text discrete mathematics guide to discrete mathematics mar 06 2021 this stimulating textbook presents a broad and

accessible guide to the fundamentals of discrete mathematics highlighting how the techniques may be applied to various

exciting areas in computing the text is designed to motivate and inspire the reader encouraging further

18cs36 discrete mathematical structures notes vtupulse - Sep 08 2023

web 18cs36 discrete mathematical structures notes here you can download the vtu cbcs 2018 scheme notes question papers and study materials of discrete mathematical structures 18cs36