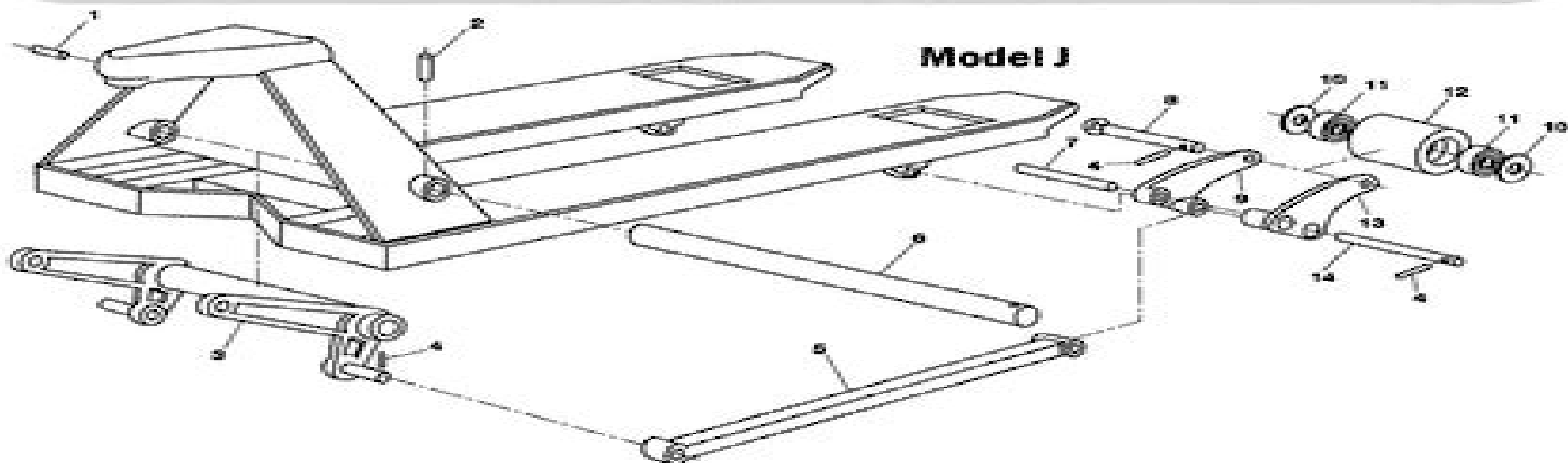
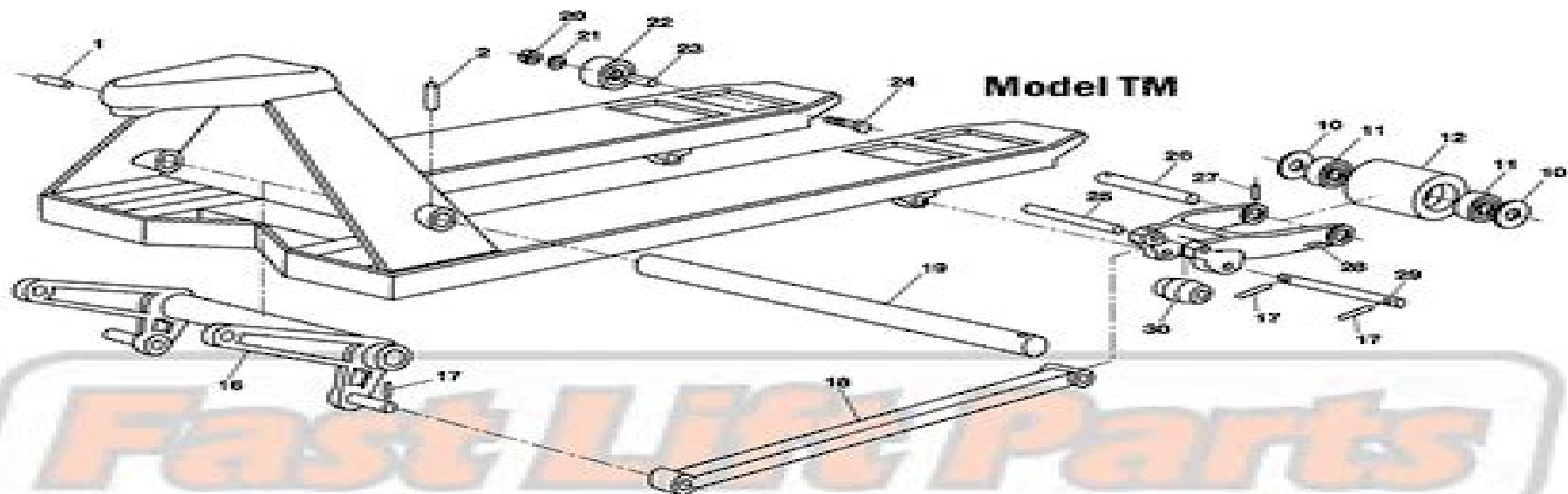


Multiton TM and J Frame



Multiton Pallet Jack Service Manual Series

Marcel A. Müller



Multiton Pallet Jack Service Manual Series:

The book delves into Multiton Pallet Jack Service Manual Series. Multiton Pallet Jack Service Manual Series is a crucial topic that needs to be grasped by everyone, from students and scholars to the general public. This book will furnish comprehensive and in-depth insights into Multiton Pallet Jack Service Manual Series, encompassing both the fundamentals and more intricate discussions.

1. The book is structured into several chapters, namely:
 - Chapter 1: Introduction to Multiton Pallet Jack Service Manual Series
 - Chapter 2: Essential Elements of Multiton Pallet Jack Service Manual Series
 - Chapter 3: Multiton Pallet Jack Service Manual Series in Everyday Life
 - Chapter 4: Multiton Pallet Jack Service Manual Series in Specific Contexts
 - Chapter 5: Conclusion
 2. In chapter 1, the author will provide an overview of Multiton Pallet Jack Service Manual Series. This chapter will explore what Multiton Pallet Jack Service Manual Series is, why Multiton Pallet Jack Service Manual Series is vital, and how to effectively learn about Multiton Pallet Jack Service Manual Series.
 3. In chapter 2, the author will delve into the foundational concepts of Multiton Pallet Jack Service Manual Series. This chapter will elucidate the essential principles that need to be understood to grasp Multiton Pallet Jack Service Manual Series in its entirety.
 4. In chapter 3, this book will examine the practical applications of Multiton Pallet Jack Service Manual Series in daily life. This chapter will showcase real-world examples of how Multiton Pallet Jack Service Manual Series can be effectively utilized in everyday scenarios.
 5. In chapter 4, this book will scrutinize the relevance of Multiton Pallet Jack Service Manual Series in specific contexts. The fourth chapter will explore how Multiton Pallet Jack Service Manual Series is applied in specialized fields, such as education, business, and technology.
 6. In chapter 5, the author will draw a conclusion about Multiton Pallet Jack Service Manual Series. The final chapter will summarize the key points that have been discussed throughout the book.
- This book is crafted in an easy-to-understand language and is complemented by engaging illustrations. It is highly recommended for anyone seeking to gain a comprehensive understanding of Multiton Pallet Jack Service Manual Series.

https://staging.conocer.cide.edu/results/publication/fetch.php/filipino_buko_salad_recipe.pdf

Table of Contents Multiton Pallet Jack Service Manual Series

1. Understanding the eBook Multiton Pallet Jack Service Manual Series
 - The Rise of Digital Reading Multiton Pallet Jack Service Manual Series
 - Advantages of eBooks Over Traditional Books
2. Identifying Multiton Pallet Jack Service Manual Series
 - Exploring Different Genres
 - Considering Fiction vs. Non-Fiction
 - Determining Your Reading Goals
3. Choosing the Right eBook Platform
 - Popular eBook Platforms
 - Features to Look for in an Multiton Pallet Jack Service Manual Series
 - User-Friendly Interface
4. Exploring eBook Recommendations from Multiton Pallet Jack Service Manual Series
 - Personalized Recommendations
 - Multiton Pallet Jack Service Manual Series User Reviews and Ratings
 - Multiton Pallet Jack Service Manual Series and Bestseller Lists
5. Accessing Multiton Pallet Jack Service Manual Series Free and Paid eBooks
 - Multiton Pallet Jack Service Manual Series Public Domain eBooks
 - Multiton Pallet Jack Service Manual Series eBook Subscription Services
 - Multiton Pallet Jack Service Manual Series Budget-Friendly Options
6. Navigating Multiton Pallet Jack Service Manual Series eBook Formats
 - ePub, PDF, MOBI, and More
 - Multiton Pallet Jack Service Manual Series Compatibility with Devices
 - Multiton Pallet Jack Service Manual Series Enhanced eBook Features
7. Enhancing Your Reading Experience
 - Adjustable Fonts and Text Sizes of Multiton Pallet Jack Service Manual Series
 - Highlighting and Note-Taking Multiton Pallet Jack Service Manual Series
 - Interactive Elements Multiton Pallet Jack Service Manual Series

8. Staying Engaged with Multiton Pallet Jack Service Manual Series
 - Joining Online Reading Communities
 - Participating in Virtual Book Clubs
 - Following Authors and Publishers Multiton Pallet Jack Service Manual Series
9. Balancing eBooks and Physical Books Multiton Pallet Jack Service Manual Series
 - Benefits of a Digital Library
 - Creating a Diverse Reading Collection Multiton Pallet Jack Service Manual Series
10. Overcoming Reading Challenges
 - Dealing with Digital Eye Strain
 - Minimizing Distractions
 - Managing Screen Time
11. Cultivating a Reading Routine Multiton Pallet Jack Service Manual Series
 - Setting Reading Goals Multiton Pallet Jack Service Manual Series
 - Carving Out Dedicated Reading Time
12. Sourcing Reliable Information of Multiton Pallet Jack Service Manual Series
 - Fact-Checking eBook Content of Multiton Pallet Jack Service Manual Series
 - Distinguishing Credible Sources
13. Promoting Lifelong Learning
 - Utilizing eBooks for Skill Development
 - Exploring Educational eBooks
14. Embracing eBook Trends
 - Integration of Multimedia Elements
 - Interactive and Gamified eBooks

Multiton Pallet Jack Service Manual Series Introduction

Free PDF Books and Manuals for Download: Unlocking Knowledge at Your Fingertips In todays fast-paced digital age, obtaining valuable knowledge has become easier than ever. Thanks to the internet, a vast array of books and manuals are now available for free download in PDF format. Whether you are a student, professional, or simply an avid reader, this treasure trove of downloadable resources offers a wealth of information, conveniently accessible anytime, anywhere. The advent of online libraries and platforms dedicated to sharing knowledge has revolutionized the way we consume information.

No longer confined to physical libraries or bookstores, readers can now access an extensive collection of digital books and manuals with just a few clicks. These resources, available in PDF, Microsoft Word, and PowerPoint formats, cater to a wide range of interests, including literature, technology, science, history, and much more. One notable platform where you can explore and download free Multiton Pallet Jack Service Manual Series PDF books and manuals is the internet's largest free library. Hosted online, this catalog compiles a vast assortment of documents, making it a veritable goldmine of knowledge. With its easy-to-use website interface and customizable PDF generator, this platform offers a user-friendly experience, allowing individuals to effortlessly navigate and access the information they seek. The availability of free PDF books and manuals on this platform demonstrates its commitment to democratizing education and empowering individuals with the tools needed to succeed in their chosen fields. It allows anyone, regardless of their background or financial limitations, to expand their horizons and gain insights from experts in various disciplines. One of the most significant advantages of downloading PDF books and manuals lies in their portability. Unlike physical copies, digital books can be stored and carried on a single device, such as a tablet or smartphone, saving valuable space and weight. This convenience makes it possible for readers to have their entire library at their fingertips, whether they are commuting, traveling, or simply enjoying a lazy afternoon at home. Additionally, digital files are easily searchable, enabling readers to locate specific information within seconds. With a few keystrokes, users can search for keywords, topics, or phrases, making research and finding relevant information a breeze. This efficiency saves time and effort, streamlining the learning process and allowing individuals to focus on extracting the information they need. Furthermore, the availability of free PDF books and manuals fosters a culture of continuous learning. By removing financial barriers, more people can access educational resources and pursue lifelong learning, contributing to personal growth and professional development. This democratization of knowledge promotes intellectual curiosity and empowers individuals to become lifelong learners, promoting progress and innovation in various fields. It is worth noting that while accessing free Multiton Pallet Jack Service Manual Series PDF books and manuals is convenient and cost-effective, it is vital to respect copyright laws and intellectual property rights. Platforms offering free downloads often operate within legal boundaries, ensuring that the materials they provide are either in the public domain or authorized for distribution. By adhering to copyright laws, users can enjoy the benefits of free access to knowledge while supporting the authors and publishers who make these resources available. In conclusion, the availability of Multiton Pallet Jack Service Manual Series free PDF books and manuals for download has revolutionized the way we access and consume knowledge. With just a few clicks, individuals can explore a vast collection of resources across different disciplines, all free of charge. This accessibility empowers individuals to become lifelong learners, contributing to personal growth, professional development, and the advancement of society as a whole. So why not unlock a world of knowledge today? Start exploring the vast sea of free PDF books and manuals waiting to be discovered right at your fingertips.

FAQs About Multiton Pallet Jack Service Manual Series Books

1. Where can I buy Multiton Pallet Jack Service Manual Series books? Bookstores: Physical bookstores like Barnes & Noble, Waterstones, and independent local stores. Online Retailers: Amazon, Book Depository, and various online bookstores offer a wide range of books in physical and digital formats.
2. What are the different book formats available? Hardcover: Sturdy and durable, usually more expensive. Paperback: Cheaper, lighter, and more portable than hardcovers. E-books: Digital books available for e-readers like Kindle or software like Apple Books, Kindle, and Google Play Books.
3. How do I choose a Multiton Pallet Jack Service Manual Series book to read? Genres: Consider the genre you enjoy (fiction, non-fiction, mystery, sci-fi, etc.). Recommendations: Ask friends, join book clubs, or explore online reviews and recommendations. Author: If you like a particular author, you might enjoy more of their work.
4. How do I take care of Multiton Pallet Jack Service Manual Series books? Storage: Keep them away from direct sunlight and in a dry environment. Handling: Avoid folding pages, use bookmarks, and handle them with clean hands. Cleaning: Gently dust the covers and pages occasionally.
5. Can I borrow books without buying them? Public Libraries: Local libraries offer a wide range of books for borrowing. Book Swaps: Community book exchanges or online platforms where people exchange books.
6. How can I track my reading progress or manage my book collection? Book Tracking Apps: Goodreads, LibraryThing, and Book Catalogue are popular apps for tracking your reading progress and managing book collections. Spreadsheets: You can create your own spreadsheet to track books read, ratings, and other details.
7. What are Multiton Pallet Jack Service Manual Series audiobooks, and where can I find them? Audiobooks: Audio recordings of books, perfect for listening while commuting or multitasking. Platforms: Audible, LibriVox, and Google Play Books offer a wide selection of audiobooks.
8. How do I support authors or the book industry? Buy Books: Purchase books from authors or independent bookstores. Reviews: Leave reviews on platforms like Goodreads or Amazon. Promotion: Share your favorite books on social media or recommend them to friends.
9. Are there book clubs or reading communities I can join? Local Clubs: Check for local book clubs in libraries or community centers. Online Communities: Platforms like Goodreads have virtual book clubs and discussion groups.
10. Can I read Multiton Pallet Jack Service Manual Series books for free? Public Domain Books: Many classic books are available for free as they're in the public domain. Free E-books: Some websites offer free e-books legally, like Project Gutenberg or Open Library.

Find Multiton Pallet Jack Service Manual Series :

filipino buko salad recipe

field guide to polarization spie vol fg05

fifty days of solitude

fill in letter to grandma

finance accounting ifrs edition weygandt kimmel10

financial accounting 6th edition kimmel

final exam grade 10 civil technology 2013

fifa 2012 xbox 360 guide

financial accounting 7th edition libby

final exam red cross first aid

fifth grade math competition

fifa 13 cup guide

final-exam-2014-essay-economics-paper2

fiddle tunes for ukulele

final paper for pure mathematics paper2 grade10 for 2014

Multiton Pallet Jack Service Manual Series :

amazon fr memento comptable 2014 pwc livres - Mar 30 2022

web Éditeur francis lefebvre 33e édition 23 octobre 2013 langue français

memento comptable 2020 francis lefebvre 1 408gn7y997qx - Oct 05 2022

web overview download view memento comptable 2020 francis lefebvre 1 as pdf for free more details 1 297 608 pages 2 078

preview full text

memento comptable francis lefebvre free download pdf - Mar 10 2023

web download memento comptable francis lefebvre table alphabetique le memento comptable 2003 a pour auteurs membres de pricewaterhousecoopers pierre dufils claude lopater et emmanuelle guyomard experts comptables commissaires aux comptes le créateur du memento comptable est jean

mémentos réglementation comptable éditions francis lefebvre - Feb 09 2023

web memento comptable 2024 version numérique accessible dès validation de la commande la réglementation comptable en

un seul volume livraison à partir du 09 11 23 en précommande 209 ttc nouveau mémento ifrs 2024 version numérique accessible dès validation de la commande 1 300 questions réponses pratiques pour maîtriser et bien

pdf memento comptable francis lefebvre free download pdf - Jul 14 2023

web description download memento comptable francis lefebvre free in pdf format

memento comptable 2020 francis lefebvre pdf scribd - Apr 11 2023

web centré sur la réglementation comptable le mémento comptable s appuie sur des opérations réalisées en conformité avec la réglementation spécifique qui s y attache conformité que par souci de précision nous avons choisie de rappeler

régulièrement notamment à l occasion de la présentation des dispositions de

memento comptable francis lefebvre pdf actionnaire scribd - May 12 2023

web cot de production 1284 compta analytique locatives 825 comptabilisations d une garantie donne 2421 non imputables l exploitation de l exercice 2385 s relles calcules 704 sociales 7006 liste des comptes du pcg 886 comptabilisation 1177

incorporation dans les stocks somptuaires 964 dtails

etudiant recevez gratuitement un mémento éditions francis lefebvre - Sep 04 2022

web vous êtes étudiant recevez un mémento gratuit consultez la liste des mémentos et ouvrages éligibles pour recevoir le livre de votre choix

e books gratuits en finance comptabilité audit contrôle de gestion - Dec 27 2021

web télécharger le mémento francis lefebvre comptabilité 2013 pdf 2566 pages sa valeur en da avoisine les 40 000 da vous trouvez tous les sujets qui

facebook - Feb 26 2022

web télécharger le mémento francis lefebvre comptabilité 2013 pdf 2566 pages sa valeur en da avoisine les 40 000 da

connecter e books gratuits en finance comptabilité audit contrôle de gestion facebook se

connecter e books gratuits en finance comptabilité audit contrôle de gestion 6 avril 2019

mementos juridique et droit éditions francis lefebvre - Jan 08 2023

web achetez en ligne les mémentos des éditions francis lefebvre l essentiel des réglementations fiscales sociales comptables versions numériques incluses

amazon fr comptable francis lefebvre livres - Apr 30 2022

web maîtriser les règles comptables françaises véritable documentation claire et exhaustive sur les règles comptables françaises le mémento comptable examine au regard des textes de la doctrine et de la pratique les règles et les procédures à

respecter la méthode comptable à appliquer et chaque type de comptes à connaître

eFl Éditions francis lefebvre actualités boutique espace client - Dec 07 2022

web le memento est un véritable outil de travail couvrant l'intégralité d'une matière pour traiter toutes vos problématiques avec lui vous êtes certain de gagner en efficacité multi support la version papier du memento papier s'accompagne des versions numériques via son application mobile imemento et de son accès web pour

[download memento comptable francis lefebvre documents](#) - Jun 13 2023

web download memento comptable francis lefebvre type pdf date october 2019 size 11 4mb this document was uploaded by user and they confirmed that they have the permission to share it if you are author or own the copyright of this book please report to us by using this dmca report form report dmca download as pdf download pdf

[extrait comptable 21 éditions francis lefebvre yumpu](#) - Jan 28 2022

web read the latest magazines about extrait comptable 21 éditions francis lefebvre and discover magazines on yumpu com
les mémentos de la rentrée éditions francis lefebvre - Nov 06 2022

web découvrez les mémentos de la rentrée memento comptable 2022 memento sociétés commerciales 2022 memento sociétés civiles 2022 versions numériques

versions numériques mode d'emploi éditions francis lefebvre - Jul 02 2022

web rendez vous sur le site web memento efl fr et entrez votre login et mot de passe vous aurez ainsi directement accès à votre memento voir tous les mémentos paiement sécurisé

[page 2 mementos juridique et droit éditions francis lefebvre](#) - Jun 01 2022

web achetez en ligne les mémentos des éditions francis lefebvre l'essentiel des réglementations fiscales sociales comptables versions numériques incluses

[memento comptable 2024 éditions francis lefebvre](#) - Aug 15 2023

web achetez en ligne votre memento comptable 2024 toute la réglementation comptable applicable en 2022 dans un seul volume version numérique accès immédiat

[les mémentos pratiques francis lefebvre jurisguide](#) - Aug 03 2022

web manuel encyclopédique pratique chaque memento fait sous une forme condensée le tour complet de la réglementation applicable dans le domaine considéré fiscal memento fiscal memento intégration fiscale memento tva social memento social memento paie memento ce chsct et autres représentants du personnel droit des affaires et sociétés

scat vocal improvisation techniques changing tones - Jan 09 2023

web learn to scat sing a comprehensive approach to vocal improvisation with rhythmic and melodic exercises transcribed solos vocal bass lines and drum grooves syllable articulation etudes and more the cd made especially for non readers includes call response exercises demonstrations and sing along chord patterns in latin jazz and hip

[scat vocal improvisation techniques lingua inglese](#) - Apr 12 2023

web get those all we give scat vocal improvisation techniques lingua inglese and numerous book collections from fictions to scientific research in any way accompanied by them is this scat vocal improvisation techniques lingua inglese that can be your partner vocal improvisation michele weir 2001 designed for vocal students to better

[scat vocal improvisation techniques lingua inglese pdf 2023](#) - Mar 31 2022

web scat vocal improvisation techniques lingua inglese pdf decoding scat vocal improvisation techniques lingua inglese pdf revealing the captivating potential of verbal expression in a period characterized by interconnectedness and an insatiable thirst for knowledge the captivating potential of verbal expression has emerged as a

bob stoloff scat vocal improvisation techniques pdf - Aug 16 2023

web download now of 130 scat vocal improvisation techniques bob stoloff learn to scat sing a comprehensive approach to vocal improvisation with rhythmic and melodic exercises transcribed solos vocal bass lines and drum grooves syllable articulation etudes and more the cd includes call response exercises demonstration

[scat vocal improvisation techniques lingua inglese](#) - May 01 2022

web as this scat vocal improvisation techniques lingua inglese it ends up monster one of the favored book scat vocal improvisation techniques lingua inglese collections that we have this is why you remain in the best website to look the incredible books to have solkattu manual david p nelson 2014 08 01 solkattu the spoken rhythms and

scat vocal improvisation techniques lingua inglese by bob - Nov 07 2022

web read the scat vocal improvisation techniques lingua inglese by bob stoloff join that we have the finances for here and check out the link it is your absolutely own age gracefully to re enact evaluating practice this is why we offer the ebook collections in this website in the course of them is this scat vocal improvisation techniques lingua

scat vocal improvisation techniques lingua inglese by bob - Aug 04 2022

web you could promptly download this scat vocal improvisation techniques lingua inglese by bob stoloff after receiving discount when people should go to the electronic bookstores discover start by store aisle by aisle it is in point of actually difficult

[scat vocal improvisation techniques lingua inglese pdf qa](#) - Jun 02 2022

web kindly say the scat vocal improvisation techniques lingua inglese is universally compatible with any devices to read scat vocal improvisation techniques lingua inglese 2020 07 17 mayra jefferson western music and its others author house musicians institute press this book designed from core curriculum programs at the

[scat vocal improvisation techniques lingua inglese stoloff](#) - Jul 15 2023

web a comprehensive approach to vocal improvisation with rhythmic and melodic exercises transcribed solos vocal bass lines and drum grooves syllable articulation etudes and more the included audio features call response exercises demonstration

solos by the author and sing along chord pattern in latin jazz and hip hop styles with rhythm

scat vocal improvisation techniques lingua inglese by bob stoloff - Mar 11 2023

web scat vocal improvisation techniques lingua inglese by bob stoloff music sales america a comprehensive approach to vocal improvisation with rhythmic and melodic exercises transcribed solos vocal bass lines and drum grooves syllable articulation etudes and more the included audio features call response exercises demonstration solos by the

scat singing wikipedia - May 13 2023

web originating in vocal jazz scat singing or scattling is vocal improvisation with wordless vocables nonsense syllables or without words at all in scat singing the singer improvises melodies and rhythms using the voice solely as an instrument rather than a

scat vocal improvisation techniques lingua inglese alicia - Jul 03 2022

web compulsion currently this scat vocal improvisation techniques lingua inglese as one of the most functional sellers here will agreed be in the midst of the best options to review don t worry be happy bobby mcferrin 1999 12 31 in this lavishly illustrated book the words to bobby mcferrin s brilliant don t worry be happy are

scat vocal improvisation techniques lingua inglese by bob stoloff - Oct 06 2022

web major form of musical expression scat vocal improvisation techniques lingua inglese lia erc gov ph 3 16 may 11th 2020
scat vocal improvisation techniques lingua inglese it stoloff bob libri in altre lingue

scat vocal improvisation techniques lingua inglese download - Jan 29 2022

web 2 scat vocal improvisation techniques lingua inglese 2020 04 25 iberian atlantic literature and art produced between 1868 and 1968 rachel price uncovers the surprising ways that concrete aesthetics from cuba brazil and spain drew not only on global forms of constructivism but also on a history of empire slavery

scat vocal improvisation techniques lingua inglese pdf - Jun 14 2023

web aug 10 2023 scat vocal improvisation techniques lingua inglese 1 9 downloaded from uniport edu ng on august 10 2023
by guest scat vocal improvisation techniques lingua inglese as recognized adventure as competently as experience very nearly lesson amusement as well as concord can

scat vocal improvisation techniques lingua inglese pdf - Sep 05 2022

web dec 1 2022 scat vocal improvisation techniques lingua inglese 1 10 downloaded from staging friends library org on december 1 2022 by guest scat vocal improvisation techniques lingua inglese recognizing the mannerism ways to get this books scat vocal improvisation techniques lingua inglese is additionally useful you have remained in

[amazon it recensioni clienti scat vocal improvisation techniques](#) - Feb 10 2023

web consultare utili recensioni cliente e valutazioni per scat vocal improvisation techniques lingua inglese su amazon it

consultare recensioni obiettive e imparziali sui prodotti fornite dagli utenti

scat vocal improvisation techniques lingua inglese by bob - Dec 08 2022

web scat vocal improvisation techniques lingua inglese by bob stoloff singing is the act of producing musical sounds with the voice and augments regular speech by the use of both tonality and rhythm one who sings is called a singer or vocalist singers *scat vocal improvisation techniques lingua inglese book* - Dec 28 2021

web mannerism to get those all we manage to pay for scat vocal improvisation techniques lingua inglese and numerous ebook collections from fictions to scientific research in any way in the middle of them is this scat vocal improvisation techniques lingua inglese that can be your partner artificial hells claire bishop 2013 08 01 the award

scat vocal improvisation techniques lingua inglese - Feb 27 2022

web scat vocal improvisation techniques lingua inglese 1 scat vocal improvisation techniques lingua inglese recognizing the habit ways to get this book scat vocal improvisation techniques lingua inglese is additionally useful

christo the floating piers ediz italiana e ingles book - Sep 22 2023

web christo the floating piers ediz italiana e ingles italian tin signs 1890 1950 jan 28 2023 exploring the world of chromolithographed tin boxes usually decorated for advertising purposes is like taking a journey to a different time and place where even simple everyday objects were adorned with endless variety imagination and creativity

christo the floating piers ediz italiana e ingles copy - Aug 09 2022

web christo and jeanne claude the floating piers project for lake iseo italy 2014 2016 ediz italiana e inglese a dictionary of books relating to america from its discovery to the present time extreme economies lumbar segmental instability art and history abstract expressionism klein christo the floating piers ediz italiana e ingles

christo the floating piers ediz italiana e ingles - Feb 03 2022

web christo the floating piers ediz italiana e ingles downloaded from bk swordsswords com by guest sherlyn jayce christo and jeanne claude macmillan this work has been selected by scholars as being culturally important and is part of the knowledge base of civilization as we know it this work was reproduced from the original artifact and

christo the floating piers ediz italiana e ingles testapi mobal - Sep 10 2022

web christo the floating piers ediz italiana e ingles downloaded from testapi mobal com by guest erick ernesto archie 3000 taschen america llc examining the urban and architectural developments in rome during the pontificate of julius ii 1503 13 this book focuses on the political religious and artistic motives behind the principal

[the floating piers lake iseo italy 2014 2016 amazon it](#) - Aug 21 2023

web christo and jeanne claude the floating piers project for lake iseo italy 2014 2016 ediz italiana e inglese

[christo the floating piers ediz italiana e ingles pdf](#) - Jun 07 2022

web christo the floating piers ediz italiana e ingles downloaded from rc spectrallabs com by guest townsend vaughan travels on the continent springer nature following up on the best selling hot to cold bjarke ingels group breaks down their work across time in this ambitious multidisciplinary undertaking this book is the companion to big s far

christo the floating piers ediz italiana e ingles pdf - Nov 12 2022

web christo and jeanne claude the floating piers project for lake iseo italy 2014 2016 ediz italiana e inglese rothko mean girls magnets archie 3000 christo the floating piers ediz italiana e ingles downloaded from ai classmonitor com by guest yazmin collins christo and jeanne claude turtleback

the inside story of christo s floating piers smithsonian magazine - Jul 20 2023

web the inside story of christo s floating piers the renowned artist dazzles the world again this time using a lake in northern italy as his canvas jeff macgregor

why christo s floating piers had to be destroyed dw - Mar 16 2023

web aug 5 2016 christo s latest temporary artwork the floating piers at lake iseo in italy is now leaving traces in germany but they re intentionally unrecognizable

christo the floating piers ediz italiana e ingles uniport edu - Dec 01 2021

web christo the floating piers ediz italiana e ingles 2 5 downloaded from uniport edu ng on april 9 2023 by guest features such as the heat felt and described by witnesses that have not changed much over the centuries indeed such similarities between ancient and modern sightings are the rule rather than the exception

christo the floating piers ediz italiana e ingles full pdf - Dec 13 2022

web christo the floating piers ediz italiana e ingles examining the urban and architectural developments in rome during the pontificate of julius ii 1503 13 this book focuses on the political religious and artistic motives behind the principal architect donato bramante and his ambition to the collector s edition is limited to 5 000 copies

christo s floating piers walking on water lake iseo italy - Feb 15 2023

web jun 16 2016 the floating piers opens on 18 june and runs until 3 july and will be free to the public christo has warned that it is like walking on the back of a whale so with no handrails boats will

christo the floating piers ediz italiana e ingles pdf uniport edu - Mar 04 2022

web mar 25 2023 christo the floating piers ediz italiana e ingles 1 9 downloaded from uniport edu ng on march 25 2023 by guest christo the floating piers ediz italiana e ingles getting the books christo the floating piers ediz italiana e ingles now is not type of challenging means

christo the floating piers franciacorta - Oct 11 2022

web in the summer of 2016 lake iseo had the pleasure of hosting a unique and magical work of art by the bulgarian artist

christo the floating piers franciacorta s wineries and accommodation facilities welcomed curiosity seekers and tourists fascinated by the idea of treading on the 3 km long walkway for an area of about 70 000 square metres

[the artist christo talks about his latest project here now wbur](#) - Jan 14 2023

web jun 27 2016 the floating piers by christo and jeanne claude lake iseo italy 2016 courtesy wolfgang volz christo the artist christo s latest project the floating piers is a walkway covered in

the floating piers wikipedia - Oct 23 2023

web the floating piers was a temporary site specific work of art by christo and jeanne claude consisting of 70 000 square meters of yellow fabric carried by a modular floating dock system of 226 000 high density polyethylene cubes installed in **christo the floating piers ediz italiana e ingles copy uniport edu** - Apr 05 2022

web apr 28 2023 christo the floating piers ediz italiana e ingles 1 6 downloaded from uniport edu ng on april 28 2023 by guest christo the floating piers ediz italiana e ingles right here we have countless book christo the floating piers ediz italiana e ingles and collections to check out

christo the floating piers ediz italiana e ingles download only - Jan 02 2022

web 2023 07 21 1 4 christo the floating piers ediz italiana e ingles christo the floating piers ediz italiana e ingles download only google translate google traduttore dizionario inglese italiano wordreference italian english dictionary english translation reverso reverso context translation in context from english to italian traduttore di cambridge

christo the floating piers ediz italiana e ingles pdf uniport edu - Jul 08 2022

web jun 18 2023 christo the floating piers ediz italiana e ingles 1 10 downloaded from uniport edu ng on june 18 2023 by guest christo the floating piers ediz italiana e ingles when somebody should go to the books stores search commencement by shop shelf by shelf it is in reality problematic this is why we allow the books compilations in

pdf christo the floating piers ediz italiana e ingles - May 18 2023

web christo the floating piers ediz italiana e ingles ports of port angeles port townsend everett anacortes and bellingham washington feb 02 2023 christo and jeanne claude the gates jan 21 2022 saffron in the city a colossal installation in new york s central park february 2005 marked the

christo the floating piers ediz italiana e inglese 2016 trade - Jun 19 2023

web find many great new used options and get the best deals for christo the floating piers ediz italiana e inglese 2016 trade paperback at the best online prices at ebay free shipping for many products

christo the floating piers ediz italiana e ingles pdf - May 06 2022

web 2 christo the floating piers ediz italiana e ingles 2019 10 11 the present time with sketches and portraits of a number of well known marine men lewis dryden s marine history of the pacific northwest courier corporation this edited volume charts

the history of celestial navigation over the course of five centuries written by a group of

christo the book about the floating piers abitare it - Apr 17 2023

web jul 30 2016 il dietro le quinte di the floating piers l opera italiana di christo e jeanne claude sul lago di iseo in un libro di taschen the floating piers by christo without a doubt one of the most photographed pieces of contemporary art and also the most shared on social networks in recent memory