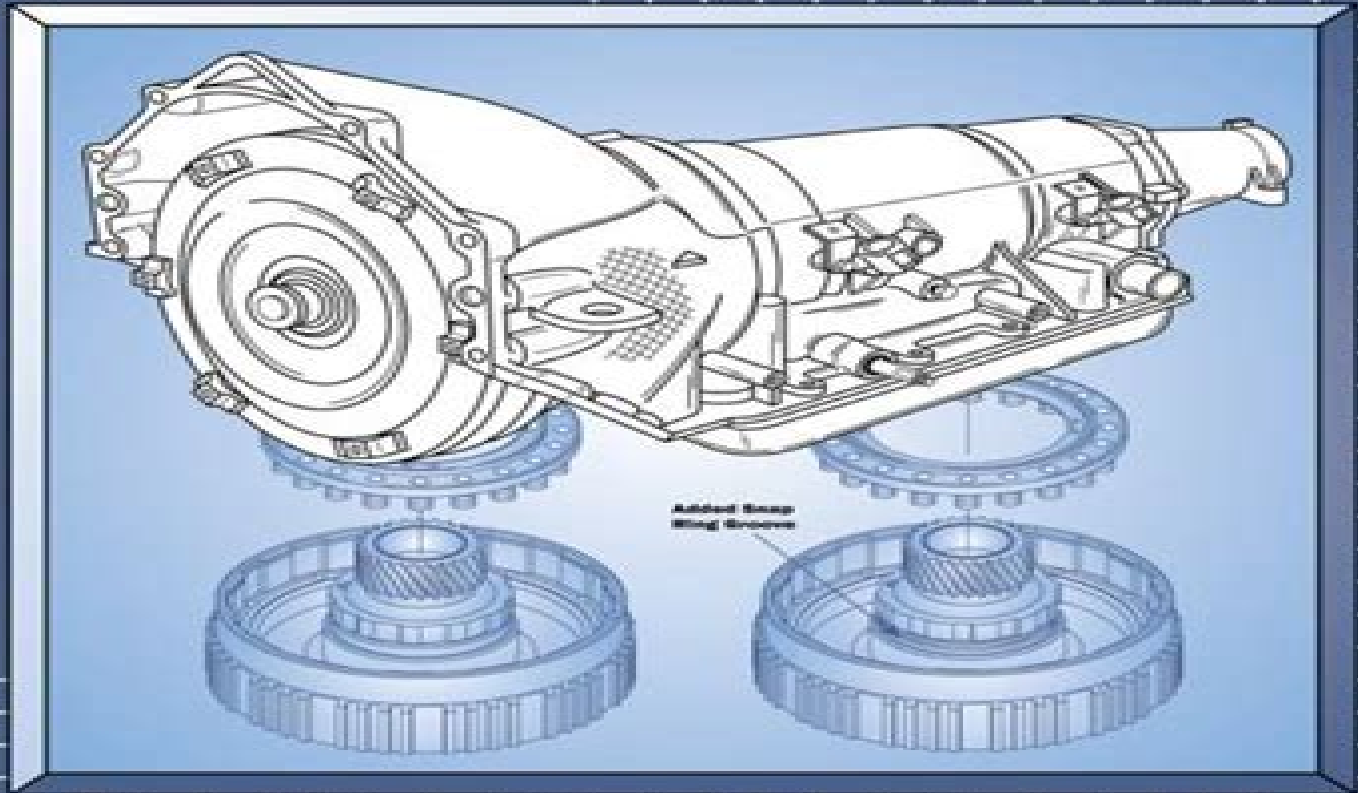


**2004**



**NEW UPDATES  
AND CHANGES  
INCLUDED!**

# Gm 4l85e Service Manual

**RJ Alexander**



## **Gm 4l85e Service Manual:**

*1999 General Motors S/T Truck* General Motors Corporation,1998      **1999 Chevrolet & GMC S/T Truck Service Manual** GM Corporation,2022-04-10 This 1999 Chevrolet GMC S T Truck Service Manual is a high quality licensed PRINT reproduction of the service manual authored by General Motors Corporation and published by Detroit Iron This OEM factory manual is 8 5 x 11 inches paperback bound shrink wrapped and contains 5212 pages of comprehensive mechanical instructions with detailed diagrams photos and specifications for the mechanical components of your vehicle such as the engine transmission suspension brakes fuel exhaust steering electrical and drive line Service repair manuals were originally written by the automotive manufacturer to be used by their dealership mechanics The following 1999 Chevrolet GMC models are covered S10 Blazer Jimmy Sonoma This factory written Detroit Iron shop manual is perfect for the restorer or anyone working on one of these vehicles      **General Motors V-drive Transmission Service Manual** General Motors Corporation. Allison Division,1970      *DS and GS Maintenance Manual* United States. Department of the Army,1965      **1998 Chevrolet & GMC S/T Truck Service Manual** GM Corporation,2022-04-10 This 1998 Chevrolet GMC S T Truck Service Manual is a high quality licensed PRINT reproduction of the service manual authored by General Motors Corporation and published by Detroit Iron This OEM factory manual is 8 5 x 11 inches paperback bound shrink wrapped and contains 5034 pages of comprehensive mechanical instructions with detailed diagrams photos and specifications for the mechanical components of your vehicle such as the engine transmission suspension brakes fuel exhaust steering electrical and drive line Service repair manuals were originally written by the automotive manufacturer to be used by their dealership mechanics The following 1998 Chevrolet GMC models are covered S10 Blazer Jimmy Sonoma This factory written Detroit Iron shop manual is perfect for the restorer or anyone working on one of these vehicles      **4-speed Synchronesh Transmission Service Manual, Oldsmobile F-85** General Motors Corporation. Oldsmobile Division,1962      *1995 Chevrolet & GMC S/T Truck Shop Manual* GM Corporation,2020-05-10 This 1995 Chevrolet GMC S T Truck Shop Manual is a high quality licensed PRINT reproduction of the service manual authored by General Motors Corporation and published by Detroit Iron This OEM factory manual is 8 5 x 11 inches paperback bound shrink wrapped and contains 1844 pages of comprehensive mechanical instructions with detailed diagrams photos and specifications for the mechanical components of your vehicle such as the engine transmission suspension brakes fuel exhaust steering electrical and drive line Service repair manuals were originally written by the automotive manufacturer to be used by their dealership mechanics The following 1995 Chevrolet GMC models are covered S10 Blazer Jimmy Sonoma This factory written Detroit Iron shop manual is perfect for the restorer or anyone working on one of these vehicles      *Direct and General Support Maintenance Manual for Transmission Assembly, Automatic, Model TX 200-2A, Allison Division, GM, 2520-860-7342, Transmission Assembly, Automatic, Model TX 200-2B, Allison Division, GM, 2520-964-9207, Transmission Assembly, Automatic, Model TX 200-6, Allison Division, GM, 2520-045-3108* ,1969      1986

Chevy LD Truck Unit Repair Manual GM Corporation,2020-05-10 This 1986 Chevy LD Truck Unit Repair Manual is a high quality licensed PRINT reproduction of the service manual authored by General Motors Corporation and published by Detroit Iron This OEM factory manual is 8 5 x 11 inches paperback bound shrink wrapped and contains 832 pages of comprehensive mechanical instructions with detailed diagrams photos and specifications for the mechanical components of your vehicle such as the engine transmission suspension brakes fuel exhaust steering electrical and drive line Service repair manuals were originally written by the automotive manufacturer to be used by their dealership mechanics The following 1986 Chevrolet models are covered C10 C10 Suburban C20 C20 Suburban C30 K10 K10 Suburban K20 K20 Suburban K30 K5 Blazer Astro G10 G20 G30 P20 P30 S10 S10 Blazer This factory written Detroit Iron shop manual is perfect for the restorer or anyone working on one of these vehicles

1993 Chevrolet Light Duty Truck Fuel & Emissions Service Manual GM Corporation,2020-05-10 This 1993 Chevrolet Light Duty Truck Fuel Emissions Service Manual is a high quality licensed PRINT reproduction of the service manual authored by General Motors Corporation and published by Detroit Iron This OEM factory manual is 8 5 x 11 inches paperback bound shrink wrapped and contains 872 pages of comprehensive mechanical instructions with detailed diagrams photos and specifications for the mechanical components of your vehicle such as the engine transmission suspension brakes fuel exhaust steering electrical and drive line Service repair manuals were originally written by the automotive manufacturer to be used by their dealership mechanics The following 1993 Chevrolet models are covered Blazer C1500 C1500 Suburban C2500 C2500 Suburban C3500 K1500 K1500 Suburban K2500 K2500 Suburban K3500 S10 S10 Blazer Astro G10 G20 G30 P30 This factory written Detroit Iron shop manual is perfect for the restorer or anyone working on one of these vehicles

Eventually, you will utterly discover a new experience and achievement by spending more cash. still when? reach you admit that you require to get those every needs next having significantly cash? Why dont you try to get something basic in the beginning? Thats something that will guide you to comprehend even more in this area the globe, experience, some places, taking into account history, amusement, and a lot more?

It is your unconditionally own mature to doing reviewing habit. in the course of guides you could enjoy now is **Gm 4l85e Service Manual** below.

[https://staging.conocer.cide.edu/public/Resources/HomePages/Ms\\_137\\_Summer\\_Packet\\_7.pdf](https://staging.conocer.cide.edu/public/Resources/HomePages/Ms_137_Summer_Packet_7.pdf)

## **Table of Contents Gm 4l85e Service Manual**

1. Understanding the eBook Gm 4l85e Service Manual
  - The Rise of Digital Reading Gm 4l85e Service Manual
  - Advantages of eBooks Over Traditional Books
2. Identifying Gm 4l85e Service Manual
  - Exploring Different Genres
  - Considering Fiction vs. Non-Fiction
  - Determining Your Reading Goals
3. Choosing the Right eBook Platform
  - Popular eBook Platforms
  - Features to Look for in an Gm 4l85e Service Manual
  - User-Friendly Interface
4. Exploring eBook Recommendations from Gm 4l85e Service Manual
  - Personalized Recommendations
  - Gm 4l85e Service Manual User Reviews and Ratings
  - Gm 4l85e Service Manual and Bestseller Lists
5. Accessing Gm 4l85e Service Manual Free and Paid eBooks

- Gm 4l85e Service Manual Public Domain eBooks
  - Gm 4l85e Service Manual eBook Subscription Services
  - Gm 4l85e Service Manual Budget-Friendly Options
6. Navigating Gm 4l85e Service Manual eBook Formats
    - ePub, PDF, MOBI, and More
    - Gm 4l85e Service Manual Compatibility with Devices
    - Gm 4l85e Service Manual Enhanced eBook Features
  7. Enhancing Your Reading Experience
    - Adjustable Fonts and Text Sizes of Gm 4l85e Service Manual
    - Highlighting and Note-Taking Gm 4l85e Service Manual
    - Interactive Elements Gm 4l85e Service Manual
  8. Staying Engaged with Gm 4l85e Service Manual
    - Joining Online Reading Communities
    - Participating in Virtual Book Clubs
    - Following Authors and Publishers Gm 4l85e Service Manual
  9. Balancing eBooks and Physical Books Gm 4l85e Service Manual
    - Benefits of a Digital Library
    - Creating a Diverse Reading Collection Gm 4l85e Service Manual
  10. Overcoming Reading Challenges
    - Dealing with Digital Eye Strain
    - Minimizing Distractions
    - Managing Screen Time
  11. Cultivating a Reading Routine Gm 4l85e Service Manual
    - Setting Reading Goals Gm 4l85e Service Manual
    - Carving Out Dedicated Reading Time
  12. Sourcing Reliable Information of Gm 4l85e Service Manual
    - Fact-Checking eBook Content of Gm 4l85e Service Manual
    - Distinguishing Credible Sources
  13. Promoting Lifelong Learning
    - Utilizing eBooks for Skill Development

- Exploring Educational eBooks
14. Embracing eBook Trends
- Integration of Multimedia Elements
  - Interactive and Gamified eBooks

### **Gm 4l85e Service Manual Introduction**

In this digital age, the convenience of accessing information at our fingertips has become a necessity. Whether its research papers, eBooks, or user manuals, PDF files have become the preferred format for sharing and reading documents. However, the cost associated with purchasing PDF files can sometimes be a barrier for many individuals and organizations. Thankfully, there are numerous websites and platforms that allow users to download free PDF files legally. In this article, we will explore some of the best platforms to download free PDFs. One of the most popular platforms to download free PDF files is Project Gutenberg. This online library offers over 60,000 free eBooks that are in the public domain. From classic literature to historical documents, Project Gutenberg provides a wide range of PDF files that can be downloaded and enjoyed on various devices. The website is user-friendly and allows users to search for specific titles or browse through different categories. Another reliable platform for downloading Gm 4l85e Service Manual free PDF files is Open Library. With its vast collection of over 1 million eBooks, Open Library has something for every reader. The website offers a seamless experience by providing options to borrow or download PDF files. Users simply need to create a free account to access this treasure trove of knowledge. Open Library also allows users to contribute by uploading and sharing their own PDF files, making it a collaborative platform for book enthusiasts. For those interested in academic resources, there are websites dedicated to providing free PDFs of research papers and scientific articles. One such website is Academia.edu, which allows researchers and scholars to share their work with a global audience. Users can download PDF files of research papers, theses, and dissertations covering a wide range of subjects. Academia.edu also provides a platform for discussions and networking within the academic community. When it comes to downloading Gm 4l85e Service Manual free PDF files of magazines, brochures, and catalogs, Issuu is a popular choice. This digital publishing platform hosts a vast collection of publications from around the world. Users can search for specific titles or explore various categories and genres. Issuu offers a seamless reading experience with its user-friendly interface and allows users to download PDF files for offline reading. Apart from dedicated platforms, search engines also play a crucial role in finding free PDF files. Google, for instance, has an advanced search feature that allows users to filter results by file type. By specifying the file type as "PDF," users can find websites that offer free PDF downloads on a specific topic. While downloading Gm 4l85e Service Manual free PDF files is convenient, its important to note that copyright laws must be respected. Always ensure that the PDF files you download are legally available

for free. Many authors and publishers voluntarily provide free PDF versions of their work, but it's essential to be cautious and verify the authenticity of the source before downloading Gm 4l85e Service Manual. In conclusion, the internet offers numerous platforms and websites that allow users to download free PDF files legally. Whether it's classic literature, research papers, or magazines, there is something for everyone. The platforms mentioned in this article, such as Project Gutenberg, Open Library, Academia.edu, and Issuu, provide access to a vast collection of PDF files. However, users should always be cautious and verify the legality of the source before downloading Gm 4l85e Service Manual any PDF files. With these platforms, the world of PDF downloads is just a click away.

### **FAQs About Gm 4l85e Service Manual Books**

**What is a Gm 4l85e Service Manual PDF?** A PDF (Portable Document Format) is a file format developed by Adobe that preserves the layout and formatting of a document, regardless of the software, hardware, or operating system used to view or print it. **How do I create a Gm 4l85e Service Manual PDF?** There are several ways to create a PDF: Use software like Adobe Acrobat, Microsoft Word, or Google Docs, which often have built-in PDF creation tools. Print to PDF: Many applications and operating systems have a "Print to PDF" option that allows you to save a document as a PDF file instead of printing it on paper. Online converters: There are various online tools that can convert different file types to PDF. **How do I edit a Gm 4l85e Service Manual PDF?** Editing a PDF can be done with software like Adobe Acrobat, which allows direct editing of text, images, and other elements within the PDF. Some free tools, like PDFescape or Smallpdf, also offer basic editing capabilities. **How do I convert a Gm 4l85e Service Manual PDF to another file format?** There are multiple ways to convert a PDF to another format: Use online converters like Smallpdf, Zamzar, or Adobe Acrobat's export feature to convert PDFs to formats like Word, Excel, JPEG, etc. Software like Adobe Acrobat, Microsoft Word, or other PDF editors may have options to export or save PDFs in different formats. **How do I password-protect a Gm 4l85e Service Manual PDF?** Most PDF editing software allows you to add password protection. In Adobe Acrobat, for instance, you can go to "File" -> "Properties" -> "Security" to set a password to restrict access or editing capabilities. Are there any free alternatives to Adobe Acrobat for working with PDFs? Yes, there are many free alternatives for working with PDFs, such as: LibreOffice: Offers PDF editing features. PDFsam: Allows splitting, merging, and editing PDFs. Foxit Reader: Provides basic PDF viewing and editing capabilities. How do I compress a PDF file? You can use online tools like Smallpdf, iLovePDF, or desktop software like Adobe Acrobat to compress PDF files without significant quality loss. Compression reduces the file size, making it easier to share and download. Can I fill out forms in a PDF file? Yes, most PDF viewers/editors like Adobe Acrobat, Preview (on Mac), or various online tools allow you to fill out forms in PDF files by selecting text fields and entering information. Are there any



restrictions when working with PDFs? Some PDFs might have restrictions set by their creator, such as password protection, editing restrictions, or print restrictions. Breaking these restrictions might require specific software or tools, which may or may not be legal depending on the circumstances and local laws.

### **Find Gm 4l85e Service Manual :**

[ms 137 summer packet 7](#)

[mozambique swaziland avec cartes photos avis des lecteurs](#)

[mpsc exam 2009 question paper](#)

[mr site user manual](#)

[motorola vip2250 manual](#)

[mr perfect mr men and little miss book english edition](#)

[mr greedy mr men and little miss book english edition](#)

[motorola w418g manual](#)

**motorola xpvt owners manual**

**mountfield 25 manual**

**mountfield multiclip 501sp user guide**

[movie ticket flyer template](#)

[mpumalanga geography paper grade 10](#)

[mpman mp3 player owners manual](#)

[ms 0620 1m j 14 chemistry](#)

### **Gm 4l85e Service Manual :**

[eco 202 fall final exam with answers 2022 renewalcc - Jul 06 2022](#)

web of answers and test taking strategies feature 11 midterms and 11 final examination from top universities an introductory essay defining the nature and scope of the course

[eco202 tma jul 2021 semester eco economic ideas and - Jun 17 2023](#)

web eco economic ideas and models for business tutor marked assignment july 2021 presentation exam july 2018 answers managerial economics 100 9 2 eco201 formula sheet managerial economics 100 6 15 exam notes for eco201 managerial economics 100 6 english sg singapore company about us

**free eco 202 assessment test answers cyberlab sutd edu sg** - Oct 09 2022

web eco 202 assessment test answers tests and measurements in speech language pathology jan 05 2022 this clinical reference provides an in depth look at the tests and measurements used by speech language pathologists for patient assessment rather than being merely a compendium of common tests this text includes the theoretical

*answers to eco 202 assessment test answers book* - Apr 03 2022

web answers to eco 202 assessment test answers answers to eco 202 assessment test answers 2 downloaded from ead3 archivists org on 2022 09 26 by guest studying with our book you ll pass the ged or you ll get your money back the best practice more than 1 000 practice questions two full length practice tests one in the book and one

**eco 202 2 1 quiz this is the quiz notes for module 2** - Sep 08 2022

web on the following graph use the blue line circle symbol to plot andrew s production possibilities frontier ppf and use the purple line diamond symbol to plot beth s ppf in the following table enter each country s production decision on the third row of the table marked production

eco 202 macroeconomics university of toronto course - Jun 05 2022

web access study documents get answers to your study questions and connect with real tutors for eco 202 macroeconomics at university of toronto

eco202 applied econometrics unit guide academia edu - Dec 11 2022

web some economics lecturers have coped with this demand by adjusting the content of their courses in this paper we present a different approach adjusting the way we assess our students an experiment in self assessment was run in a third year econometrics class at rau university

**econ202 ukzn economics 202 studocu** - May 04 2022

web answers economics 202 econ202 10 days ago a firm has the opportunity to invest r5 000 now and the investment will generate revenue of r3 224 in one year s time and a further r2 163 2 in two year s time the interest rate in both years is 4

*eco202 jan 2022 toa pdf course hero* - Feb 13 2023

web aug 1 2022 support your answers with a suitable diagram 7 marks ii if the marginal cost of producing the public good is 10 compute the optimal quantity of the public good how will your answer be different if the marginal cost is 30 instead 6 marks

*answers to eco 202 assessment test answers ibp usa full pdf* - Mar 02 2022

web this answers to eco 202 assessment test answers but end up in malicious downloads rather than enjoying a good book with a cup of coffee in the afternoon instead they juggled with some infectious virus inside their computer answers to eco 202 assessment test answers is available in our book collection an online access to it is set as public

**eco 202 assessment test answers orientation sutd edu** - Nov 10 2022

web this executive summary reviews the topics covered in this pdq summary on cancer genetics risk assessment and genetic counseling with hyperlinks to detailed sections below that describe the evidence on each topic identification of individuals for cancer genetics risk assessment and counseling

**eco 202 202 suss course hero** - Sep 20 2023

web access study documents get answers to your study questions and connect with real tutors for eco 202 202 at singapore university of social sciences

**eco 202 exam 1 unit 1 flashcards quizlet** - Mar 14 2023

web when economists say the quantity supplied of a product has increased they mean the price of the product has risen and consequently suppliers are producing more of it in exhibit 3 8 if there is a surplus of video games of 200 units the current price of video games must be 60 farmers can produce wheat and or rice

**eco202 specimen exam paper solutions eco eco specimen** - Oct 21 2023

web suggested answer to question 1 b ii the price elasticity of demand is 1 1 mark the demand is elastic 1 mark when price increases from 3 to 4 the revenue decreases from 270 to 240 1 mark total 3 marks suggested answer to question 1 b iii when demand is inelastic total revenue increases with price increases

**eco202 exam report jul2022 examination report** - Apr 15 2023

web eco202 exam report jul2022 examination report course eco202 economic ideas and models for business semester july semester 2022 part overall performance of economics econ 2001 machine element design ma3001 calculus iii mh2100 microeconomics mic or other sources to answer questions without assessing their

**solution eco 202 module 7 quiz studypool** - Jan 12 2023

web get help with homework questions from verified tutors 24 7 on demand access 20 million homework answers class notes and study guides in our notebank

**eco 202 important q a questions and answers eco 202 final exam** - Aug 19 2023

web students shared 69 documents in this course you may use a pencil to draw graphs allocate your time suppose that money supply growth continues to be higher in turkey than it is in the united states what does purchasing power parity imply will happen to the real and to the nominal

**eco202 toa question paper jul 2021 semester studocu** - May 16 2023

web eco201 seminar 3 participation question timed online assignment july semester 2021 wednesday 17 november 2021 10 00 am 12 30 pm this timed online assignment toa contains questions and comprises pages including cover page

**eco 202 final exam test bank questions and answers** - Aug 07 2022

web 1 suppose you have a question about some of the eco 202 course material that you want to ask your instructor the best way to communicate with the instructor is by a email b telephone c dropping by your instructors office d all of the above 2 students who successfully complete this course will be able to a distinguish positive and normative

[economics eco202 suss course hero](#) - Jul 18 2023

web access study documents get answers to your study questions and connect with real tutors for economics eco202 at singapore university of social sciences upload to study expert help

**the fourth protocol frederick forsyth google books** - Aug 03 2022

web plan aurora hatched in a remote dacha in the forest outside moscow and initiated with relentless brilliance and skill is a plan within a plan that in its spine chilling ingenuity breaches the

[the fourth protocol by frederick forsyth goodreads](#) - Jul 14 2023

web aug 1 1984 the fourth protocol by frederick forsyth another classic frederick forsyth thriller from the cold war era whose age both the actual publication date and the storyline take place during margaret thatcher s tenure as prime minister of the uk does not diminish the enjoyability of the novel

[the fourth protocol amazon co uk forsyth frederick](#) - Dec 07 2022

web apr 4 1996 buy the fourth protocol first edition by forsyth frederick isbn 9780099642619 from amazon s book store everyday low prices and free delivery on eligible orders

**amazon com the fourth protocol 9780553251135 forsyth frederick** - Feb 09 2023

web sep 1 1985 frederick forsyth writes novels of espionage and intrigue that enthrall the reader throughout the fourth protocol is no different like his other books it is masterfully detailed without being overwhelming

**the fourth protocol novel by forsyth britannica** - Mar 10 2023

web discussed in biography in frederick forsyth included the devil s alternative 1979 the fourth protocol 1984 film 1987 the negotiator 1989 the fist of god 1994 icon 1996 tv movie 2005 avenger 2003 tv movie 2006 the kill list 2013 and the fox 2018 among his read more

[the fourth protocol film wikipedia](#) - May 12 2023

web the fourth protocol is a 1987 british cold war spy film starring michael caine and pierce brosnan directed by john mackenzie it is based on the 1984 novel the fourth protocol by frederick forsyth plot in 1968 an east west

**the fourth protocol by frederick forsyth audible com** - Jan 28 2022

web plan aurora hatched in a remote dacha in the forest outside moscow and initiated with relentless brilliance and skill is a plan within a plan that in its spine chilling ingenuity breaches the ultra secret fourth protocol and turns the

**the fourth protocol by frederick forsyth penguin books australia** - Mar 30 2022

web apr 7 2011 a crack soviet agent placed under cover in a quiet english country town begins to assemble a jigsaw of devastation mi5 investigator john preston working against the most urgent of deadlines leads an operation to prevent the act of murderous destruction aimed at tumbling britain into revolution

**the fourth protocol by frederick forsyth books on google play** - Jul 02 2022

web a crack soviet agent placed under cover in a quiet english country town begins to assemble a jigsaw of devastation mi5 investigator john preston working against the most urgent of deadlines leads an operation to prevent the act of murderous destruction aimed at tumbling britain into revolution

**the fourth protocol audiobook written by frederick forsyth** - Feb 26 2022

web nov 2 2019 author bio frederick forsyth frederick forsyth is the 1 new york times bestselling author of several novels including the day of the jackal and the odessa file as well as short story collections and a memoir he is the winner of three edgar awards and in 2012 he won the diamond dagger award from the crime writers association a

**the fourth protocol kindle edition amazon co uk** - Apr 30 2022

web may 30 2011 frederick forsyth the fourth protocol kindle edition by frederick forsyth author format kindle edition 4 4 3 803 ratings see all formats and editions kindle edition 2 99 read with our free app audiobook 0 00 with audible membership the chilling thriller from an international bestselling phenomenon

the fourth protocol wikipedia - Aug 15 2023

web the fourth protocol is a thriller novel by british writer frederick forsyth published in august 1984 etymology the title refers to the 1968 nuclear non proliferation treaty which at least in the world of the novel contained four secret protocols *the fourth protocol forsyth frederick 1938 free download* - Apr 11 2023

web 447 pages 23 cm plan aurora hatched in a remote dacha in the forest outside moscow is a plan that in its spine chilling ingenuity breaches the ultra secret fourth protocol a crack soviet agent placed under cover in a quiet english country town begins to assemble a jigsaw of devastation

**the fourth protocol penguin books uk** - Jun 13 2023

web the fourth protocol find your perfect holiday read frederick forsyth the fourth protocol paperback shop now summary the chilling thriller from an international bestselling phenomenon a triumph of plot construction

*the fourth protocol by frederick forsyth open library* - Oct 05 2022

web feb 28 2023 the fourth protocol by frederick forsyth 1984 corgi corgi books edition in english

the fourth protocol itvx - Dec 27 2021

web the fourth protocol frederick forsyth s edgy spy story starring pierce brosnan in the cold war a ruthless agent tries to smuggle an atomic bomb into the uk while a spy catcher battles to stop him

*the fourth protocol wikiwand* - Sep 04 2022

web the fourth protocol is a thriller novel by british writer frederick forsyth published in august 1984

**the fourth protocol by frederick forsyth 9780553251135** - Nov 06 2022

web the fourth protocol by frederick forsyth 9780553251135 penguinrandomhouse com books it is a time of political unrest in great britain and behind the iron curtain an insidious plot is being hatched a plan so incendiary

*the fourth protocol first edition frederick forsyth* - Jun 01 2022

web jan 1 1984 frederick forsyth the fourth protocol first edition hardcover january 1 1984 by frederick forsyth author 3 397 ratings audiobook 0 00 free with your audible trial hardcover 6 28 11 used from 6 28 4 new from 46 24 4 collectible from 19 95 paperback 17 79 170 used from 1 54 13 new from 5 98 18 collectible from 10 79

**the fourth protocol frederick forsyth google books** - Jan 08 2023

web the wheels are in motion the pawns are in place and the countdown has begun toward an accident that could change the fact of british politics forever and trigger and collapse of the western

*beyond the pill a 30 day program to balance your ho pdf* - Apr 17 2022

web beyond the pill a 30 day program to balance your ho healing your body naturally after childbirth empire of pain cancer pain management contraceptive use by method 2019 healing pcos the hormone diet just get on the pill bottle of lies sweetening the pill the antianxiety food solution the happy hormone guide pain management and

**beyond the pill a 30 day program to balance your hormones** - May 31 2023

web 1 review for beyond the pill a 30 day program to balance your hormones reclaim your body and reverse the dangerous side effects of the birth control pill

**beyond the pill a 30 day program to balance your hormo** - Oct 04 2023

web jan 29 2019 transition into a nutrition and supplement program with more than 30 hormone balancing recipes featuring simple diet and lifestyle interventions ditch the pill is the first step to reversing the risky side effects of the pill finally finding hormonal health and getting your badass self back

**download pdf beyond the pill a 30 day program to balance your** - Jun 19 2022

web jun 3 2023 download book beyond the pill a 30 day program to balance your hormones reclaim your body and reverse the dangerous side effects of the birth control pill jolene brighten

**beyond the pill a 30 day program to balance your hormones** - Mar 29 2023

web amazon com beyond the pill a 30 day program to balance your hormones reclaim your body and reverse the dangerous side effects of the birth control pill audible audio edition jolene brighten dara rosenberg harperaudio books

**beyond the pill a 30 day program to balance your john r lee** - Mar 17 2022

web beyond the pill a 30 day program to balance your yeah reviewing a books beyond the pill a 30 day program to balance your could add your close associates listings this is just one of the solutions for you to be successful as understood feat does not recommend that you have wonderful points

**beyond the pill a 30 day program to balance your hormones reclaim** - Feb 25 2023

web feb 4 2020 beyond the pill is an extraordinary 30 day program for your period mood fertility and missing libido dr jolene brighten is leading the way in women s medicine with her innovative approach to hormones and getting off of birth control

**beyond the pill a 30 day program to balance your hormones** - Aug 02 2023

web jan 29 2019 beyond the pill a 30 day program to balance your hormones reclaim your body and reverse the dangerous side effects of the birth control pill audio cd unabridged january 29 2019 by jolene brighten nmd reader dara rosenberg reader 4 7 2 491 ratings see all formats and editions

**beyond the pill a 30 day program to balance your ho** - Jul 21 2022

web difficulty as sharpness of this beyond the pill a 30 day program to balance your ho can be taken as with ease as picked to act sweetening the pill holy grigg spall 2013 10 07 millions of healthy women take a powerful medication every day from their mid teens to menopause the pill but few know how this drug works or the potential side

beyond the pill a 30 day program to balance your hormones - Oct 24 2022

web beyond the pill a 30 day program to balance your hormones reclaim your body and reverse the dangerous side effects of the birth control pill jolene brighten

**beyond the pill a 30 day program to balance your hormones** - Apr 29 2023

web beyond the pill a 30 day program to balance your hormones reclaim your body and reverse the dangerous side effects of the birth control pill jolene brighten jan 2019

**pdf download beyond the pill a 30 day program to balance your** - Feb 13 2022

web may 17 2023 pdf ebook download beyond the pill a 30 day program to balance your hormones reclaim your body and reverse the dangerous side effects of the birth control pill by jolene

beyond the pill a 30 day program to balance your hormones - Sep 03 2023

web jan 29 2019 beyond the pill a 30 day program to balance your hormones reclaim your body and

**beyond the pill a 30 day program to balance your ho pdf** - Sep 22 2022

web beyond the pill a 30 day program to balance your ho the 4 hour body timothy ferriss 2010 12 14 1 new york times bestseller the game changing author of tribe of mentors teaches you how to reach your peak physical potential with minimum effort a practical crash course in how to reinvent yourself kevin kelly wired is it

[beyond the pill a 30 day program to balance your hormones](#) - Dec 26 2022

web transition into a nutrition and supplement program with more than 30 hormone balancing recipes featuring simple diet and lifestyle interventions beyond the pill is the first step to reversing the risky side effects of the pill finally finding hormonal health and getting your badass self back

**beyond the pill a 30 day program to balance your ho** - May 19 2022

web 4 beyond the pill a 30 day program to balance your ho 2022 10 18 find in this book the 30 day alzheimer s solution you can boost the power of your brain protect it from illness and jumpstart total body health including weight loss and improved sensory ability and mobility the 30 day alzheimer s solution is the first action oriented

**readers who enjoyed beyond the pill a 30 day program to balance your** - Nov 24 2022

web beyond the pill a 30 day program to balance your hormones reclaim your body and reverse the dangerous side effects of the birth control pill by jolene brighten 4 05 avg rating 2842 ratings

**beyond the pill a 30 day program to balance your hormones** - Jan 27 2023

web jan 29 2019 booktopia has beyond the pill a 30 day program to balance your hormones reclaim your body and reverse the dangerous side effects of the birth control pill by jolene brighten buy a discounted hardcover of beyond the pill online from australia s leading online bookstore

**beyond the pill a 30 day program to balance your hormones reclaim** - Jul 01 2023

web beyond the pill a 30 day program to balance your hormones reclaim your body and reverse the dangerous side effects of the birth control pill ebook written by jolene brighten read this book using google play books app on

[download pdf beyond the pill a 30 day program to balance your](#) - Aug 22 2022

web jan 17 2022 program to balance your hormones reclaim your body and reverse the dangerous side effects of copy link in description to download this book out of the 100 million women almost 11 million in the united states alone who are on the pill roughly 60 percent take it for non contraceptive reasons like painful periods endometriosis