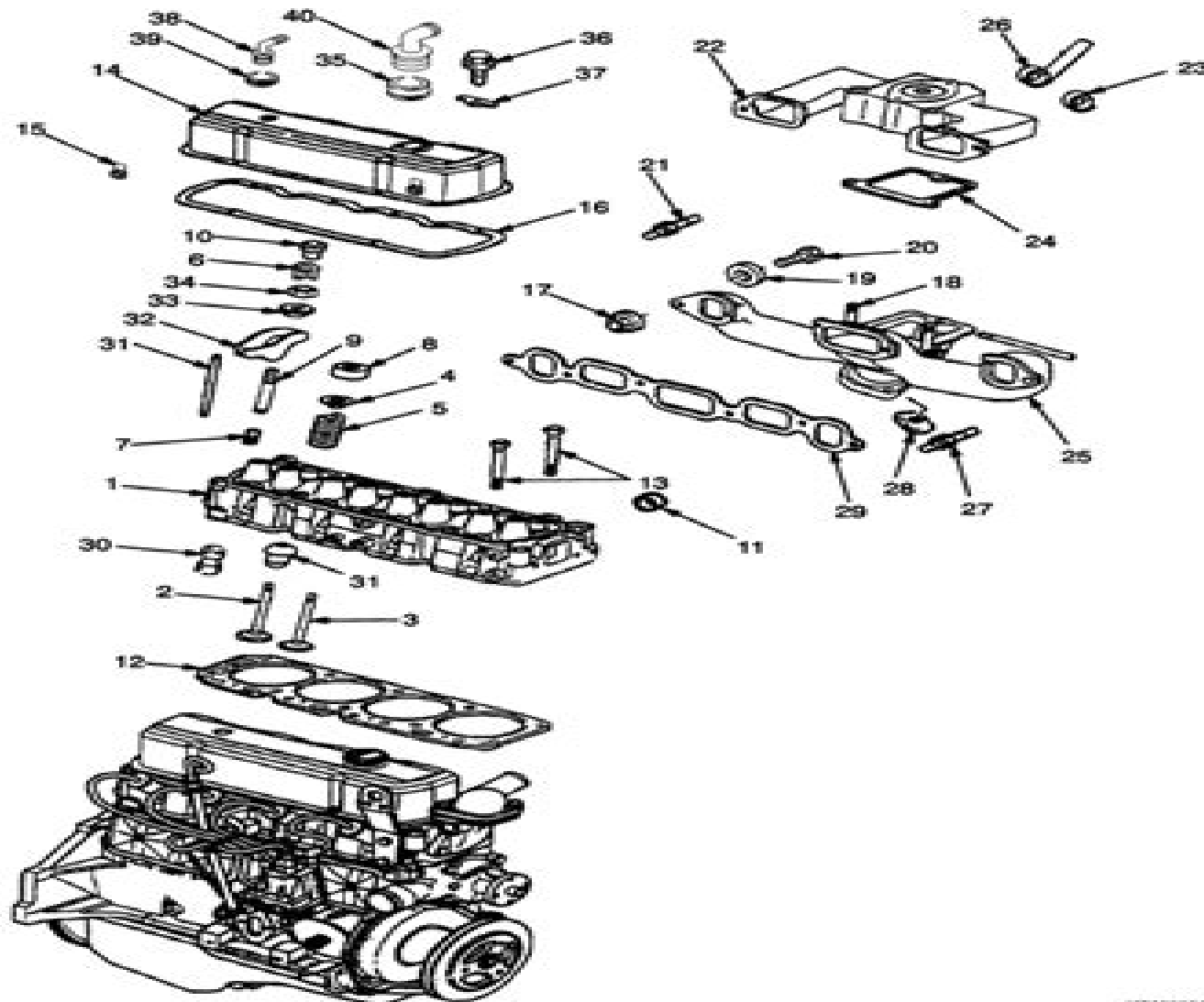


CYLINDER HEAD (Figure 2-39) GASOLINE AND LPG 3.0L 1996 THRU 1998 SERIES ENGINE



SP000584

Forklift Gm Engine Diagram

Michael Rajnik



Forklift Gm Engine Diagram:

Immerse yourself in heartwarming tales of love and emotion with Crafted by is touching creation, Tender Moments: **Forklift Gm Engine Diagram** . This emotionally charged ebook, available for download in a PDF format (PDF Size: *), is a celebration of love in all its forms. Download now and let the warmth of these stories envelop your heart.

https://staging.conocer.cide.edu/book/virtual-library/fetch.php/hp_325xi_printers_owners_manual.pdf

Table of Contents Forklift Gm Engine Diagram

1. Understanding the eBook Forklift Gm Engine Diagram
 - The Rise of Digital Reading Forklift Gm Engine Diagram
 - Advantages of eBooks Over Traditional Books
2. Identifying Forklift Gm Engine Diagram
 - Exploring Different Genres
 - Considering Fiction vs. Non-Fiction
 - Determining Your Reading Goals
3. Choosing the Right eBook Platform
 - Popular eBook Platforms
 - Features to Look for in an Forklift Gm Engine Diagram
 - User-Friendly Interface
4. Exploring eBook Recommendations from Forklift Gm Engine Diagram
 - Personalized Recommendations
 - Forklift Gm Engine Diagram User Reviews and Ratings
 - Forklift Gm Engine Diagram and Bestseller Lists
5. Accessing Forklift Gm Engine Diagram Free and Paid eBooks
 - Forklift Gm Engine Diagram Public Domain eBooks
 - Forklift Gm Engine Diagram eBook Subscription Services
 - Forklift Gm Engine Diagram Budget-Friendly Options
6. Navigating Forklift Gm Engine Diagram eBook Formats

- ePub, PDF, MOBI, and More
 - Forklift Gm Engine Diagram Compatibility with Devices
 - Forklift Gm Engine Diagram Enhanced eBook Features
7. Enhancing Your Reading Experience
 - Adjustable Fonts and Text Sizes of Forklift Gm Engine Diagram
 - Highlighting and Note-Taking Forklift Gm Engine Diagram
 - Interactive Elements Forklift Gm Engine Diagram
 8. Staying Engaged with Forklift Gm Engine Diagram
 - Joining Online Reading Communities
 - Participating in Virtual Book Clubs
 - Following Authors and Publishers Forklift Gm Engine Diagram
 9. Balancing eBooks and Physical Books Forklift Gm Engine Diagram
 - Benefits of a Digital Library
 - Creating a Diverse Reading Collection Forklift Gm Engine Diagram
 10. Overcoming Reading Challenges
 - Dealing with Digital Eye Strain
 - Minimizing Distractions
 - Managing Screen Time
 11. Cultivating a Reading Routine Forklift Gm Engine Diagram
 - Setting Reading Goals Forklift Gm Engine Diagram
 - Carving Out Dedicated Reading Time
 12. Sourcing Reliable Information of Forklift Gm Engine Diagram
 - Fact-Checking eBook Content of Forklift Gm Engine Diagram
 - Distinguishing Credible Sources
 13. Promoting Lifelong Learning
 - Utilizing eBooks for Skill Development
 - Exploring Educational eBooks
 14. Embracing eBook Trends
 - Integration of Multimedia Elements
 - Interactive and Gamified eBooks

Forklift Gm Engine Diagram Introduction

Forklift Gm Engine Diagram Offers over 60,000 free eBooks, including many classics that are in the public domain. Open Library: Provides access to over 1 million free eBooks, including classic literature and contemporary works. Forklift Gm Engine Diagram Offers a vast collection of books, some of which are available for free as PDF downloads, particularly older books in the public domain. Forklift Gm Engine Diagram : This website hosts a vast collection of scientific articles, books, and textbooks. While it operates in a legal gray area due to copyright issues, its a popular resource for finding various publications. Internet Archive for Forklift Gm Engine Diagram : Has an extensive collection of digital content, including books, articles, videos, and more. It has a massive library of free downloadable books. Free-eBooks Forklift Gm Engine Diagram Offers a diverse range of free eBooks across various genres. Forklift Gm Engine Diagram Focuses mainly on educational books, textbooks, and business books. It offers free PDF downloads for educational purposes. Forklift Gm Engine Diagram Provides a large selection of free eBooks in different genres, which are available for download in various formats, including PDF. Finding specific Forklift Gm Engine Diagram, especially related to Forklift Gm Engine Diagram, might be challenging as theyre often artistic creations rather than practical blueprints. However, you can explore the following steps to search for or create your own Online Searches: Look for websites, forums, or blogs dedicated to Forklift Gm Engine Diagram, Sometimes enthusiasts share their designs or concepts in PDF format. Books and Magazines Some Forklift Gm Engine Diagram books or magazines might include. Look for these in online stores or libraries. Remember that while Forklift Gm Engine Diagram, sharing copyrighted material without permission is not legal. Always ensure youre either creating your own or obtaining them from legitimate sources that allow sharing and downloading. Library Check if your local library offers eBook lending services. Many libraries have digital catalogs where you can borrow Forklift Gm Engine Diagram eBooks for free, including popular titles. Online Retailers: Websites like Amazon, Google Books, or Apple Books often sell eBooks. Sometimes, authors or publishers offer promotions or free periods for certain books. Authors Website Occasionally, authors provide excerpts or short stories for free on their websites. While this might not be the Forklift Gm Engine Diagram full book , it can give you a taste of the authors writing style. Subscription Services Platforms like Kindle Unlimited or Scribd offer subscription-based access to a wide range of Forklift Gm Engine Diagram eBooks, including some popular titles.

FAQs About Forklift Gm Engine Diagram Books

1. Where can I buy Forklift Gm Engine Diagram books? Bookstores: Physical bookstores like Barnes & Noble, Waterstones, and independent local stores. Online Retailers: Amazon, Book Depository, and various online bookstores

- offer a wide range of books in physical and digital formats.
2. What are the different book formats available? Hardcover: Sturdy and durable, usually more expensive. Paperback: Cheaper, lighter, and more portable than hardcovers. E-books: Digital books available for e-readers like Kindle or software like Apple Books, Kindle, and Google Play Books.
 3. How do I choose a Forklift Gm Engine Diagram book to read? Genres: Consider the genre you enjoy (fiction, non-fiction, mystery, sci-fi, etc.). Recommendations: Ask friends, join book clubs, or explore online reviews and recommendations. Author: If you like a particular author, you might enjoy more of their work.
 4. How do I take care of Forklift Gm Engine Diagram books? Storage: Keep them away from direct sunlight and in a dry environment. Handling: Avoid folding pages, use bookmarks, and handle them with clean hands. Cleaning: Gently dust the covers and pages occasionally.
 5. Can I borrow books without buying them? Public Libraries: Local libraries offer a wide range of books for borrowing. Book Swaps: Community book exchanges or online platforms where people exchange books.
 6. How can I track my reading progress or manage my book collection? Book Tracking Apps: Goodreads, LibraryThing, and Book Catalogue are popular apps for tracking your reading progress and managing book collections. Spreadsheets: You can create your own spreadsheet to track books read, ratings, and other details.
 7. What are Forklift Gm Engine Diagram audiobooks, and where can I find them? Audiobooks: Audio recordings of books, perfect for listening while commuting or multitasking. Platforms: Audible, LibriVox, and Google Play Books offer a wide selection of audiobooks.
 8. How do I support authors or the book industry? Buy Books: Purchase books from authors or independent bookstores. Reviews: Leave reviews on platforms like Goodreads or Amazon. Promotion: Share your favorite books on social media or recommend them to friends.
 9. Are there book clubs or reading communities I can join? Local Clubs: Check for local book clubs in libraries or community centers. Online Communities: Platforms like Goodreads have virtual book clubs and discussion groups.
 10. Can I read Forklift Gm Engine Diagram books for free? Public Domain Books: Many classic books are available for free as they're in the public domain. Free E-books: Some websites offer free e-books legally, like Project Gutenberg or Open Library.

Find Forklift Gm Engine Diagram :

hp 325xi printers owners manual

[hp 35665a manual](#)

[hp 500 multifunction printers accessory owners manual](#)

[hp cm4540 multifunction printers owners manual](#)

[hp cq60 342 laptops owners manual](#)

[hp 6500 officejet manual](#)

hp dv1000 mass storage driver repair guide

hp bc2500 desktops owners manual

[hp 48sx user manual](#)

[hp dv2640 laptops owners manual](#)

[hp compaq 6930p keyboard](#)

[hp dv6449 laptops owners manual](#)

[hp 80xl457 laptops owners manual](#)

[hp 6910p user guide](#)

[hp dv2007 laptops owners manual](#)

Forklift Gm Engine Diagram :

(655C) - ELECTRICAL SYSTEMS New Holland Agriculture (655C) - 4 CYL TRACTOR LOADER BACKHOE (11/88-8/93) (06) - ELECTRICAL SYSTEMS New Holland Agriculture. 1. LIGHT EQUIPMENT. 2. LOADER BACKHOES. Ford 455C, 555C, 655C Backhoe Service Manual The Ford 455C, 555C, 655C service manual provides OEM information for the correct servicing and overhaul of the tractor loader/backhoe, and is an essential ... New Holland Ford 455c 555c 655c service manual Nov 25, 2015 — Maintenance, New Holland Ford 455c 555c 655c Tractor Loader Backhoe Workshop Service Manual, Ford New Holland 455C 555C 655C Tractor Loader ... 4 CYL TRACTOR LOADER BACKHOE(11/88 - 08/93) Parts New Holland 655C - 4 CYL TRACTOR LOADER BACKHOE(11/88 - 08/93) Parts Diagrams. 4 CYL TRACTOR LOADER BACKHOE(11/88 - 08/93) Parts New Holland CE 655C - 4 CYL TRACTOR LOADER BACKHOE(11/88 - 08/93) Parts Diagrams. ... ELECTRICAL SYSTEMS, 06 - FRONT AXLE & STEERING, 07 - HYDRAULIC SYSTEMS, 08 ... ford 555c 655c tractor loader backhoe parts manual ... Parts Catalog for Ford Model 555C 655C Tractor Loader Backhoes See Listing Pictures for Complete Table of Contents This comprehensive manual has 564 Pages ... Ford 455C, 555C, 655C Tractor Loader Backhoe Service ... Aug 22, 2007 — Ford 455C, 555C, 655C Tractor Loader Backhoe Service Manual. SE 4282. Pages - 1,120. Color Diagrams Fold-Out Diagrams Section Tabs Ford 655 c shutoff - TractorByNet Nov 16, 2014 — I take the side covers off and i cant see any wires broken or damaged. After about 10 mins of messing with the hazzard and directional switches ... have a ford 655d backhoe, alternator

not charging, put new Aug 22, 2014 — Have a ford 655d backhoe, alternator not charging, put new one on nothing, cannot seem to find a wiring diagram to tell - Answered by a ... IGCSE & GCSE Accounting Revision Notes Each of the six accounts topic sections contains revision notes for the CIE Accounting (0452) examination: Part 1- Introduction to principles of accounting. ACCOUNTING IGCSE 0452 General Revision It is used to record all returns inwards. It is written up from the copies of the credit notes send to customers. 4. Purchases Return Journal (or. Accounting Notes - For Cambridge iGCSE and O Level ... This revision book is written according to the latest Accounting syllabus for the Cambridge iGCSE and O Level (7707) examinations from Year 2020 to 2022. need notes for accounting o level : r/igcse need notes for accounting o level ... Head to the r/IGCSE Resources repository for resources shared by users of the community. If you'd like to ... Cambridge IGCSE® and O Level Accounting Revision Guide This revision guide provides students with opportunities to consolidate their understanding of Accounting theory and boost confidence when applying it. Accounting 7707 New O Level Notes | CAIE PapaCambridge provides Cambridge O Level Accounting (7707) Notes and Resources that includes topical notes, unit wise notes, quick revision notes, detailed ... CAIE IGCSE Accounting 0452 Revision Notes Best free resources for Caie IGCSE Accounting 0452 including summarized notes, topical and past paper walk through videos by top students. O Level IGCSE Accounting Notes Final Nau | PDF | Business O Level IGCSE Accounting Notes Final Nau - Free download as PDF File (... Chemistry O Level Revision Notes ... Accounting - O Level Accounting Notes · Oyetunde ; 7110 Paper 2 Topical Questions till 2017 · Asif ; O Level Summary · Asif ; CAIE IGCSE Accounting (0452) ZNotes. Books of original entry revision notes IGCSE and GCSE Accounts Revision Notes and Quizes on the books of original entry. Dynamics of Mass Communication: Media in Transition Dynamics of Mass Communication: Media in Transition Dynamics of Mass Communication: Media in Transition ... Explore how the traditional mass media are dealing with shrinking audiences, evaporating advertising revenue and increased competition from the Internet. Dynamics of Mass Communication Media in Transition | Rent Rent Dynamics of Mass Communication 12th edition (978-0073526195) today, or search our site for other textbooks by Dominick. Every textbook comes with a ... Dynamics of Mass Communication: Media in Transition ... Dynamics of Mass Communication: Media in Transition 12th Edition is written by Dominick, Joseph and published by McGraw-Hill Higher Education. The Dynamics of mass communication : media in transition The Dynamics of mass communication : media in transition ; Author: Joseph R. Dominick ; Edition: 12th ed., International student edition View all formats and ... Dynamics of Mass Communication: Media in Transition Social media, 'apps' and the new media Goliaths are new and major themes of the 12th edition. Explore how the traditional mass media are dealing with shrinking ... The Dynamics of Mass Communication - Joseph R. Dominick This work provides an introduction to the field of mass communication. It covers the major media, from books, magazines and newspapers to radio, TV, ... (PDF) Dynamics-of-Mass-Communication-Media-in ... This course focuses on the complex relationships between media, society, and the individual. How do mass communication technologies, such as newspaper,

radio, ... Dynamics of Mass Communication: Media in Transition ... Dynamics of Mass Communication: Media in Transition (12th Edition). by Dominick, Joseph R. Used; Fine; Paperback. Condition: Fine; ISBN 10: 0073526193 ... Dynamics of Mass Communication: Media in Transition 12th Find 9780073526195 Dynamics of Mass Communication: Media in Transition 12th Edition by Joseph Dominick at over 30 bookstores. Buy, rent or sell.