

Colour codes

WH White	OG Orange
BU Blue	RD Red
GY Grey	PK Pink
YE Yellow	GN Green
BN Brown	VT Violet
BK Black	SR Silver
NA Natural	LG Light green

Key to items

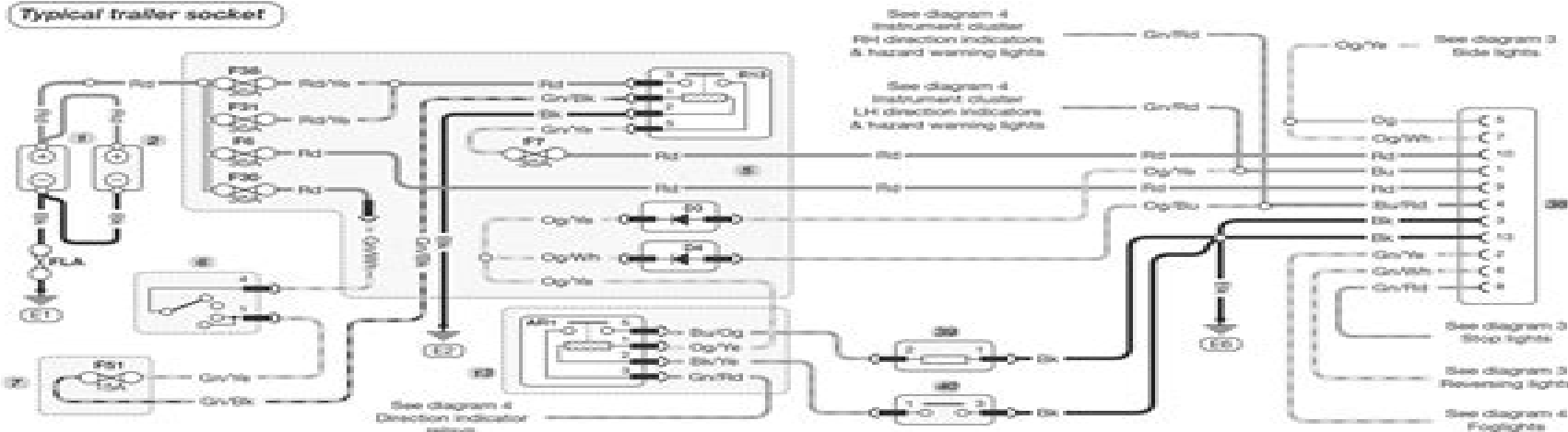
1 Battery no.1	13 Auxiliary fusebox
2 Battery no.2	AR1 = trailer tow relay
3 Engine fusebox	20 Light switch
D3 = trailer tow RH diode	a = side/headlight
D4 = trailer tow LH diode	38 Trailer socket
R13 = ignition relay	39 Trailer resistor
6 Ignition switch	40 Trailer microswitch
7 Passenger fusebox	41 Lights on warning buzzer

Diagram 5

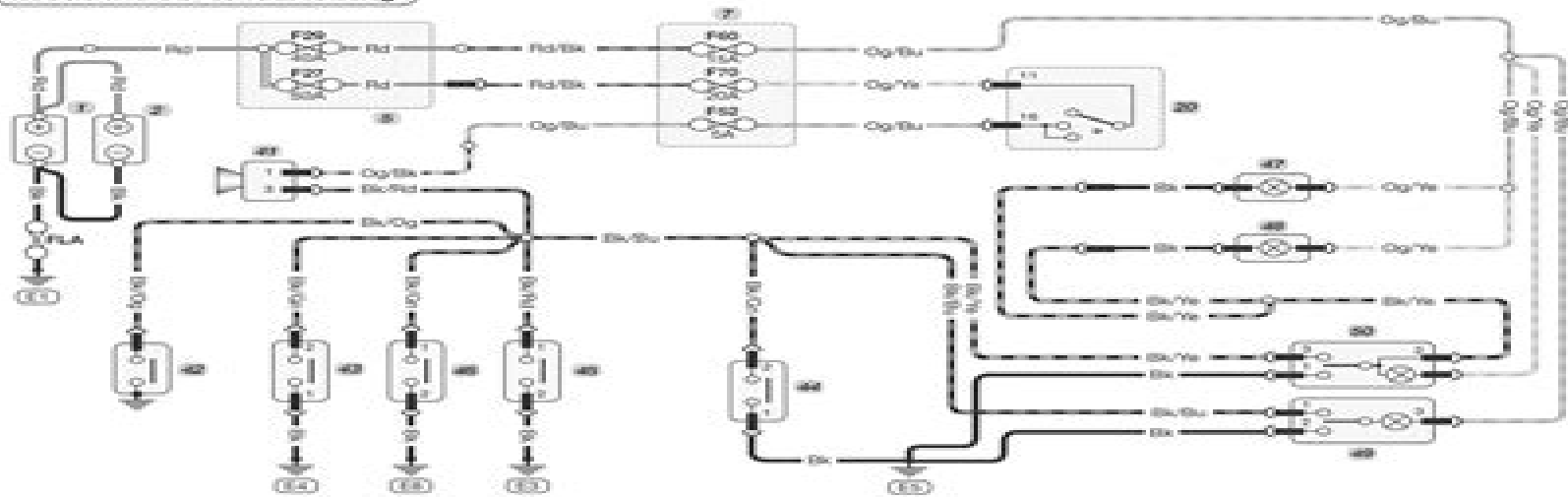
42 Rear courtesy light switch	50 Centre interior light
43 LH sliding door switch	
44 RH sliding door switch	
45 Driver's door ajar switch	
46 Passenger's door ajar switch	
47 LH rear door courtesy light	
48 RH rear door courtesy light	
49 Front interior light	

100000

Typical trailer socket



Typical interior lighting - models without central locking



# Ford Transit 2013 Wiring Diagram

**Lei Shi**



## **Ford Transit 2013 Wiring Diagram:**

Delve into the emotional tapestry woven by Crafted by in Dive into the Emotion of **Ford Transit 2013 Wiring Diagram** . This ebook, available for download in a PDF format ( \*), is more than just words on a page; it's a journey of connection and profound emotion. Immerse yourself in narratives that tug at your heartstrings. Download now to experience the pulse of each page and let your emotions run wild.

[https://staging.conocer.cide.edu/data/browse/HomePages/lg\\_47ls5600\\_560s\\_560t\\_5620\\_led\\_lcd\\_tv\\_service\\_manual.pdf](https://staging.conocer.cide.edu/data/browse/HomePages/lg_47ls5600_560s_560t_5620_led_lcd_tv_service_manual.pdf)

## **Table of Contents Ford Transit 2013 Wiring Diagram**

1. Understanding the eBook Ford Transit 2013 Wiring Diagram
  - The Rise of Digital Reading Ford Transit 2013 Wiring Diagram
  - Advantages of eBooks Over Traditional Books
2. Identifying Ford Transit 2013 Wiring Diagram
  - Exploring Different Genres
  - Considering Fiction vs. Non-Fiction
  - Determining Your Reading Goals
3. Choosing the Right eBook Platform
  - Popular eBook Platforms
  - Features to Look for in an Ford Transit 2013 Wiring Diagram
  - User-Friendly Interface
4. Exploring eBook Recommendations from Ford Transit 2013 Wiring Diagram
  - Personalized Recommendations
  - Ford Transit 2013 Wiring Diagram User Reviews and Ratings
  - Ford Transit 2013 Wiring Diagram and Bestseller Lists
5. Accessing Ford Transit 2013 Wiring Diagram Free and Paid eBooks
  - Ford Transit 2013 Wiring Diagram Public Domain eBooks
  - Ford Transit 2013 Wiring Diagram eBook Subscription Services
  - Ford Transit 2013 Wiring Diagram Budget-Friendly Options

6. Navigating Ford Transit 2013 Wiring Diagram eBook Formats
  - ePub, PDF, MOBI, and More
  - Ford Transit 2013 Wiring Diagram Compatibility with Devices
  - Ford Transit 2013 Wiring Diagram Enhanced eBook Features
7. Enhancing Your Reading Experience
  - Adjustable Fonts and Text Sizes of Ford Transit 2013 Wiring Diagram
  - Highlighting and Note-Taking Ford Transit 2013 Wiring Diagram
  - Interactive Elements Ford Transit 2013 Wiring Diagram
8. Staying Engaged with Ford Transit 2013 Wiring Diagram
  - Joining Online Reading Communities
  - Participating in Virtual Book Clubs
  - Following Authors and Publishers Ford Transit 2013 Wiring Diagram
9. Balancing eBooks and Physical Books Ford Transit 2013 Wiring Diagram
  - Benefits of a Digital Library
  - Creating a Diverse Reading Collection Ford Transit 2013 Wiring Diagram
10. Overcoming Reading Challenges
  - Dealing with Digital Eye Strain
  - Minimizing Distractions
  - Managing Screen Time
11. Cultivating a Reading Routine Ford Transit 2013 Wiring Diagram
  - Setting Reading Goals Ford Transit 2013 Wiring Diagram
  - Carving Out Dedicated Reading Time
12. Sourcing Reliable Information of Ford Transit 2013 Wiring Diagram
  - Fact-Checking eBook Content of Ford Transit 2013 Wiring Diagram
  - Distinguishing Credible Sources
13. Promoting Lifelong Learning
  - Utilizing eBooks for Skill Development
  - Exploring Educational eBooks
14. Embracing eBook Trends
  - Integration of Multimedia Elements

- 
- Interactive and Gamified eBooks

## **Ford Transit 2013 Wiring Diagram Introduction**

Free PDF Books and Manuals for Download: Unlocking Knowledge at Your Fingertips In today's fast-paced digital age, obtaining valuable knowledge has become easier than ever. Thanks to the internet, a vast array of books and manuals are now available for free download in PDF format. Whether you are a student, professional, or simply an avid reader, this treasure trove of downloadable resources offers a wealth of information, conveniently accessible anytime, anywhere. The advent of online libraries and platforms dedicated to sharing knowledge has revolutionized the way we consume information. No longer confined to physical libraries or bookstores, readers can now access an extensive collection of digital books and manuals with just a few clicks. These resources, available in PDF, Microsoft Word, and PowerPoint formats, cater to a wide range of interests, including literature, technology, science, history, and much more. One notable platform where you can explore and download free Ford Transit 2013 Wiring Diagram PDF books and manuals is the internet's largest free library. Hosted online, this catalog compiles a vast assortment of documents, making it a veritable goldmine of knowledge. With its easy-to-use website interface and customizable PDF generator, this platform offers a user-friendly experience, allowing individuals to effortlessly navigate and access the information they seek. The availability of free PDF books and manuals on this platform demonstrates its commitment to democratizing education and empowering individuals with the tools needed to succeed in their chosen fields. It allows anyone, regardless of their background or financial limitations, to expand their horizons and gain insights from experts in various disciplines. One of the most significant advantages of downloading PDF books and manuals lies in their portability. Unlike physical copies, digital books can be stored and carried on a single device, such as a tablet or smartphone, saving valuable space and weight. This convenience makes it possible for readers to have their entire library at their fingertips, whether they are commuting, traveling, or simply enjoying a lazy afternoon at home. Additionally, digital files are easily searchable, enabling readers to locate specific information within seconds. With a few keystrokes, users can search for keywords, topics, or phrases, making research and finding relevant information a breeze. This efficiency saves time and effort, streamlining the learning process and allowing individuals to focus on extracting the information they need. Furthermore, the availability of free PDF books and manuals fosters a culture of continuous learning. By removing financial barriers, more people can access educational resources and pursue lifelong learning, contributing to personal growth and professional development. This democratization of knowledge promotes intellectual curiosity and empowers individuals to become lifelong learners, promoting progress and innovation in various fields. It is worth noting that while accessing free Ford Transit 2013 Wiring Diagram PDF books and manuals is convenient and cost-effective, it is vital to respect copyright laws and intellectual property rights. Platforms offering free downloads often operate within legal

boundaries, ensuring that the materials they provide are either in the public domain or authorized for distribution. By adhering to copyright laws, users can enjoy the benefits of free access to knowledge while supporting the authors and publishers who make these resources available. In conclusion, the availability of Ford Transit 2013 Wiring Diagram free PDF books and manuals for download has revolutionized the way we access and consume knowledge. With just a few clicks, individuals can explore a vast collection of resources across different disciplines, all free of charge. This accessibility empowers individuals to become lifelong learners, contributing to personal growth, professional development, and the advancement of society as a whole. So why not unlock a world of knowledge today? Start exploring the vast sea of free PDF books and manuals waiting to be discovered right at your fingertips.

### **FAQs About Ford Transit 2013 Wiring Diagram Books**

1. Where can I buy Ford Transit 2013 Wiring Diagram books? Bookstores: Physical bookstores like Barnes & Noble, Waterstones, and independent local stores. Online Retailers: Amazon, Book Depository, and various online bookstores offer a wide range of books in physical and digital formats.
2. What are the different book formats available? Hardcover: Sturdy and durable, usually more expensive. Paperback: Cheaper, lighter, and more portable than hardcovers. E-books: Digital books available for e-readers like Kindle or software like Apple Books, Kindle, and Google Play Books.
3. How do I choose a Ford Transit 2013 Wiring Diagram book to read? Genres: Consider the genre you enjoy (fiction, non-fiction, mystery, sci-fi, etc.). Recommendations: Ask friends, join book clubs, or explore online reviews and recommendations. Author: If you like a particular author, you might enjoy more of their work.
4. How do I take care of Ford Transit 2013 Wiring Diagram books? Storage: Keep them away from direct sunlight and in a dry environment. Handling: Avoid folding pages, use bookmarks, and handle them with clean hands. Cleaning: Gently dust the covers and pages occasionally.
5. Can I borrow books without buying them? Public Libraries: Local libraries offer a wide range of books for borrowing. Book Swaps: Community book exchanges or online platforms where people exchange books.
6. How can I track my reading progress or manage my book collection? Book Tracking Apps: Goodreads, LibraryThing, and Book Catalogue are popular apps for tracking your reading progress and managing book collections. Spreadsheets: You can create your own spreadsheet to track books read, ratings, and other details.
7. What are Ford Transit 2013 Wiring Diagram audiobooks, and where can I find them? Audiobooks: Audio recordings of

- 
- books, perfect for listening while commuting or multitasking. Platforms: Audible, LibriVox, and Google Play Books offer a wide selection of audiobooks.
8. How do I support authors or the book industry? Buy Books: Purchase books from authors or independent bookstores. Reviews: Leave reviews on platforms like Goodreads or Amazon. Promotion: Share your favorite books on social media or recommend them to friends.
  9. Are there book clubs or reading communities I can join? Local Clubs: Check for local book clubs in libraries or community centers. Online Communities: Platforms like Goodreads have virtual book clubs and discussion groups.
  10. Can I read Ford Transit 2013 Wiring Diagram books for free? Public Domain Books: Many classic books are available for free as they're in the public domain. Free E-books: Some websites offer free e-books legally, like Project Gutenberg or Open Library.

### **Find Ford Transit 2013 Wiring Diagram :**

**lg 47ls5600 560s 560t 5620 led lcd tv service manual**

lewes and evesham simon de montfort and the barons war

lexus is250 vsc problem

*lexmark e250d e252dn service and repair manual*

level biology f211 june 2004 mark scheme

**lexmark x65x service manual**

lettre agrave heacuterodote

*lewenswetenskappe vrae met die memo graad11 vir 2014*

*lexus ls 460 manual*

**levangile de matthieu iii quel evangile perfectionne les chretiens**

*lexpeacuterience dynamique complexiteacute neurodynamique et estheacutetique*

**lexmark optra s printer service manual**

lettres dun innocent

**lexus sc4repair manual**

levenspiel solution manual netload



---

**Ford Transit 2013 Wiring Diagram :**

[i medici una regina al potere strukul matteo libreria](#) - Dec 11 2022

web la saga completa una dinastia al potere una regina al potere un uomo al potere decadenza di una famiglia è un ebook di strukul matteo pubblicato da newton

*i medici una regina al potere overdrive* - Nov 29 2021

web i medici una regina al potere ebook written by matteo strukul read this book using google play books app on your pc android ios devices download for offline reading

[i medici la saga completa una dinastia al potere una regina al](#) - Oct 09 2022

web i medici la saga completa una dinastia al potere una regina al potere un uomo al potere decadenza di una famiglia è un ebook di matteo strukul pubblicato da newton

**i medici una regina al potere 9788854195080 books amazon ca** - Jun 05 2022

web i medici una regina al potere 9788822748010 books amazon ca skip to main content ca hello select your address books select the department you want to search

*i medici una regina al potere by matteo strukul goodreads* - Sep 20 2023

web jan 1 2017 921 ratings71 reviews francia 1536 quando il delfino francesco di valois viene ucciso la posizione di caterina de medici a corte si complica È la prima a essere

**i medici una regina al potere strukul matteo amazon it libri** - Feb 01 2022

web i medici la saga completa una dinastia al potere un uomo al potere una regina al potere decadenza di una famiglia è un libro di matteo strukul pubblicato da newton

*i medici la saga completa una dinastia al potere libreria ibs* - Dec 31 2021

web jan 12 2017 la saga sui medici che comprende una dinastia al potere vincitore del premio bancarella 2017 un uomo al potere una regina al potere e decadenza di

[i medici una regina al potere strukul matteo amazon it libri](#) - Jul 18 2023

web francia 1536 quando il delfino francesco di valois viene ucciso la posizione di caterina de medici a corte si complica È la prima a essere sospettata dell assassinio ma

*i medici una regina al potere 9788822748010 books amazon ca* - May 04 2022

web nov 17 2017 una regina al potere dopo cosimo e lorenzo dei medici negli ultimi due romanzi della tetralogia matteo strukul ci racconta due grandi donne della famiglia

*i medici una regina al potere strukul matteo amazon it libri* - Jun 17 2023

web i medici una regina al potere strukul matteo amazon it libri libri libri universitari umanistica scegli il tuo indirizzo

visualizza l'immagine segui l'autore matteo strukul i

**i medici series by matteo strukul goodreads** - Jan 12 2023

web by matteo strukul 3 86 132 ratings 14 reviews 2 editions la grande parabola del rinascimento attraverso l'e and want to read rate it i medici una dinastia al potere i

**i medici una regina al potere matteo strukul google books** - Apr 15 2023

web la saga sui medici che comprende una dinastia al potere vincitore del premio bancarella 2017 un uomo al potere una regina al potere e decadenza di una famiglia è

*i medici la saga completa una dinastia al potere una* - Nov 10 2022

web i medici la saga completa una dinastia al potere una regina al potere un uomo al potere decadenza di una famiglia strukul matteo amazon it giochi e giocattoli

**i medici una regina al potere formato kindle amazon it** - May 16 2023

web un grande romanzo storico francia 1536 quando il delfino francesco di valois viene ucciso la posizione di caterina de medici a corte si complica È la prima a essere

*i medici una regina al potere italian edition kindle edition* - Jul 06 2022

web i medici una regina al potere 9788854195080 books amazon ca skip to main content ca hello select your address books select the department you want to search

**i medici una regina al potere vol 3 della saga dei medici** - Apr 03 2022

web i medici una regina al potere è un libro di matteo strukul pubblicato da newton compton editori nella collana king acquista su ibs a 3 90

**i medici una regina al potere amazon com** - Feb 13 2023

web jan 12 2017 i medici una regina al potere strukul matteo on amazon com free shipping on qualifying offers i medici una regina al potere

**i medici la saga completa una dinastia al potere una regina al** - Mar 14 2023

web la grande parabola del rinascimento attraverso l'epopea di una famiglia che è stata in grado di lasciare la sua indelebile impronta nella storia d'europa dalle origini di

**i medici una regina al potere matteo strukul libreria ibs** - Mar 02 2022

web i medici la saga completa una dinastia al potere una regina al potere un uomo al potere decadenza di una famiglia

[i medici una regina al potere matteo strukul libreria ibs](#) - Aug 19 2023

web i medici una regina al potere è un libro di matteo strukul pubblicato da newton compton editori nella collana nuova narrativa newton acquista su ibs a 9 40

*i medici una regina al potere strukul matteo lafeltrinelli* - Aug 07 2022

web jan 12 2017 buy i medici una regina al potere italian edition read kindle store reviews amazon com

[i medici una regina al potere google play](#) - Oct 29 2021

**recensioni i medici la saga completa una dinastia al potere** - Sep 08 2022

web i medici una regina al potere è un ebook di strukul matteo pubblicato da newton compton editori nella collana enewton narrativa a 3 99 il file è in formato epub2 con

[grade9 exambank](#) - Aug 23 2022

web science 9 notes from lord byng sec following the bc science 9 curriculum unit 1 chapter 1 atomic theory explains the composition and behaviour of matter fresh

*rbse solutions for class 9 science in hindi medium english* - Dec 15 2021

*atoms elements and compounds set bc* - Jan 28 2023

web june 7th 2018 study bc science 9 chapter 7 flashcards at proprofs bc science 9 chapter 7 page 292 practice problems 9 1 1 page 295 9 1 review questions june 2nd

[bc science 9 chapter 9 re 2023 forms asmedu](#) - Feb 14 2022

web rbse class 9 science solutions in english medium chapter 1 matter in our surroundings chapter 2 is matter around us pure chapter 3 atoms and molecules chapter 4

**bc science 9 pre publication booklet** - Aug 03 2023

web notes section 9 2 textbook 9 2 check your understanding p 329 17 10 may 2019 fri textbook chapter 9 review p 330 331 18 14 may 2019 tue textbook unit 3

*bc science 9 chapter 11 flashcards quizlet* - Apr 18 2022

web bc science 9 chapter 9 re selected works of joseph e stiglitz joseph e stiglitz 2019 04 11 this is the third volume in a new definitive six volume edition of the works of

**bc science 9 chapter 9 review full pdf cyberlab sutd edu sg** - Jul 22 2022

web chemical energy is transformed into electric potential energy 2 in a battery what form of energy is converted into electric potential energy the amount of electric potential

**bc science 9 chapter 9 review orientation sutd edu sg** - Nov 25 2022

web 1 43 anything that has mass and volume click the card to flip flashcards learn test match created by acepilot12 science 9 notes from lord byng sec following the bc science 9

---

[bc science 9 chapter 8 review flashcards quizlet](#) - May 20 2022

web bc science 9

**bc science 9 chapter 1 flashcards quizlet** - Jun 20 2022

web vocabulary for chapter 11 of bc science 9 learn with flashcards games and more for free

**science 9 physics mr lam s classroom vancouver school** - Jul 02 2023

web bc science 9 workbook answers comprehension unit 1 atoms elements and safety do s and don ts compounds page 5

chapter 1 atomic theory explains the 1 unsafe

*building student success b c curriculum* - Apr 30 2023

web jun 9 2017 bibliographic information title bc science 9 connections work book author mcgraw hill ryerson limited

publisher mcgraw hill ryerson limited 2017

[bc science 9 chapter 9 flashcards quizlet](#) - Sep 04 2023

web power the rate of change in energy at which work is done joule j the unit for measuring energy watt w one joule j of energy transformed in one second electrical power

**chapter 2 elements are the building blocks of matter bc** - Mar 18 2022

web jan 9 2019 bharat and science short answer type questions question 16 write the two important works done by

bhaskaracharya i answer 1 bhaskaracharya i gave the pell s

**bc science 9 connections work book google books** - Feb 26 2023

web integrated physics and chemistry chapter 9 activities feb 07 2020 key topics keeping time calendar sundials hourglasses

clocks navigation sound frequency pitch sound

*bc science 9 chemistry unit study guide pdf ion* - Mar 30 2023

web this activity supports the ministry of education learning outcomes for grade 9 physical science atoms elements and compounds use modern atomic theory to describe

**bc science 9 chapter 1 flashcards quizlet** - Nov 13 2021

**bc science 9 ms campbell s lessons oneschoolroom** - Oct 25 2022

web start test reading comprehension mino ta kiyah by grey owl short story chapter 3 of 3 10 questions randomized from 30 overall top scores start test reading

**bc science 9 chapter 9 review full pdf cyberlab sutd edu sg** - Dec 27 2022

web bc science 9 ms campbell s lessons british columbia s grade 9 science curriculum bc science 9 quizlet lab safety metric system scientific method

**science 9 mrs n gill** - Oct 05 2023

web practice your skills using the student centre link on the bc science probe website click on the link below bc science probe 9 safety scientific method notes

**bc science 9 workbook answers pdf mitosis ion scribd** - Jun 01 2023

web personal awareness and responsibility positive personal and cultural identity social awareness and responsibility students are expected to know the following students

*rbse solutions for class 9 science chapter 1 bharat and science* - Jan 16 2022

web bc science 9 chapter 1 science 9 notes from lord byng sec following the bc science 9 curriculum unit 1 chapter 1 atomic theory explains the composition and behaviour of

**bc science 9 chapter 1 flashcards quizlet** - Sep 23 2022

web bc science 9 chapter 9 review lecture notes class 9 biology pdf book grade 9 biology ebook download sep 29 2021 the book class 9 biology lecture notes pdf

*top 10 motherboard laptop repairing chip level courses in* - Feb 26 2022

web laptop chip level multitech institute new delhi chip level repairing 3 months kss infotech bangalore chip level sk computer technologies hardware and networking institute chennai mobile phone and laptop chip level 1 month saffron technical institute mumbai 3 chip level training 12 days rs 12500 shri ram institute of

[chiptroniks chip level laptop repairing course](#) - Oct 05 2022

web chip level repairing chiptroniks chip level laptop repairing course is focussed on sound repairing concepts and backed by training on standard and advanced tools basic electronics analog electronics ac dc fundamentals introduction of electricity volt current watt ampere what is pcb circuit type of pcb circuit

**chip level laptop repairs understanding 3 3 5volt circuit** - Jun 13 2023

web mar 17 2023 the 3 3 and 5 volts chip level laptop motherboard repair course is designed for both beginners and professionals seeking to enhance their chip level repair skills while prior knowledge of schematics diagrams is not required it can make the course easier to

**laptop motherboard repair technician course udemy** - Feb 09 2023

web cpu core voltages graphics core voltages vccp vtt vccpsa voltages are covered run voltages vs voltages also includedtroubleshooting lessons gives you a thorough knowledge of the motherboard anyone can repair any motherboard with confidence almost every theory aspects of lessons for learning laptop motherboard repair are included

*computer motherboard repairing crash course for beginners* - Mar 10 2023

web computer motherboard repairing crash course for beginners computer hardware technician circuits for beginners chip

level repairing electronics basic troubleshooting rating 4 4 out of 5 4 4 14 ratings

*chip level repairing chip level motherboard repairing in delhi* - Apr 30 2022

web chip level repairing we provide chip level repairing services like as laptop desktop lcd monitor smps adapter ram hard disk server system barco projection systems printer and cctv cameras etc cctv cctv cameras installation and repairing networking lan wireless lan vpn

*advance mobile chip level repairing course mrmmtti* - Mar 30 2022

web in mobile repairing course we are teaching all types of smart phones mechanisms chip level service training and flashing methods all generation 918892200661 info mrmmtti in make an appointment

**learn laptop repairing component level udemy** - Dec 07 2022

web chip level laptop repairing including disassembling identifying components and troubleshooting

**chiplevel laptop repairing training practical youtube** - Jan 08 2023

web chip level laptop repairing training practical online course in english as well as in hindi this video demonstrates how to solve a dead laptop motherboard step by step this a hp 15 u81

**laptop repairing dead laptop repair advanced laptop chip level** - Aug 15 2023

web aug 14 2023 welcome to our youtube channel dedicated to all things laptop chip level repair and diagnostics more more how to repair dead motherboard motherboard chip level repairing

chip level repairing in kolkata india business directory - Dec 27 2021

web chip level repair services megainfosys computer and laptop service center is specialized in repairing and servicing all types of computers and laptops throughout kolkata over a decade we provide the first class services you can get we provide exquisite fast reliable and less highly priced offerings

**top 10 online motherboard laptop repairing chip level** - Jun 01 2022

web top 10 online motherboard laptop repairing chip level courses looking for the best online motherboard laptop repairing chip level course here is a list of the top online platforms offering online motherboard laptop repairing chip level courses

*quora* - Aug 03 2022

web we would like to show you a description here but the site won t allow us

fix a laptop chip level repair 7 easy steps mr vlogger - Jul 14 2023

web jun 16 2023 1 check if the cpu is damaged if you re looking to troubleshoot a cpu issue on your laptop it s important to first check the level of the chip this guide will help you get started with that after checking the level of the chip you ll need to gather some tools and materials before starting repair work prepare for potential setbacks

**ultimate guide to laptop chip level repair 2021 academia edu** - May 12 2023

web we take you from basic electronic to chip level repair we cover the basic working concept of resistor capacitor and mosfet applied to laptop motherboard by the end of the book we will learn the 5 main faults of laptop board and how to solve them

**laptop chip level repairing training course** - Jul 02 2022

web laptop chip level repairing training course content module c1 computer basic hardware for freshers c1 basic computer hardware training short basics of electronics ac dc volt ampear multemeter used measurement fundamentals of computer defination generation classification

*chip level repairing chip level motherboard repairing in india* - Nov 06 2022

web chip level repairing chip level motherboard repairing providers in india get contact details and address of chip level repairing chip level motherboard repairing motherboard chip level repairing firms and companies

**home ecs technologies** - Jan 28 2022

web looking for the best laptop chip level repair training in hyderabad look no further our experienced faculty members provide hands on training using the latest tools and equipment preparing you for a successful career in laptop repair

chip level repairing tool short killer amazing tool chip level - Apr 11 2023

web oct 10 2021 contact us or send your laptops to dinesh yadavphone 918800428011engineers choice pvt ltd 304 a hemkunt chambers building no 89 nehru place new delhi

**chiplevels youtube** - Sep 04 2022

web welcome to chiplevels the ultimate destination for all things related to laptop repair mobile repair computer repair computer hardware training chip level laptop repairing mobile